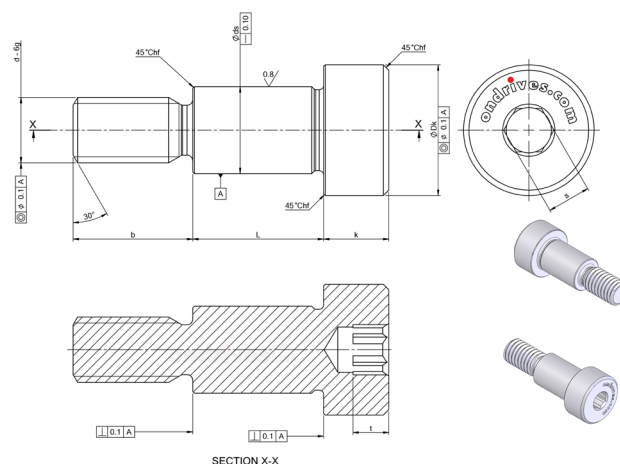
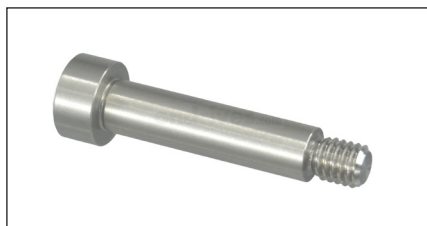
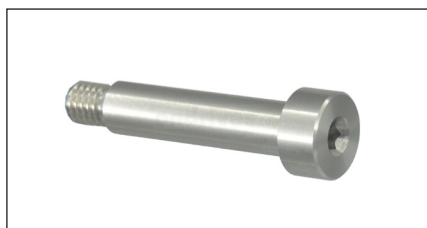


SHS17PH

# ondrives

Precision Gears

## Precision Shoulder Screws Hexagon Socket Head

17-4PH H1025 38HRC Stainless Steel Shoulder Screws **M2 - M4**

Part Numbers	Thread	Shoulder Diameter ds	Shoulder Length L	Head Diameter Dk	Head Length	Thread Length	Hexagon Socket	Hexagon Depth
<b>SHS17PH</b>	<b>Metric - 6g</b>	<b>+0.005/-0.025</b>	<b>+0.05/-0</b>		<b>k</b>	<b>b</b>	<b>s</b>	<b>t</b>
SHS17PH2-2	M2	Ø 2.987	2.013	Ø 5	2	4	1.5	1
SHS17PH2-4	M2	Ø 2.987	4.013	Ø 5	2	4	1.5	1
SHS17PH2-6	M2	Ø 2.987	6.013	Ø 5	2	4	1.5	1
SHS17PH2-8	M2	Ø 2.987	8.013	Ø 5	2	4	1.5	1
SHS17PH2.5-4	M2.5	Ø 3.987	4.013	Ø 6	3	4	2	1.6
SHS17PH2.5-6	M2.5	Ø 3.987	6.013	Ø 6	3	4	2	1.6
SHS17PH2.5-8	M2.5	Ø 3.987	8.013	Ø 6	3	4	2	1.6
SHS17PH2.5-10	M2.5	Ø 3.987	10.013	Ø 6	3	4	2	1.6
SHS17PH2.5-12	M2.5	Ø 3.987	12.013	Ø 6	3	4	2	1.6
SHS17PH3-4	M3	Ø 3.987	4.013	Ø 6	3	4	2	1.6
SHS17PH3-5	M3	Ø 3.987	5.013	Ø 6	3	4	2	1.6
SHS17PH3-6	M3	Ø 3.987	6.013	Ø 6	3	4	2	1.6
SHS17PH3-8	M3	Ø 3.987	8.013	Ø 6	3	4	2	1.6
SHS17PH3-10	M3	Ø 3.987	10.013	Ø 6	3	4	2	1.6
SHS17PH3-12	M3	Ø 3.987	12.013	Ø 6	3	4	2	1.6
SHS17PH3-14	M3	Ø 3.987	14.013	Ø 6	3	4	2	1.6
SHS17PH3-16	M3	Ø 3.987	16.013	Ø 6	3	4	2	1.6
SHS17PH3-20	M3	Ø 3.987	20.013	Ø 6	3	4	2	1.6
SHS17PH3-25	M3	Ø 3.987	25.013	Ø 6	3	4	2	1.6
SHS17PH4-4	M4	Ø 4.987	4.013	Ø 8	4	5	2.5	2
SHS17PH4-5	M4	Ø 4.987	5.013	Ø 8	4	5	2.5	2
SHS17PH4-6	M4	Ø 4.987	6.013	Ø 8	4	5	2.5	2
SHS17PH4-8	M4	Ø 4.987	8.013	Ø 8	4	5	2.5	2
SHS17PH4-10	M4	Ø 4.987	10.013	Ø 8	4	5	2.5	2
SHS17PH4-12	M4	Ø 4.987	12.013	Ø 8	4	5	2.5	2
SHS17PH4-14	M4	Ø 4.987	14.013	Ø 8	4	5	2.5	2
SHS17PH4-16	M4	Ø 4.987	16.013	Ø 8	4	5	2.5	2
SHS17PH4-20	M4	Ø 4.987	20.013	Ø 8	4	5	2.5	2
SHS17PH4-25	M4	Ø 4.987	25.013	Ø 8	4	5	2.5	2
SHS17PH4-30	M4	Ø 4.987	30.013	Ø 8	4	5	2.5	2
SHS17PH4-40	M4	Ø 4.987	40.013	Ø 8	4	5	2.5	2

**Material:** 17-4PH H1025 Condition 38HRC (AMS5643) • AISI 630 • EN 1.4542 Martensitic Precipitation-Hardened Stainless Steel.

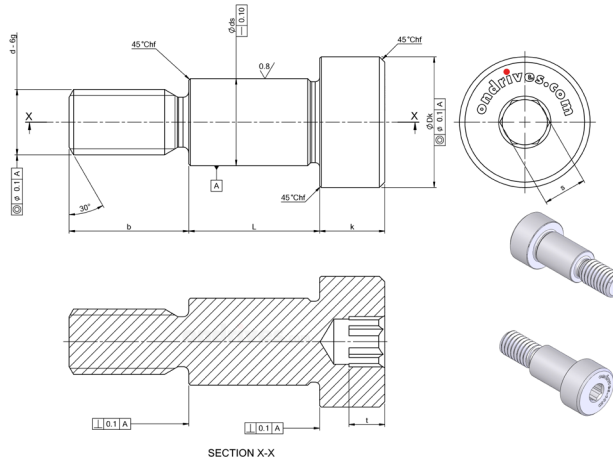
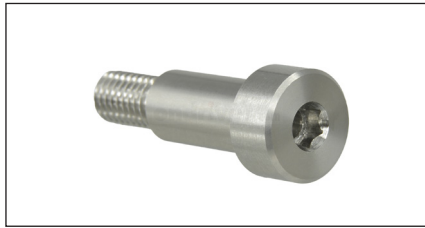
**ondrives**  
Precision Gears

T: +44 1246 455500  
sales@ondrives.com www.ondrives.com  
Updated March 2024 subject to change for use as a guide only.

303 Stainless Shoulder Screws

### Precision Shoulder Screws Hexagon Socket Head

17-4PH H1025 38HRC Stainless Steel Shoulder Screws **M5 - M6**



Part Numbers								
303 Stainless	Thread d	Shoulder Diameter ds	Shoulder Length L	Head Diameter Dk	Head Length	Thread Length	Hexagon Socket	Hexagon Depth
<b>SHS17PH</b>	<b>Metric - 6g</b>	<b>+0.005/-0.025</b>	<b>+0.05/-0</b>		<b>k</b>	<b>b</b>	<b>s</b>	<b>t</b>
SHS17PH5-4	M5	Ø 5.987	4.013	Ø 10	5	6	3	2.4
SHS17PH5-5	M5	Ø 5.987	5.013	Ø 10	5	6	3	2.4
SHS17PH5-6	M5	Ø 5.987	6.013	Ø 10	5	6	3	2.4
SHS17PH5-8	M5	Ø 5.987	8.013	Ø 10	5	6	3	2.4
SHS17PH5-10	M5	Ø 5.987	10.013	Ø 10	5	6	3	2.4
SHS17PH5-12	M5	Ø 5.987	12.013	Ø 10	5	6	3	2.4
SHS17PH5-14	M5	Ø 5.987	14.013	Ø 10	5	6	3	2.4
SHS17PH5-16	M5	Ø 5.987	16.013	Ø 10	5	6	3	2.4
SHS17PH5-20	M5	Ø 5.987	20.013	Ø 10	5	6	3	2.4
SHS17PH5-25	M5	Ø 5.987	25.013	Ø 10	5	6	3	2.4
SHS17PH5-30	M5	Ø 5.987	30.013	Ø 10	5	6	3	2.4
SHS17PH5-40	M5	Ø 5.987	40.013	Ø 10	5	6	3	2.4
SHS17PH5-50	M5	Ø 5.987	50.013	Ø 10	5	6	3	2.4
SHS17PH5-60	M5	Ø 5.987	60.013	Ø 10	5	6	3	2.4
SHS17PH6-6	M6	Ø 7.987	6.013	Ø 12	6	11	4	3.2
SHS17PH6-8	M6	Ø 7.987	8.013	Ø 12	6	11	4	3.2
SHS17PH6-10	M6	Ø 7.987	10.013	Ø 12	6	11	4	3.2
SHS17PH6-12	M6	Ø 7.987	12.013	Ø 12	6	11	4	3.2
SHS17PH6-16	M6	Ø 7.987	16.013	Ø 12	6	11	4	3.2
SHS17PH6-20	M6	Ø 7.987	20.013	Ø 12	6	11	4	3.2
SHS17PH6-25	M6	Ø 7.987	25.013	Ø 12	6	11	4	3.2
SHS17PH6-30	M6	Ø 7.987	30.013	Ø 12	6	11	4	3.2
SHS17PH6-40	M6	Ø 7.987	40.013	Ø 12	6	11	4	3.2
SHS17PH6-50	M6	Ø 7.987	50.013	Ø 12	6	11	4	3.2
SHS17PH6-60	M6	Ø 7.987	60.013	Ø 12	6	11	4	3.2
SHS17PH6-100	M6	Ø 7.987	100.013	Ø 12	6	11	4	3.2

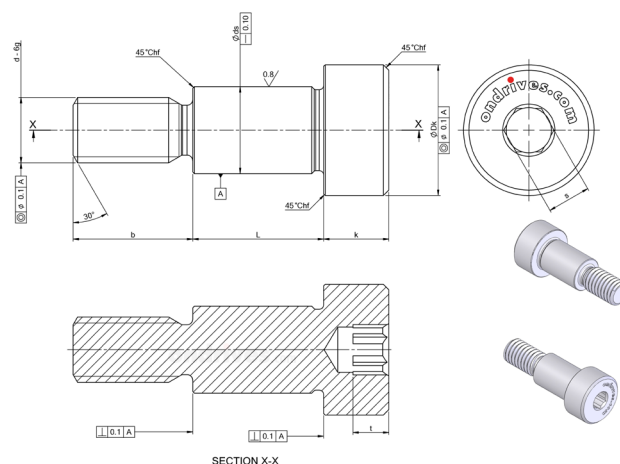
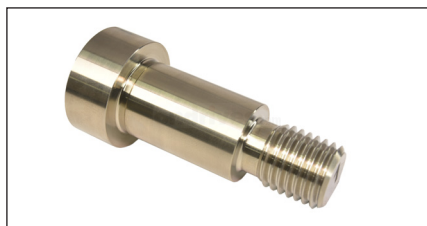
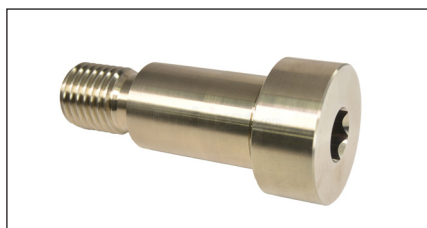
Material: 17-4PH H1025 Condition 38HRC (AMS5643) •AISI 630 •EN 1.4542 Martensitic Precipitation-Hardened Stainless Steel.

SHS17PH

# ondrives

Precision Gears

## Precision Shoulder Screws Hexagon Socket Head

17-4PH H1025 38HRC Stainless Steel Shoulder Screws **M6 - M10**

Part Numbers	Thread	Shoulder Diameter	Shoulder Length	Head Diameter	Head Length	Thread Length	Hexagon Socket	Hexagon Depth
303 Stainless	d	ds	L	Dk	k	b	s	t
<b>SHS17PH</b>	<b>Metric - 6g</b>	<b>+0.005/-0.025</b>	<b>+0.05/-0</b>		<b>k</b>	<b>b</b>	<b>s</b>	<b>t</b>
SHS17PH6.1-8	M6	Ø 9.987	8.013	Ø 12	6	11	4	3.2
SHS17PH6.1-10	M6	Ø 9.987	10.013	Ø 12	6	11	4	3.2
SHS17PH6.1-12	M6	Ø 9.987	12.013	Ø 12	6	11	4	3.2
SHS17PH6.1-16	M6	Ø 9.987	16.013	Ø 12	6	11	4	3.2
SHS17PH8-8	M8	Ø 9.987	8.013	Ø 14	7	12	5	4
SHS17PH8-10	M8	Ø 9.987	10.013	Ø 14	7	12	5	4
SHS17PH8-12	M8	Ø 9.987	12.013	Ø 14	7	12	5	4
SHS17PH8-16	M8	Ø 9.987	16.013	Ø 14	7	12	5	4
SHS17PH8-20	M8	Ø 9.987	20.013	Ø 14	7	12	5	4
SHS17PH8-25	M8	Ø 9.987	25.013	Ø 14	7	12	5	4
SHS17PH8-30	M8	Ø 9.987	30.013	Ø 14	7	12	5	4
SHS17PH8-40	M8	Ø 9.987	40.013	Ø 14	7	12	5	4
SHS17PH8-45	M8	Ø 9.987	45.013	Ø 14	7	12	5	4
SHS17PH8-50	M8	Ø 9.987	50.013	Ø 14	7	12	5	4
SHS17PH8-60	M8	Ø 9.987	60.013	Ø 14	7	12	5	4
SHS17PH8-80	M8	Ø 9.987	80.013	Ø 14	7	12	5	4
SHS17PH8-100	M8	Ø 9.987	100.013	Ø 14	7	12	5	4
SHS17PH10-12	M10	Ø 11.987	12.013	Ø 20	8	16	6	4.8
SHS17PH10-16	M10	Ø 11.987	16.013	Ø 20	8	16	6	4.8
SHS17PH10-20	M10	Ø 11.987	20.013	Ø 20	8	16	6	4.8
SHS17PH10-25	M10	Ø 11.987	25.013	Ø 20	8	16	6	4.8
SHS17PH10-30	M10	Ø 11.987	30.013	Ø 20	8	16	6	4.8
SHS17PH10-40	M10	Ø 11.987	40.013	Ø 20	8	16	6	4.8
SHS17PH10-50	M10	Ø 11.987	50.013	Ø 20	8	16	6	4.8
SHS17PH10-60	M10	Ø 11.987	60.013	Ø 20	8	16	6	4.8
SHS17PH10-80	M10	Ø 11.987	80.013	Ø 20	8	16	6	4.8
SHS17PH10-100	M10	Ø 11.987	100.013	Ø 20	8	16	6	4.8

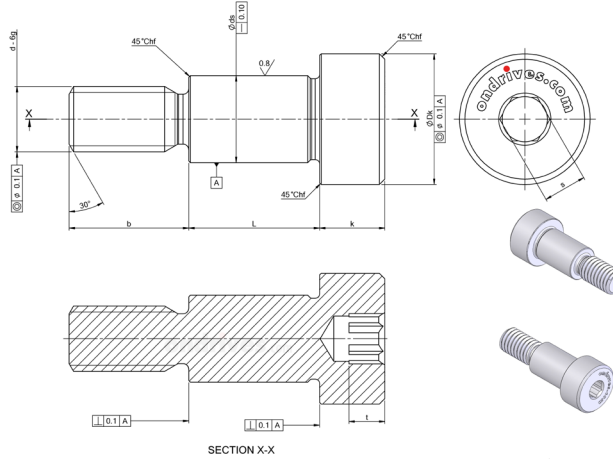
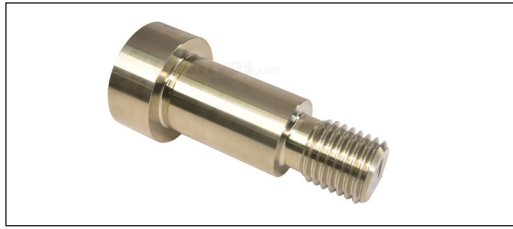
**Material:** 17-4PH H1025 Condition 38HRC (AMS5643) • AISI 630 • EN 1.4542 Martensitic Precipitation-Hardened Stainless Steel.

**ondrives**  
Precision Gears

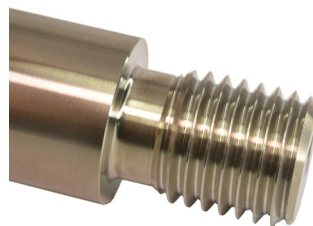
T: +44 1246 455500  
sales@ondrives.com www.ondrives.com  
Updated March 2024 subject to change for use as a guide only.

303 Stainless Shoulder Screws

### Precision Shoulder Screws Hexagon Socket Head 17-4PH H1025 38HRC Stainless Steel Shoulder Screws **M12 - M20**



Part Numbers								
303 Stainless	Thread d	Shoulder Diameter ds	Shoulder Length L	Head Diameter Dk	Head Length k	Thread Length b	Hexagon Socket s	Hexagon Depth t
<b>SHS17PH</b>	<b>Metric - 6g</b>	<b>+0.005/-0.025</b>	<b>+0.05/-0</b>		<b>k</b>	<b>b</b>	<b>s</b>	<b>t</b>
SHS17PH12-20	M12	Ø 15.987	20.013	Ø 24	11	18	8	6.6
SHS17PH12-30	M12	Ø 15.987	30.013	Ø 24	11	18	8	6.6
SHS17PH12-40	M12	Ø 15.987	40.013	Ø 24	11	18	8	6.6
SHS17PH12-50	M12	Ø 15.987	50.013	Ø 24	11	18	8	6.6
SHS17PH12-60	M12	Ø 15.987	60.013	Ø 24	11	18	8	6.6
SHS17PH12-80	M12	Ø 15.987	80.013	Ø 24	11	18	8	6.6
SHS17PH12-100	M12	Ø 15.987	100.013	Ø 24	11	18	8	6.6
SHS17PH12-120	M12	Ø 15.987	120.013	Ø 24	11	18	8	6.6
SHS17PH16-40	M16	Ø 19.987	40.013	Ø 30	14	22	10	9
SHS17PH16-50	M16	Ø 19.987	50.013	Ø 30	14	22	10	9
SHS17PH16-60	M16	Ø 19.987	60.013	Ø 30	14	22	10	9
SHS17PH16-80	M16	Ø 19.987	80.013	Ø 30	14	22	10	9
SHS17PH16-100	M16	Ø 19.987	100.013	Ø 30	14	22	10	9
SHS17PH16-120	M16	Ø 19.987	120.013	Ø 30	14	22	10	9
SHS17PH20-40	M20	Ø 24.987	40.013	Ø 36	16	27	12	10
SHS17PH20-60	M20	Ø 24.987	60.013	Ø 36	16	27	12	10
SHS17PH20-80	M20	Ø 24.987	80.013	Ø 36	16	27	12	10
SHS17PH20-100	M20	Ø 24.987	100.013	Ø 36	16	27	12	10
SHS17PH20-120	M20	Ø 24.987	120.013	Ø 36	16	27	12	10



**Material:** 17-4PH H1025 Condition 38HRC (AMS5643) •AISI 630 •EN 1.4542 Martensitic Precipitation-Hardened Stainless Steel.