

FFS20

# ondrives

Precision Gears



## 42.4mm Centres Parallel Offset Gear Reducers

10mm Input Shaft 15mm Output Bore •  $T_{2n}$  5.8Nm – 46Nm **2:1 - 7:1**

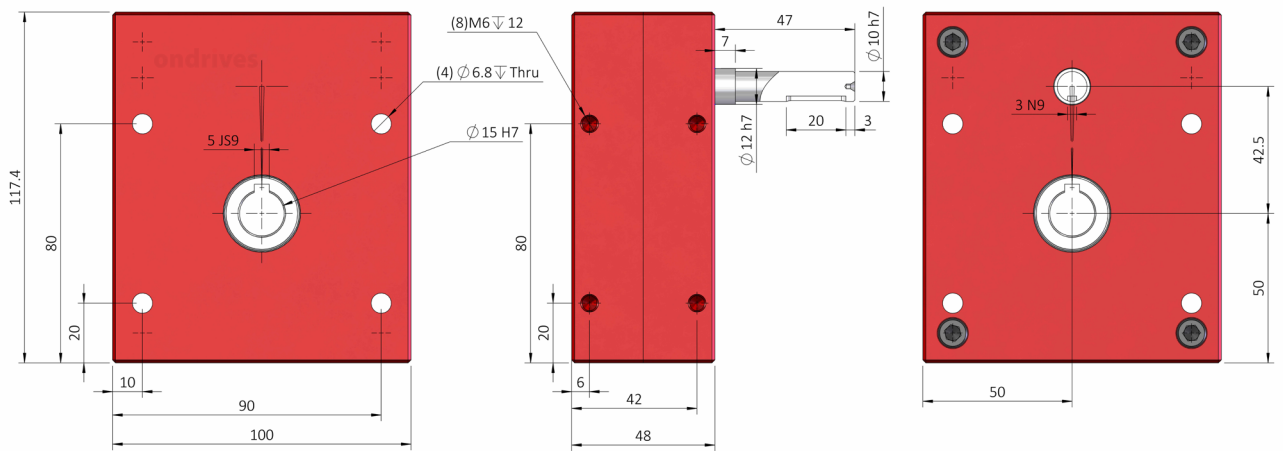
**Spur - Helical Gears.**

**Standard Versions - Standard Torque**

Steel Gears, will give you good levels of strength and torque in use.

**XH Versions - High Torque**

Hardened Gears, will give you high levels of strength and torque in use.



Output Backlash j	Output Backlash j A	Output Backlash j AR	Gear Ratio i	Efficiency $\eta_z$	Torque Version
$\leq 0.50^\circ$	$\leq 0.16^\circ$	$\leq 0.08^\circ$		<b>n1nom</b>	
FFS20-2	FFS20-2A	FFS20-2AR	2:1	93%	Std
FFS20-3	FFS20-3A	FFS20-3AR	3:1	93%	Std
FFS20-4	FFS20-4A	FFS20-4AR	4:1	93%	Std
FFS20-5	FFS20-5A	FFS20-5AR	5:1	93%	Std
FFS20-6	FFS20-6A	FFS20-6AR	6:1	93%	Std
FFS20-7	FFS20-7A	FFS20-7AR	7:1	93%	Std
FFS20-XH-2	FFS20-XH-2A	FFS20-XH-2A	2:1	93%	High
FFS20-XH-3	FFS20-XH-3A	FFS20-XH-3A	3:1	93%	High
FFS20-XH-4	FFS20-XH-4A	FFS20-XH-4A	4:1	93%	High
FFS20-XH-5	FFS20-XH-5A	FFS20-XH-5A	5:1	93%	High
FFS20-XH-6	FFS20-XH-6A	FFS20-XH-6A	6:1	93%	High
FFS20-XH-7	FFS20-XH-7A	FFS20-XH-7A	7:1	93%	High

**Weight:** 1.9kg.

**Nom. Input Speed [S5  $T_{2n}$ ] n1nom:** 1,000  $\text{min}^{-1}$  (r/min)

**Max. Input Speed n1max:** 2,000  $\text{min}^{-1}$  (r/min)

**Lubrication:** Grease Shell Gadus S5 V42P 2.5

**Lubrication Temperature:** Max. Operating  $\approx 60^\circ\text{C}$

**Max. Input Radial Load  $F_{r1}$ :** 160N.

**Max. Output Radial Load  $F_{r2}$ :** 400N.

**Max. Output Axial Load  $F_{a2}$ :** 300N.

Testing in your application is necessary.

You will need to assess duty cycles and confirm suitability with your own calculations.

Figures listed are for guidance only.

Cooling may be needed dependent on application.

**ondrives**  
Precision Gears

T: +44 1246 455500

sales@ondrives.com www.ondrives.com

Updated January 2024 subject to change for use as a guide only.

Parallel Offset Gear Reducers

**42.4mm Centres Parallel Offset Gear Reducers**  
 10mm Input Shaft 15mm Output Bore •  $T_{2n}$  5.8Nm – 46Nm **2:1 - 7:1**

FF20 FFS20 2:1 - 7:1 Series Parallel Offset Gearboxes

