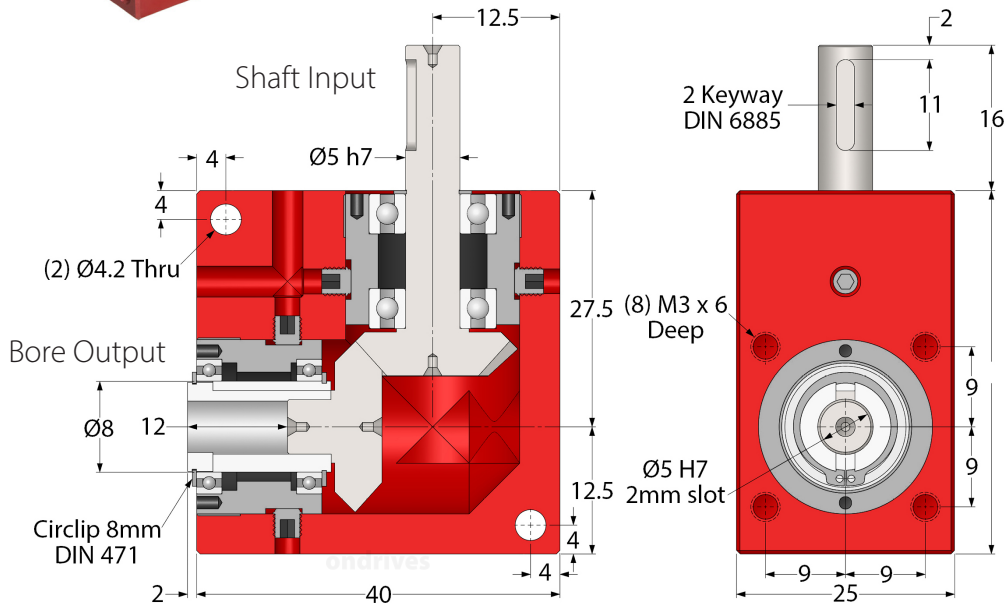


BLHO20

ondrives

Precision Gears

Spiral Bevel Gearboxes

5mm Single Input Shaft • 5mm Output Bore • T_{2n} 0.7-0.88Nm **1:1 - 2:1**

Part Numbers					
Output Backlash j	Output Backlash j A	Output Backlash j AR	Gear Ratio i	Efficiency η_z	Reflected Inertia at Input
$\leq 0.75^\circ$	$\leq 0.50^\circ$	$\leq 0.166^\circ$		n_{1nom}	$kg \cdot m^2$
BLHI20-1	BLHI20-1A	BLHI20-1AR	1:1	88%	4.34×10^{-7}
BLHO20-2	BLHO20-2A	BLHO20-2AR	2:1	88%	8.41×10^{-8}

BLHI 1:1 Ratio Bore can be used as an input or output.

Weight: 0.12 kg.**Nom. Input Speed** [$5 T_{2n}$ n_{1nom}]: 1,000 min^{-1} (r/min)**Max. Input Speed** n_{1max} : 3,000 min^{-1} (r/min)**Lubrication:** Grease Shell Gadus S2 V220AD 2**Lubrication Temperature:** Max. Operating $\approx 60^\circ C$ **Max. Input Radial Load** F_{r1} : 10N.**Max. Output Radial Load** F_{r2} : 10N.**Max. Input Axial Load** F_{a1} : 5N.**Max. Output Axial Load** F_{a2} : 5N.

Testing in your application is necessary.

You will need to assess duty cycles and confirm suitability with your own calculations.

Figures listed are for guidance only.

Cooling may be needed dependent on application.

ondrives
Precision Gears

T: +44 1246 455500

sales@ondrives.com www.ondrives.com

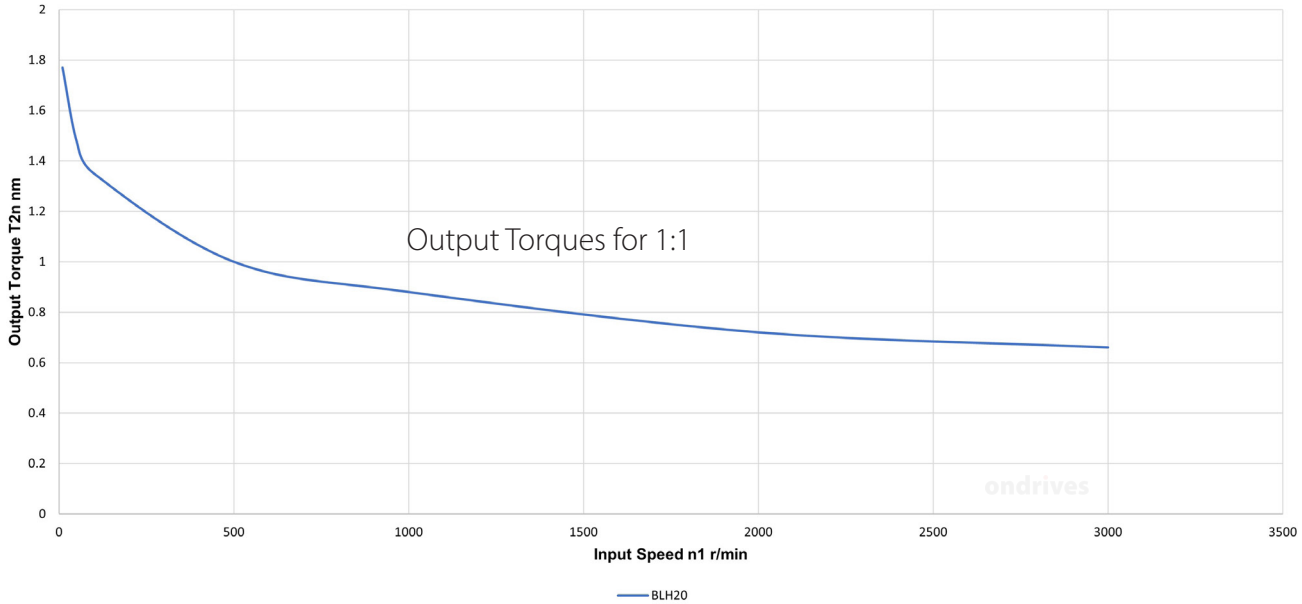
Updated March 2024 subject to change for use as a guide only.

Spiral Bevel Gearbox

Spiral Bevel Gearboxes

5mm Single Input Shaft • 5mm Output Bore • T_{2n} 0.7-0.88Nm **1:1 - 2:1**

BLH Series Spiral Bevel Gearbox



BLH Series Spiral Bevel Gearbox

