

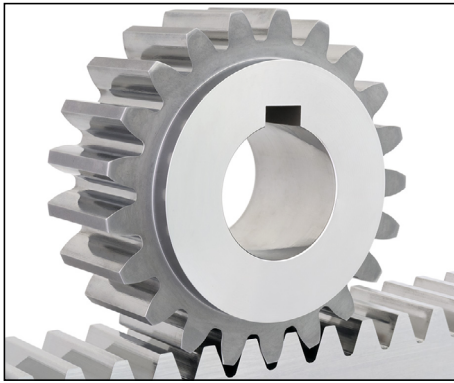
RUPSG
6.0 - 8.0mn

CAD
Drawings
Available
On Request

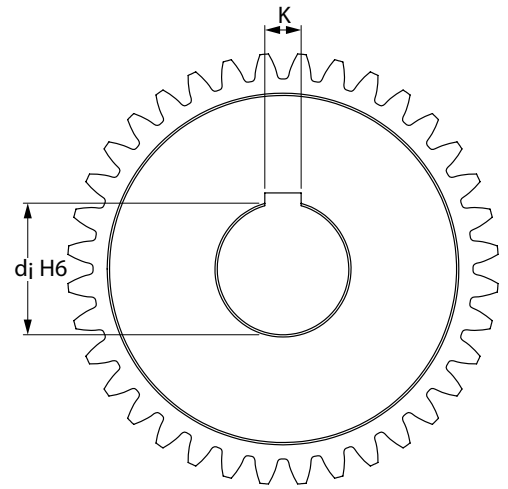
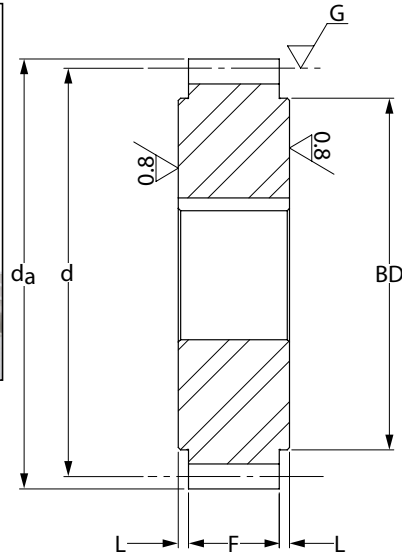
PRECISION GROUND GEARS

6.0 & 8.0 Module Ground Rack Spur Pinion α 20° PA

Quality Grade 4f24 DIN 3961/3967



To suit UPSGR series ground racks.



Part Number Case Hardened 805M20	Part Number Stainless Steel 17-4PH	Module m_n	No. of Teeth z	Ref. Dia. d	Tip Dia. d_a	Bore H6 d_j	Keyway DIN 6885-1 $K Js9$	Max. Bore H6 d_j	Face Width F	Hub Length L	Hub Dia. BD
RUPSG6.0-20H-K	RUPSG6.0-20PH-K	6.0	20	120	132	22	6 x 6	55	59	5	95
RUPSG6.0-22H-K	RUPSG6.0-22PH-K	6.0	22	132	144	24	8 x 7	65	59	5	105
RUPSG6.0-24H-K	RUPSG6.0-24PH-K	6.0	24	144	156	28	8 x 7	72	59	5	120
RUPSG6.0-25H-K	RUPSG6.0-25PH-K	6.0	25	150	162	30	8 x 7	75	59	5	125
RUPSG6.0-30H-K	RUPSG6.0-30PH-K	6.0	30	180	192	36	10 x 8	90	59	5	155
RUPSG6.0-32H-K	RUPSG6.0-32PH-K	6.0	32	192	204	40	12 x 8	100	59	5	165
RUPSG6.0-35H-K	RUPSG6.0-35PH-K	6.0	35	210	222	40	12 x 8	110	59	5	185
RUPSG6.0-36H-K	RUPSG6.0-36PH-K	6.0	36	216	228	40	12 x 8	115	59	5	190
RUPSG6.0-38H-K	RUPSG6.0-38PH-K	6.0	38	228	240	50	14 x 9	125	59	5	205
RUPSG6.0-40H-K	RUPSG6.0-40PH-K	6.0	40	240	252	50	14 x 9	130	59	5	215
RUPSG6.0-42H-K	RUPSG6.0-42PH-K	6.0	42	252	264	55	16 x 10	135	59	5	225
RUPSG6.0-45H-K	RUPSG6.0-45PH-K	6.0	45	270	282	60	18 x 11	145	59	5	245
RUPSG8.0-20H-K	RUPSG8.0-20PH-K	8.0	20	160	176	30	8 x 7	80	79	5	130
RUPSG8.0-22H-K	RUPSG8.0-22PH-K	8.0	22	176	192	32	10 x 8	85	79	5	145
RUPSG8.0-24H-K	RUPSG8.0-24PH-K	8.0	24	192	208	36	10 x 8	95	79	5	160
RUPSG8.0-25H-K	RUPSG8.0-25PH-K	8.0	25	200	216	40	12 x 8	100	79	5	170
RUPSG8.0-26H-K	RUPSG8.0-26PH-K	8.0	26	208	224	42	12 x 8	110	79	5	180
RUPSG8.0-30H-K	RUPSG8.0-30PH-K	8.0	30	240	256	50	14 x 9	125	79	5	210
RUPSG8.0-32H-K	RUPSG8.0-32PH-K	8.0	32	256	272	55	16 x 10	135	79	5	225



+44 (0)1246 455500



+44 (0)1246 455522

ondrives



sales@ondrives.com



www.ondrives.com

Product information updated May 2017 and subject to change. Please click the product links for prices and availability.

RUPSG
6.0 - 8.0mn

CAD
Drawings
Available
On Request

PRECISION GROUND GEARS

6.0 & 8.0 Module Ground Rack Spur Pinion α 20° PA

Quality Grade 4f24 DIN 3961/3967

Standard Part **RUPSG** **6.0** **40** **H** **K**

Modified Part **RUPSG** **8.0** **40** **PH** **60** **K**

RUPSG - Precision Form Ground Rack Spur Gear to suit UPSGR Ground Racks
Quality Grade 4f24 DIN 3961/3967
Other Quality Grades available
See Technical

m_n Module - Cut with DIN 867 1.25/0.20/1.0
Ref. Tooth Profile Topping WD = 2.25 x m_n
Ground flanks and root

Number of Teeth **z**

K- Keyway supplied to
DIN 6885 - Js9 tolerance
See Technical

To specify different bore enter size required
Example: 60 = 60mm H6 etc
See Technical

Material H
805M20 Case Hardened 58-62HRc
Material PH
17-4PH Condition H1025, 38-40HRc

Stated keyway size relates to minimum bore.

Other numbers of teeth and tooth tolerances available on request.

Lead crowning (barrelling), profile crowning and other modifications available on request.

Part Number Case Hardened 805M20	Backlash (mm) $j_{t,e} (max) j_{t,i} (min)$	Inertia kgm^2	Mass kg	Part Number Stainless Steel 17-4PH	Backlash (mm) $j_{t,e} (max) j_{t,i} (min)$	Inertia kgm^2	Mass kg
RUPSG6.0-20H-K	0.099 - 0.019	1.03×10^{-2}	5.525	RUPSG6.0-20PH-K	0.099 - 0.019	1.02×10^{-2}	5.476
RUPSG6.0-22H-K	0.111 - 0.026	1.50×10^{-2}	6.696	RUPSG6.0-22PH-K	0.111 - 0.026	1.48×10^{-2}	6.636
RUPSG6.0-24H-K	0.111 - 0.026	2.13×10^{-2}	8.007	RUPSG6.0-24PH-K	0.111 - 0.026	2.11×10^{-2}	7.936
RUPSG6.0-25H-K	0.111 - 0.026	2.50×10^{-2}	8.668	RUPSG6.0-25PH-K	0.111 - 0.026	2.48×10^{-2}	8.591
RUPSG6.0-30H-K	0.115 - 0.026	5.21×10^{-2}	12.586	RUPSG6.0-30PH-K	0.115 - 0.026	5.16×10^{-2}	12.474
RUPSG6.0-32H-K	0.115 - 0.026	6.73×10^{-2}	14.265	RUPSG6.0-32PH-K	0.115 - 0.026	6.67×10^{-2}	14.138
RUPSG6.0-35H-K	0.115 - 0.026	9.70×10^{-2}	17.309	RUPSG6.0-35PH-K	0.115 - 0.026	9.61×10^{-2}	17.155
RUPSG6.0-36H-K	0.115 - 0.026	1.08×10^{-1}	18.348	RUPSG6.0-36PH-K	0.115 - 0.026	1.07×10^{-1}	18.184
RUPSG6.0-38H-K	0.115 - 0.026	1.36×10^{-1}	20.255	RUPSG6.0-38PH-K	0.115 - 0.026	1.34×10^{-1}	20.075
RUPSG6.0-40H-K	0.115 - 0.026	1.66×10^{-1}	22.544	RUPSG6.0-40PH-K	0.115 - 0.026	1.65×10^{-1}	22.343
RUPSG6.0-42H-K	0.115 - 0.026	2.01×10^{-1}	24.727	RUPSG6.0-42PH-K	0.115 - 0.026	2.00×10^{-1}	24.506
RUPSG6.0-45H-K	0.115 - 0.026	2.67×10^{-1}	28.460	RUPSG6.0-45PH-K	0.115 - 0.026	2.65×10^{-1}	28.206
RUPSG8.0-20H-K	0.115 - 0.026	4.30×10^{-2}	12.865	RUPSG8.0-20PH-K	0.115 - 0.026	4.27×10^{-2}	12.750
RUPSG8.0-22H-K	0.115 - 0.026	6.27×10^{-2}	15.639	RUPSG8.0-22PH-K	0.115 - 0.026	6.22×10^{-2}	15.499
RUPSG8.0-24H-K	0.115 - 0.026	8.86×10^{-2}	18.608	RUPSG8.0-24PH-K	0.115 - 0.026	8.78×10^{-2}	18.442
RUPSG8.0-25H-K	0.115 - 0.026	1.04×10^{-1}	20.157	RUPSG8.0-25PH-K	0.115 - 0.026	1.04×10^{-1}	19.977
RUPSG8.0-26H-K	0.115 - 0.026	1.23×10^{-1}	21.857	RUPSG8.0-26PH-K	0.115 - 0.026	1.21×10^{-1}	21.662
RUPSG8.0-30H-K	0.119 - 0.026	2.17×10^{-1}	29.094	RUPSG8.0-30PH-K	0.119 - 0.026	2.15×10^{-1}	28.835
RUPSG8.0-32H-K	0.119 - 0.026	2.80×10^{-1}	33.043	RUPSG8.0-32PH-K	0.119 - 0.026	2.78×10^{-1}	32.748



+44 (0)1246 455500



+44 (0)1246 455522

ondrives



sales@ondrives.com



www.ondrives.com

Product information updated May 2017 and subject to change. Please click the product links for prices and availability.