

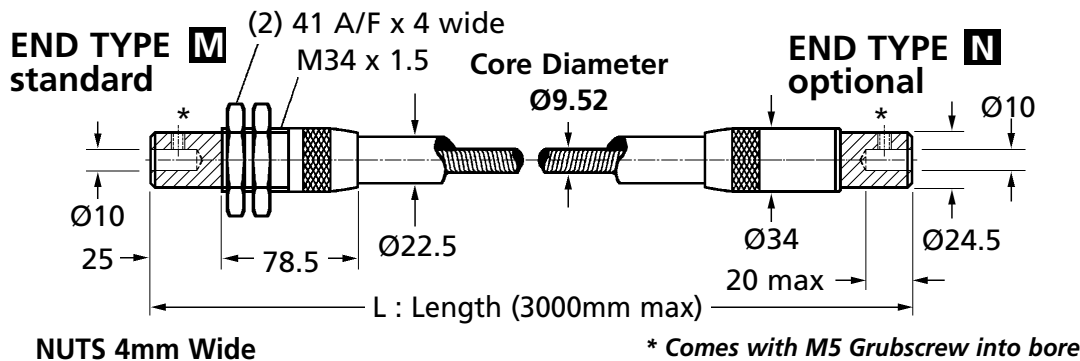
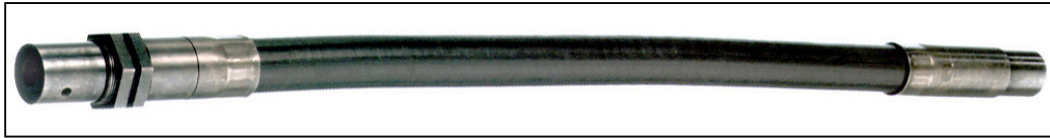
FD9

COUPLINGS

Masterflex - Flexible Drive Shaft

Ball Bearing Type : 4.5 - 28Nm, 10mm Bores

Shaft Size 9 - High Duty with Ball Bearings



▨ = Rotating part (between ▨ is the static portion which requires securing)

Discounts: 5+ -5% 25+ -10%

Direction	Min Operating Radius	Torsional Deflection (0.1Nm load at 1m length)		Rpm Max	Max Torque (Nm) v Bend Radius (mm)					
		Wind	Unwind		200mm	250mm	250mm	350mm	500mm	600mm
A & C	200	0.90°	2.15°	6000	4.50Nm	5.40Nm	6.00Nm	6.55Nm	7.10Nm	7.25Nm
B	200	0.30°	0.63°	2000	13.00Nm	17.00Nm	20.00Nm	23.00Nm	26.00Nm	28.00Nm

Part Number	Bore	Max Speed A & C Rpm	Price 500mm	Price 1000mm	Price 1500mm	Price 2000mm	Price 2500mm	Price 3000mm
FD9-L	Ø10	6000	£216.96	£248.93	£280.86	£312.82	£344.76	£376.72

Material

Shafts & Ends: Steel 070M420 with plastic cover

Ordering

Please specify after part number :-

Direction:

C = Clockwise rotation,

B = Bi-direction rotation,

A = Anti-clockwise rotation.

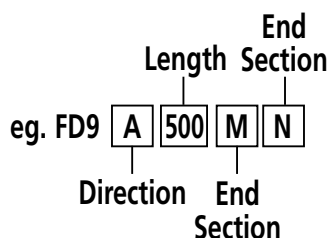
Length:

L = Length (mm) (other lengths available eg. 375mm at 500mm price)

End Type (Ball Bearing):

M = 4mm Nuts (supplied both ends as standard)

N = M5 Grubscrew (available on request)



+44 (0)1246 455500

+44 (0)1246 455522

ondrives

sales@ondrives.com

www.ondrives.com

Product information updated 1st April 2010 and subject to change. Please contact Sales for the latest prices and availability.

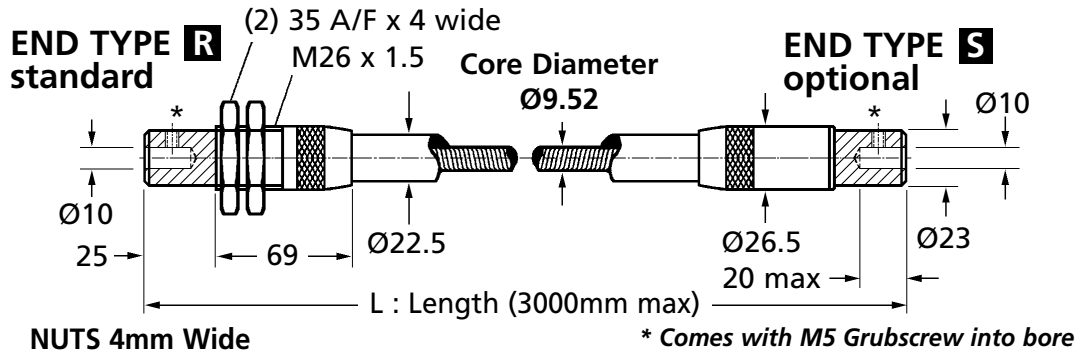
COUPLINGS

FDQ9

Masterflex - Flexible Drive Shaft

Oilite Bush Type : 4.5 - 28Nm, 10mm Bores

Shaft Size 9 - Normal Duty with Oilite Bushes



▨ = Rotating part (between ▨ is the static portion which requires securing)

Discounts: 5+ -5% | 25+ -10%

Direction	Min Operating Radius	Torsional Deflection (0.1Nm load at 1m length)		Rpm Max	Max Torque (Nm) v Bend Radius (mm)					
		Wind	Unwind		200mm	250mm	250mm	350mm	500mm	600mm
A & C	200	0.90°	2.15°	2000	4.50Nm	5.40Nm	6.00Nm	6.55Nm	7.10Nm	7.25Nm
B	200	0.30°	0.63°	200	13.00Nm	17.00Nm	20.00Nm	23.00Nm	26.00Nm	28.00Nm

Part Number	Bore	Max Speed A & C Rpm	Price 500mm	Price 1000mm	Price 1500mm	Price 2000mm	Price 2500mm	Price 3000mm
FDQ9-L	Ø10	2000	£182.21	£214.23	£246.10	£278.96	£315.99	£347.96

Material

Shafts & Ends: Steel 070M420 with plastic cover

Ordering

Please specify after part number :-

Direction:

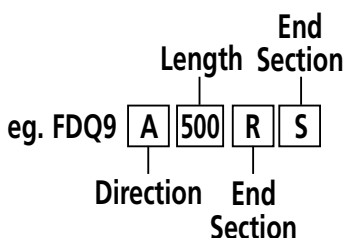
- C = Clockwise rotation,
- B = Bi-direction rotation,
- A = Anti-clockwise rotation.

Length:

L = Length (mm) (other lengths available eg. 375mm at 500mm price)

End Type (Oilite Bushes):

- R = 4mm Nuts (supplied both ends as standard)
- S = M5 Grubscrew (available on request)



+44 (0)1246 455500
+44 (0)1246 455522

ondrives

sales@ondrives.com
www.ondrives.com

Product information updated 1st April 2010 and subject to change. Please contact Sales for the latest prices and availability.