

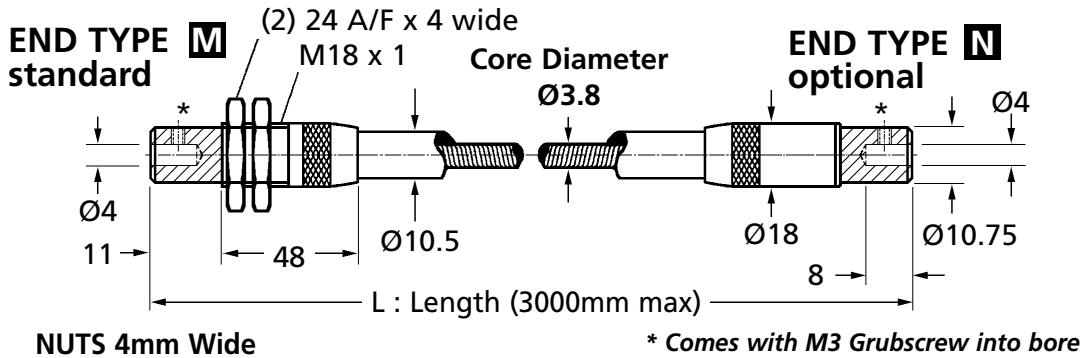
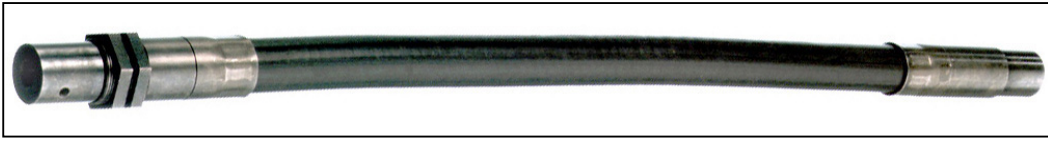
FD4

COUPLINGS

Masterflex - Flexible Drive Shaft

Ball Bearing Type : 0.15 - 2.1Nm, 4mm Bores

Shaft Size 4 - High Duty with Ball Bearings



▨ = Rotating part (between ▨ is the static portion which requires securing)

Discounts: 5+ -5% 25+ -10%

Direction	Min Operating Radius	Torsional Deflection (0.1Nm load at 1m length)		Rpm Max	Max Torque (Nm) v Bend Radius (mm)					
		Wind	Unwind		75mm	100mm	150mm	200mm	300mm	500mm
A & C	75	31.25°	75.00°	12000	0.15Nm	0.20Nm	0.35Nm	0.44Nm	0.53Nm	0.56Nm
B	75	28.00°	56.00°	3000	0.65Nm	1.30Nm	1.60Nm	1.85Nm	2.00Nm	2.10Nm

Part Number	Bore	Max Speed A & C Rpm	Price 500mm	Price 1000mm	Price 1500mm	Price 2000mm	Price 2500mm	Price 3000mm
FD4-L	$\varnothing 4$	12000	£131.30	£140.11	£152.74	£165.38	£178.02	£190.68

Material

Shafts & Ends: Steel 070M420 with plastic cover

Ordering

Please specify after part number :-

Direction:

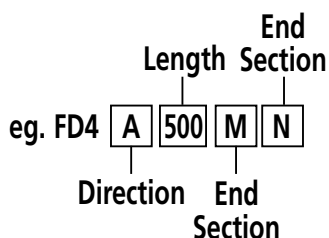
- C = Clockwise rotation,
- B = Bi-direction rotation,
- A = Anti-clockwise rotation.

Length:

L = Length (mm) (other lengths available eg. 375mm at 500mm price)

End Type (Ball Bearing):

- M = 4mm Nuts (supplied both ends as standard)
- N = M3 Grubscrew (available on request)



+44 (0)1246 455500
+44 (0)1246 455522

ondrives

sales@ondrives.com
www.ondrives.com

Product information updated 1st April 2009 and subject to change. Please contact Sales for an accurate price and delivery.

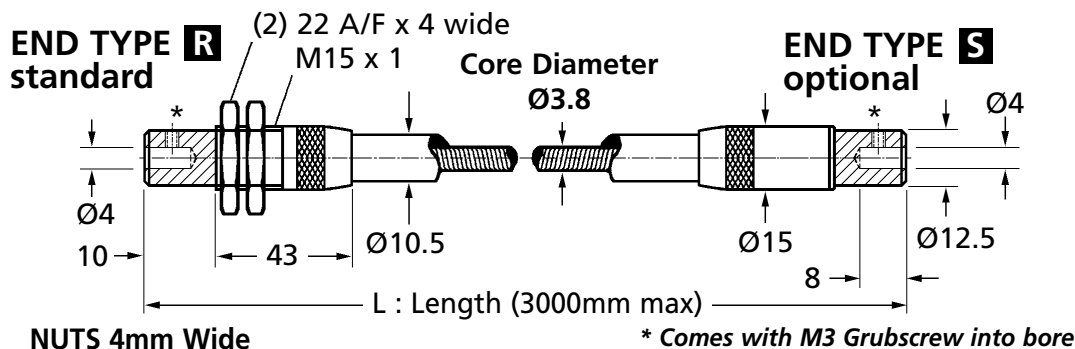
COUPLINGS

FDQ4

Masterflex - Flexible Drive Shaft

Oilite Bush Type : 0.15 - 2.1Nm, 4mm Bores

Shaft Size 4 - Normal Duty with Oilite Bushes



▨ = Rotating part (between ▨ is the static portion which requires securing)

Discounts: 5+ -5% | 25+ -10%

Direction	Min Operating Radius	Torsional Deflection (0.1Nm load at 1m length)		Rpm Max	Max Torque (Nm) v Bend Radius (mm)					
		Wind	Unwind		75mm	100mm	150mm	200mm	300mm	500mm
A & C	75	31.25°	75.00°	2000	0.15Nm	0.20Nm	0.35Nm	0.44Nm	0.53Nm	0.56Nm
B	75	28.00°	56.00°	200	0.65Nm	1.30Nm	1.60Nm	1.85Nm	2.00Nm	2.10Nm

Part Number	Bore	Max Speed A & C Rpm	Price 500mm	Price 1000mm	Price 1500mm	Price 2000mm	Price 2500mm	Price 3000mm
FDQ4-L	Ø4	2000	£111.55	£120.88	£129.57	£142.22	£154.85	£167.49

Material

Shafts & Ends: Steel 070M420 with plastic cover

Ordering

Please specify after part number :-

Direction:

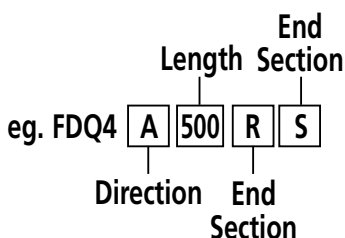
- C = Clockwise rotation,
- B = Bi-direction rotation,
- A = Anti-clockwise rotation.

Length:

L = Length (mm) (other lengths available eg. 375mm at 500mm price)

End Type (Oilite Bushes):

- R = 4mm Nuts (supplied both ends as standard)
- S = M3 Grubscrew (available on request)



+44 (0)1246 455500
+44 (0)1246 455522

ondrives

sales@ondrives.com
www.ondrives.com

Product information updated 1st April 2009 and subject to change. Please contact Sales for an accurate price and delivery.