

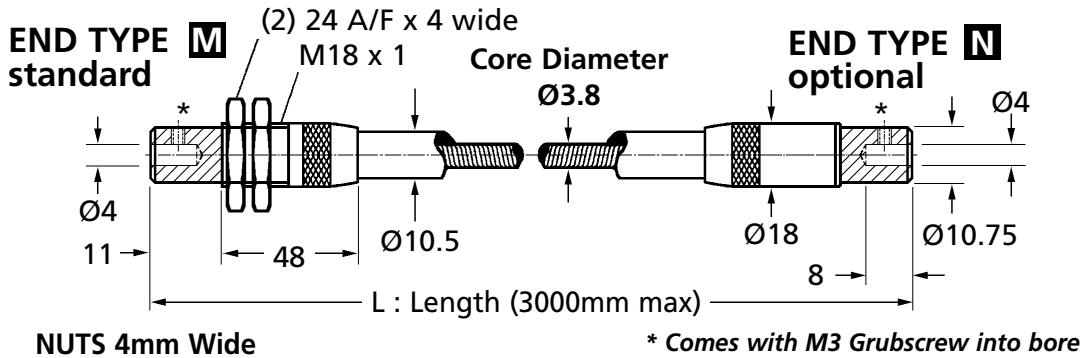
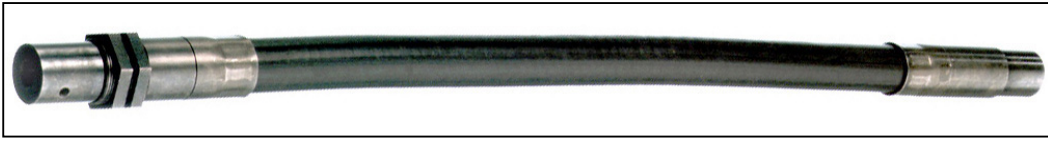
FD4

COUPLINGS

Masterflex - Flexible Drive Shaft

Ball Bearing Type : 0.15 - 2.1Nm, 4mm Bores

Shaft Size 4 - High Duty with Ball Bearings



▨ = Rotating part (between ▨ is the static portion which requires securing)

Discounts: 5+ -5% 25+ -10%

Direction	Min Operating Radius	Torsional Deflection (0.1Nm load at 1m length)		Rpm Max	Max Torque (Nm) v Bend Radius (mm)					
		Wind	Unwind		75mm	100mm	150mm	200mm	300mm	500mm
A & C	75	31.25°	75.00°	12000	0.15Nm	0.20Nm	0.35Nm	0.44Nm	0.53Nm	0.56Nm
B	75	28.00°	56.00°	3000	0.65Nm	1.30Nm	1.60Nm	1.85Nm	2.00Nm	2.10Nm

Part Number	Bore	Max Speed A & C Rpm	Price 500mm	Price 1000mm	Price 1500mm	Price 2000mm	Price 2500mm	Price 3000mm
FD4-L	$\varnothing 4$	12000	£131.30	£140.11	£152.74	£165.38	£178.02	£190.68

Material

Shafts & Ends: Steel 070M420 with plastic cover

Ordering

Please specify after part number :-

Direction:

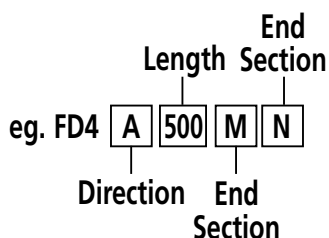
- C = Clockwise rotation,
- B = Bi-direction rotation,
- A = Anti-clockwise rotation.

Length:

L = Length (mm) (other lengths available eg. 375mm at 500mm price)

End Type (Ball Bearing):

- M = 4mm Nuts (supplied both ends as standard)
- N = M3 Grubscrew (available on request)



+44 (0)1246 455500
+44 (0)1246 455522

ondrives

sales@ondrives.com
www.ondrives.com

Product information updated 1st April 2009 and subject to change. Please contact Sales for an accurate price and delivery.

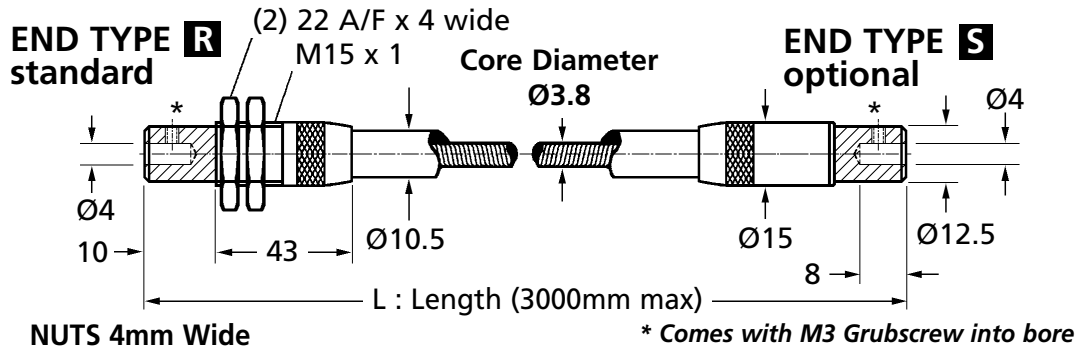
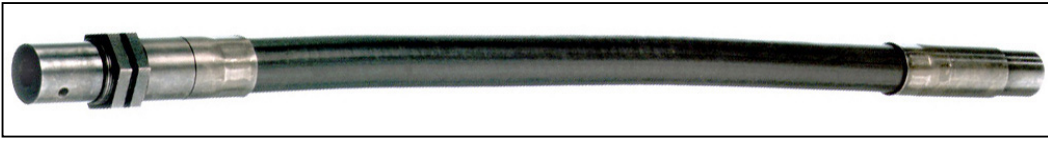
COUPLINGS

FDQ4

Masterflex - Flexible Drive Shaft

Oilite Bush Type : 0.15 - 2.1Nm, 4mm Bores

Shaft Size 4 - Normal Duty with Oilite Bushes



▨ = Rotating part (between ▨ is the static portion which requires securing)

Discounts: 5+ -5% | 25+ -10%

Direction	Min Operating Radius	Torsional Deflection (0.1Nm load at 1m length)		Rpm Max	Max Torque (Nm) v Bend Radius (mm)					
		Wind	Unwind		75mm	100mm	150mm	200mm	300mm	500mm
A & C	75	31.25°	75.00°	2000	0.15Nm	0.20Nm	0.35Nm	0.44Nm	0.53Nm	0.56Nm
B	75	28.00°	56.00°	200	0.65Nm	1.30Nm	1.60Nm	1.85Nm	2.00Nm	2.10Nm

Part Number	Bore	Max Speed A & C Rpm	Price 500mm	Price 1000mm	Price 1500mm	Price 2000mm	Price 2500mm	Price 3000mm
FDQ4-L	Ø4	2000	£111.55	£120.88	£129.57	£142.22	£154.85	£167.49

Material

Shafts & Ends: Steel 070M420 with plastic cover

Ordering

Please specify after part number :-

Direction:

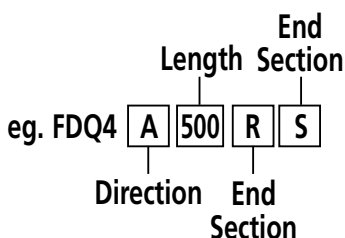
- C = Clockwise rotation,
- B = Bi-direction rotation,
- A = Anti-clockwise rotation.

Length:

L = Length (mm) (other lengths available eg. 375mm at 500mm price)

End Type (Oilite Bushes):

- R = 4mm Nuts (supplied both ends as standard)
- S = M3 Grubscrew (available on request)



+44 (0)1246 455500
+44 (0)1246 455522

ondrives

sales@ondrives.com
www.ondrives.com

Product information updated 1st April 2009 and subject to change. Please contact Sales for an accurate price and delivery.

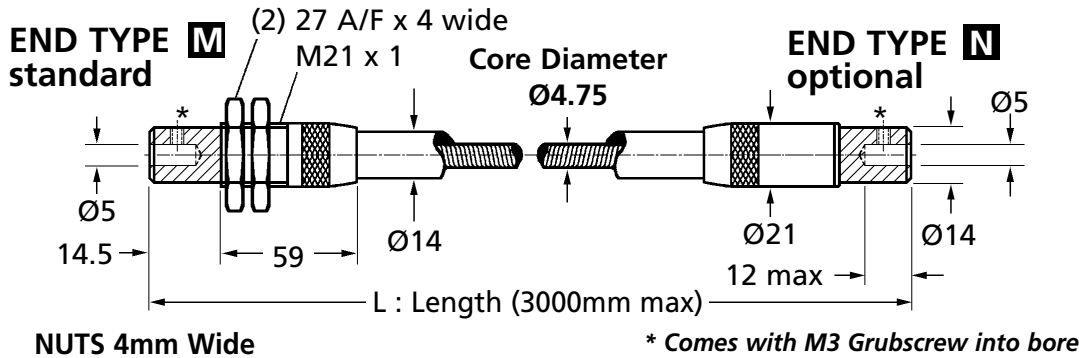
FD5

COUPLINGS

Masterflex - Flexible Drive Shaft

Ball Bearing Type : 0.26 - 2.6Nm, 5mm Bores

Shaft Size 5 - High Duty with Ball Bearings



▨ = Rotating part (between ▨ is the static portion which requires securing)

Discounts: 5+ -5% 25+ -10%

Direction	Min Operating Radius	Torsional Deflection (0.1Nm load at 1m length)		Rpm Max	Max Torque (Nm) v Bend Radius (mm)					
		Wind	Unwind		100mm	125mm	150mm	200mm	300mm	500mm
A & C	100	9.30°	36.50°	12000	0.26Nm	0.56Nm	0.77Nm	0.90Nm	1.13Nm	1.60Nm
B	100	7.50°	17.00°	3000	1.30Nm	1.70Nm	2.05Nm	2.25Nm	2.40Nm	2.60Nm

Part Number	Bore	Max Speed A & C Rpm	Price 500mm	Price 1000mm	Price 1500mm	Price 2000mm	Price 2500mm	Price 3000mm
FD5-L	$\text{\O}5$	12000	£133.43	£147.82	£162.21	£176.57	£191.00	£205.35

Material

Shafts & Ends: Steel 070M420 with plastic cover

Ordering

Please specify after part number :-

Direction:

C = Clockwise rotation,

B = Bi-direction rotation,

A = Anti-clockwise rotation.

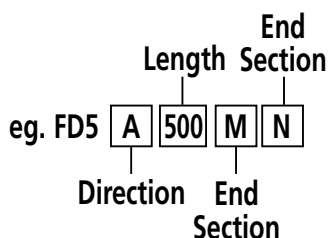
Length:

L = Length (mm) (other lengths available eg. 375mm at 500mm price)

End Type (Ball Bearing):

M = 4mm Nuts (supplied both ends as standard)

N = M3 Grubscrew (available on request)



+44 (0)1246 455500

+44 (0)1246 455522

ondrives

sales@ondrives.com

www.ondrives.com

Product information updated 1st April 2009 and subject to change. Please contact Sales for an accurate price and delivery.

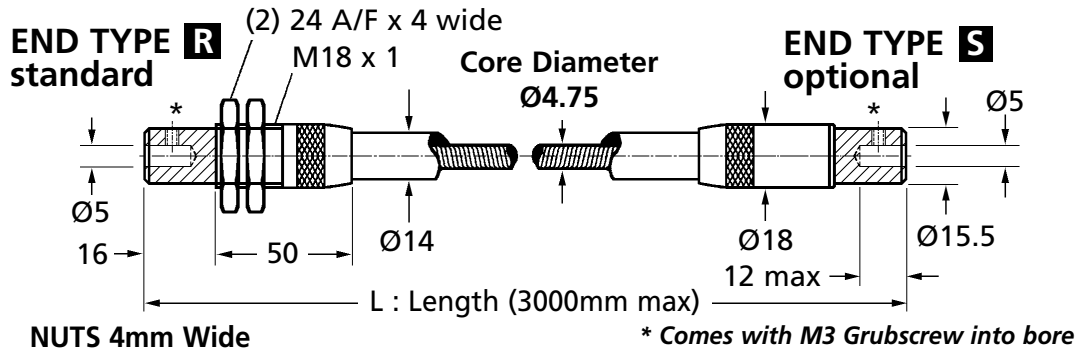
COUPLINGS

FDQ5

Masterflex - Flexible Drive Shaft

Oilite Bush Type : 0.26 - 2.6Nm, 5mm Bores

Shaft Size 5 - Normal Duty with Oilite Bushes



▨ = Rotating part (between ▨ is the static portion which requires securing)

Discounts: 5+ -5% | 25+ -10%

Direction	Min Operating Radius	Torsional Deflection (0.1Nm load at 1m length)		Rpm Max	Max Torque (Nm) v Bend Radius (mm)					
		Wind	Unwind		100mm	125mm	150mm	200mm	300mm	500mm
A & C	100	9.30°	36.50°	2000	0.26Nm	0.56Nm	0.77Nm	0.90Nm	1.13Nm	1.60Nm
B	100	7.50°	17.00°	200	1.30Nm	1.70Nm	2.05Nm	2.25Nm	2.40Nm	2.60Nm

Part Number	Bore	Max Speed A & C Rpm	Price 500mm	Price 1000mm	Price 1500mm	Price 2000mm	Price 2500mm	Price 3000mm
FDQ5-L	Ø5	2000	£117.14	£124.63	£137.89	£153.39	£167.82	£182.17

Material

Shafts & Ends: Steel 070M420 with plastic cover

Ordering

Please specify after part number :-

Direction:

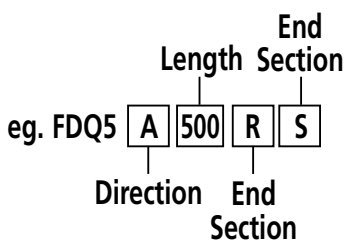
- C = Clockwise rotation,
- B = Bi-direction rotation,
- A = Anti-clockwise rotation.

Length:

L = Length (mm) (other lengths available eg. 375mm at 500mm price)

End Type (Oilite Bushes):

- R = 4mm Nuts (supplied both ends as standard)
- S = M3 Grubscrew (available on request)



+44 (0)1246 455500
+44 (0)1246 455522

ondrives

sales@ondrives.com
www.ondrives.com

Product information updated 1st April 2009 and subject to change. Please contact Sales for an accurate price and delivery.

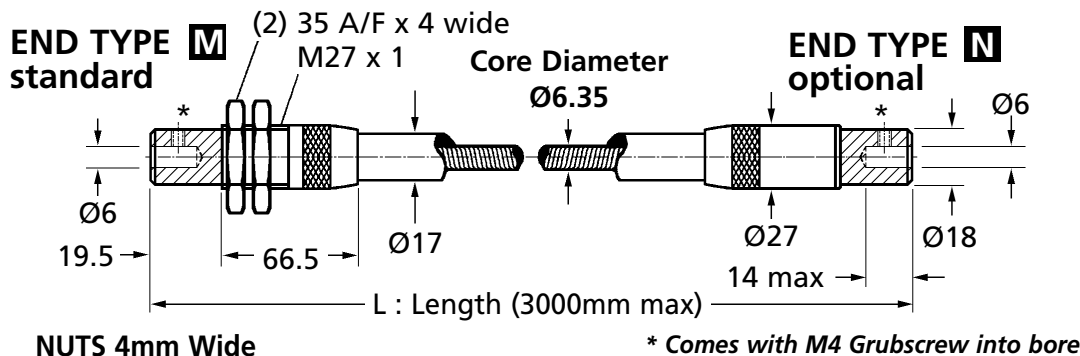
FD6

COUPLINGS

Masterflex - Flexible Drive Shaft

Ball Bearing Type : 0.8 - 10.5Nm, 6mm Bores

Shaft Size 6 - High Duty with Ball Bearings



▨ = Rotating part (between ▨ is the static portion which requires securing)

Discounts: 5+ -5% 25+ -10%

Direction	Min Operating Radius	Torsional Deflection (0.1Nm load at 1m length)		Rpm Max	Max Torque (Nm) v Bend Radius (mm)					
		Wind	Unwind		125mm	150mm	200mm	250mm	300mm	500mm
A & C	125	3.50°	8.75°	8000	0.80Nm	1.05Nm	1.35Nm	1.70Nm	2.25Nm	2.85Nm
B	125	1.50°	3.25°	3000	4.00Nm	5.00Nm	7.00Nm	8.00Nm	9.00Nm	10.50Nm

Part Number	Bore	Max Speed A & C Rpm	Price 500mm	Price 1000mm	Price 1500mm	Price 2000mm	Price 2500mm	Price 3000mm
FD6-L	Ø6	8000	£160.04	£182.16	£204.06	£225.94	£247.88	£282.44

Material

Shafts & Ends: Steel 070M420 with plastic cover

Ordering

Please specify after part number :-

Direction:

C = Clockwise rotation,

B = Bi-direction rotation,

A = Anti-clockwise rotation.

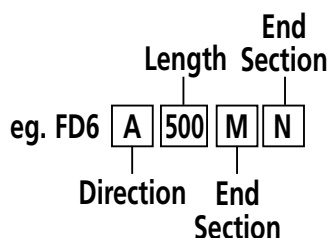
Length:

L = Length (mm) (other lengths available eg. 375mm at 500mm price)

End Type (Ball Bearing):

M = 4mm Nuts (supplied both ends as standard)

N = M4 Grubscrew (available on request)



+44 (0)1246 455500

+44 (0)1246 455522

ondrives

sales@ondrives.com

www.ondrives.com

Product information updated 1st April 2009 and subject to change. Please contact Sales for an accurate price and delivery.

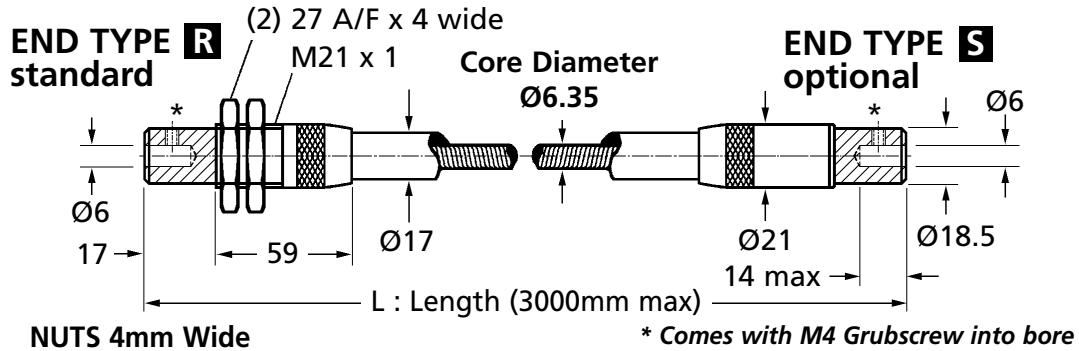
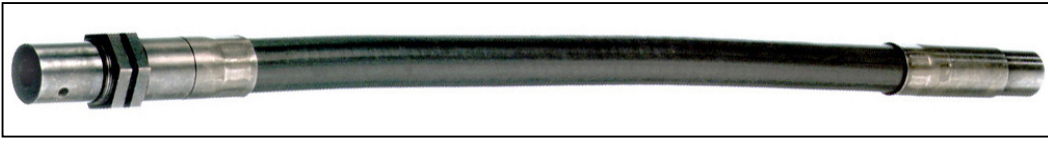
COUPLINGS

FDQ6

Masterflex - Flexible Drive Shaft

Oilite Bush Type : 0.8 - 10.5Nm, 6mm Bores

Shaft Size 6 - Normal Duty with Oilite Bushes



▨ = Rotating part (between ▨ is the static portion which requires securing)

Discounts: 5+ -5% | 25+ -10%

Direction	Min Operating Radius	Torsional Deflection (0.1Nm load at 1m length)		Rpm Max	Max Torque (Nm) v Bend Radius (mm)					
		Wind	Unwind		125mm	150mm	200mm	250mm	300mm	500mm
A & C	125	3.50°	8.75°	2000	0.80Nm	1.05Nm	1.35Nm	1.70Nm	2.25Nm	2.85Nm
B	125	1.50°	3.25°	200	4.00Nm	5.00Nm	7.00Nm	8.00Nm	9.00Nm	10.50Nm

Part Number	Bore	Max Speed A & C Rpm	Price 500mm	Price 1000mm	Price 1500mm	Price 2000mm	Price 2500mm	Price 3000mm
FDQ6-L	Ø6	2000	£133.68	£155.82	£177.71	£199.62	£221.57	£256.10

Material

Shafts & Ends: Steel 070M420 with plastic cover

Ordering

Please specify after part number :-

Direction:

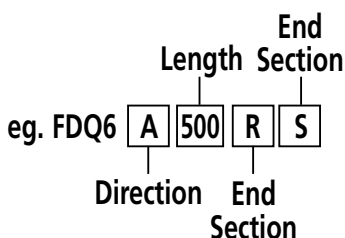
- C = Clockwise rotation,
- B = Bi-direction rotation,
- A = Anti-clockwise rotation.

Length:

L = Length (mm) (other lengths available eg. 375mm at 500mm price)

End Type (Oilite Bushes):

- R = 4mm Nuts (supplied both ends as standard)
- S = M4 Grubscrew (available on request)



+44 (0)1246 455500
+44 (0)1246 455522

ondrives

sales@ondrives.com
www.ondrives.com

Product information updated 1st April 2009 and subject to change. Please contact Sales for an accurate price and delivery.

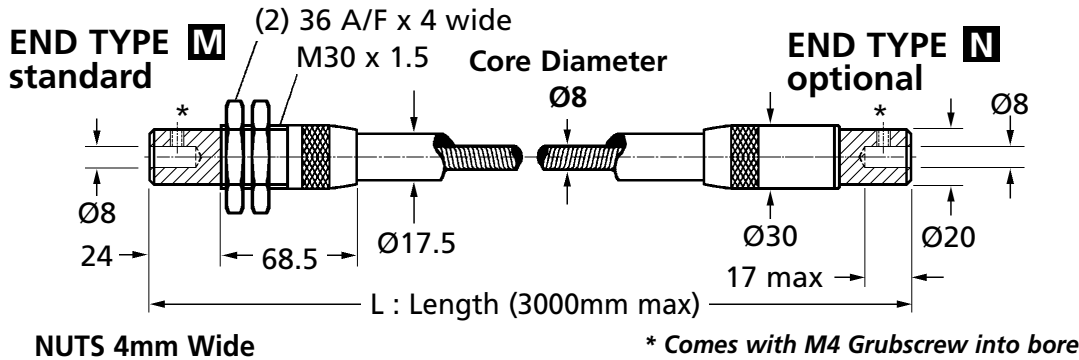
FD8

COUPLINGS

Masterflex - Flexible Drive Shaft

Ball Bearing Type : 2.7 - 18.5Nm, 8mm Bores

Shaft Size 8 - High Duty with Ball Bearings



▨ = Rotating part (between ▨ is the static portion which requires securing)

Discounts: 5+ -5% 25+ -10%

Direction	Min Operating Radius	Torsional Deflection (0.1Nm load at 1m length)		Rpm Max	Max Torque (Nm) v Bend Radius (mm)					
		Wind	Unwind		150mm	175mm	200mm	250mm	350mm	600mm
A & C	150	0.65°	1.25°	6000	2.70Nm	3.00Nm	3.60Nm	4.20Nm	4.75Nm	5.50Nm
B	200	0.50°	0.80°	2000	7.00Nm	9.60Nm	10.00Nm	12.50Nm	15.80Nm	18.50Nm

Part Number	Bore	Max Speed A & C Rpm	Price 500mm	Price 1000mm	Price 1500mm	Price 2000mm	Price 2500mm	Price 3000mm
FD8-L	$\varnothing 8$	6000	£171.62	£191.35	£211.16	£230.99	£253.21	£270.43

Material

Shafts & Ends: Steel 070M420 with plastic cover

Ordering

Please specify after part number :-

Direction:

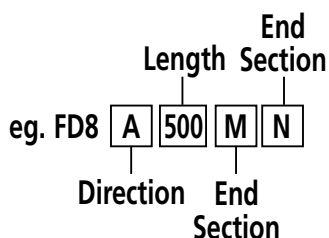
- C = Clockwise rotation,
- B = Bi-direction rotation,
- A = Anti-clockwise rotation.

Length:

L = Length (mm) (other lengths available eg. 375mm at 500mm price)

End Type (Ball Bearing):

- M = 4mm Nuts (supplied both ends as standard)
- N = M4 Grubscrew (available on request)



+44 (0)1246 455500
+44 (0)1246 455522

ondrives

sales@ondrives.com
www.ondrives.com

Product information updated 1st April 2009 and subject to change. Please contact Sales for an accurate price and delivery.

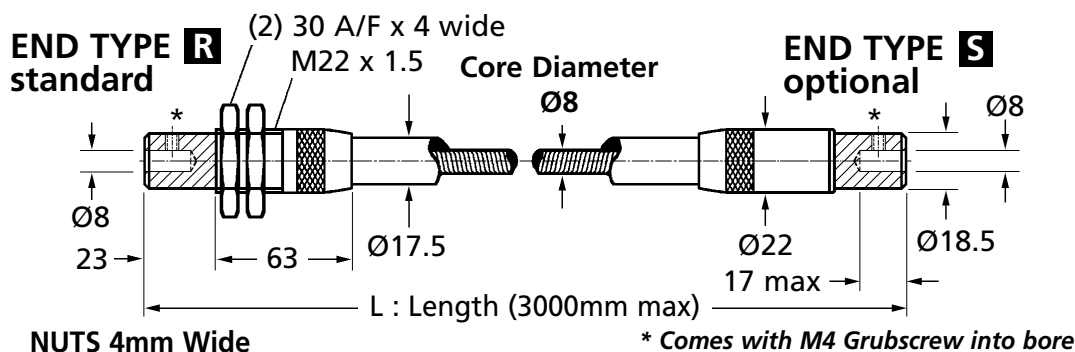
COUPLINGS

FDQ8

Masterflex - Flexible Drive Shaft

Oilite Bush Type : 2.7 - 18.5Nm, 8mm Bores

Shaft Size 8 - Normal Duty with Oilite Bushes



▨ = Rotating part (between ▨ is the static portion which requires securing)

Discounts: 5+ -5% | 25+ -10%

Direction	Min Operating Radius	Torsional Deflection (0.1Nm load at 1m length)		Rpm Max	Max Torque (Nm) v Bend Radius (mm)					
		Wind	Unwind		150mm	175mm	200mm	250mm	350mm	600mm
A & C	150	0.65°	1.25°	2000	2.70Nm	3.00Nm	3.60Nm	4.20Nm	4.75Nm	5.50Nm
B	200	0.50°	0.80°	200	7.00Nm	9.60Nm	10.00Nm	12.50Nm	15.80Nm	18.50Nm

Part Number	Bore	Max Speed A & C Rpm	Price 500mm	Price 1000mm	Price 1500mm	Price 2000mm	Price 2500mm	Price 3000mm
FDQ8-L	Ø8	2000	£140.23	£159.83	£179.64	£199.49	£221.70	£238.92

Material

Shafts & Ends: Steel 070M420 with plastic cover

Ordering

Please specify after part number :-

Direction:

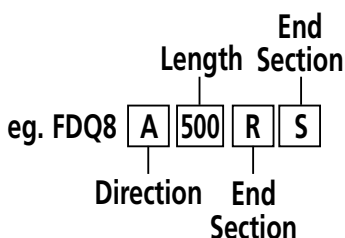
- C = Clockwise rotation,
- B = Bi-direction rotation,
- A = Anti-clockwise rotation.

Length:

L = Length (mm) (other lengths available eg. 375mm at 500mm price)

End Type (Oilite Bushes):

- R = 4mm Nuts (supplied both ends as standard)
- S = M4 Grubscrew (available on request)



+44 (0)1246 455500
+44 (0)1246 455522

ondrives

sales@ondrives.com
www.ondrives.com

Product information updated 1st April 2009 and subject to change. Please contact Sales for an accurate price and delivery.

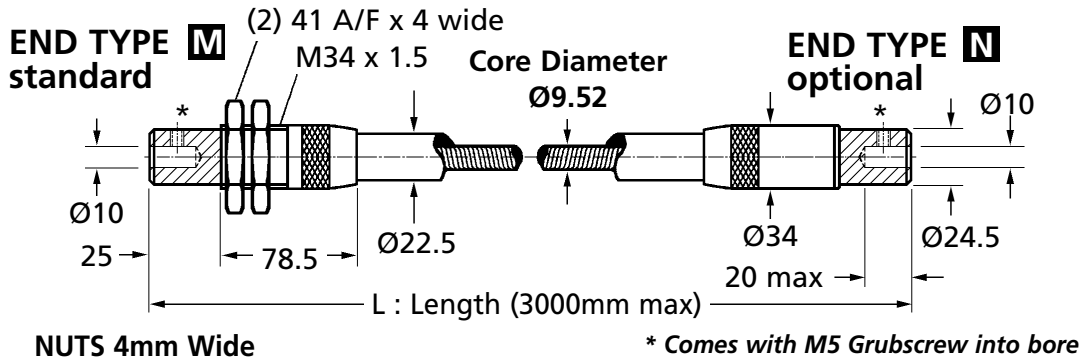
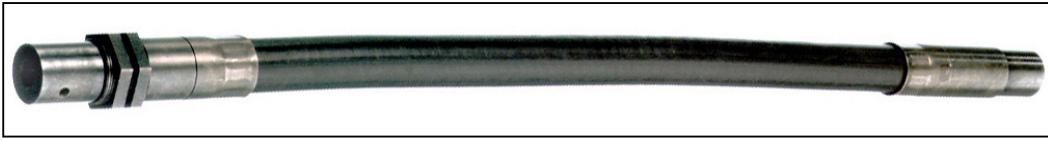
FD9

COUPLINGS

Masterflex - Flexible Drive Shaft

Ball Bearing Type : 4.5 - 28Nm, 10mm Bores

Shaft Size 9 - High Duty with Ball Bearings



▨ = Rotating part (between ▨ is the static portion which requires securing)

Discounts: 5+ -5% 25+ -10%

Direction	Min Operating Radius	Torsional Deflection (0.1Nm load at 1m length)		Rpm Max	Max Torque (Nm) v Bend Radius (mm)					
		Wind	Unwind		200mm	250mm	250mm	350mm	500mm	600mm
A & C	200	0.90°	2.15°	6000	4.50Nm	5.40Nm	6.00Nm	6.55Nm	7.10Nm	7.25Nm
B	200	0.30°	0.63°	2000	13.00Nm	17.00Nm	20.00Nm	23.00Nm	26.00Nm	28.00Nm

Part Number	Bore	Max Speed A & C Rpm	Price 500mm	Price 1000mm	Price 1500mm	Price 2000mm	Price 2500mm	Price 3000mm
FD9-L	Ø10	6000	£204.68	£234.84	£264.97	£295.12	£325.25	£355.40

Material

Shafts & Ends: Steel 070M420 with plastic cover

Ordering

Please specify after part number :-

Direction:

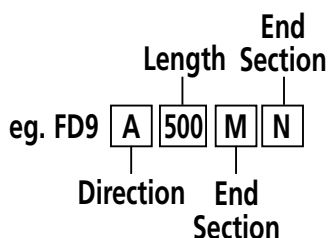
- C = Clockwise rotation,
- B = Bi-direction rotation,
- A = Anti-clockwise rotation.

Length:

L = Length (mm) (other lengths available eg. 375mm at 500mm price)

End Type (Ball Bearing):

- M = 4mm Nuts (supplied both ends as standard)
- N = M5 Grubscrew (available on request)



+44 (0)1246 455500
+44 (0)1246 455522

ondrives

sales@ondrives.com
www.ondrives.com

Product information updated 1st April 2009 and subject to change. Please contact Sales for an accurate price and delivery.

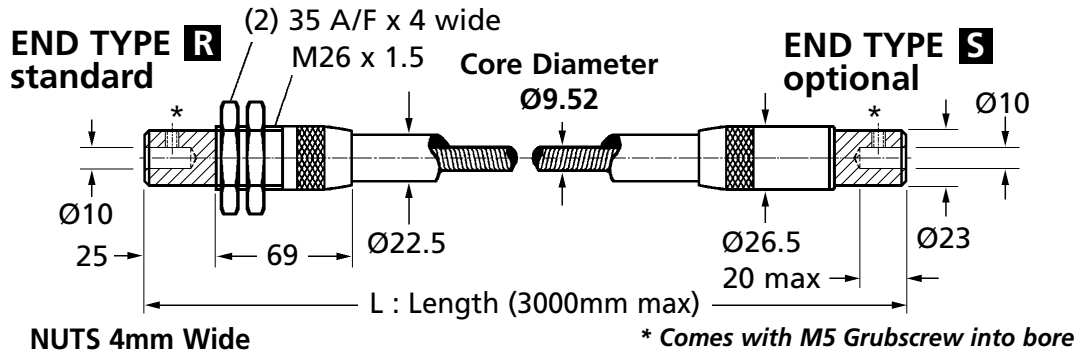
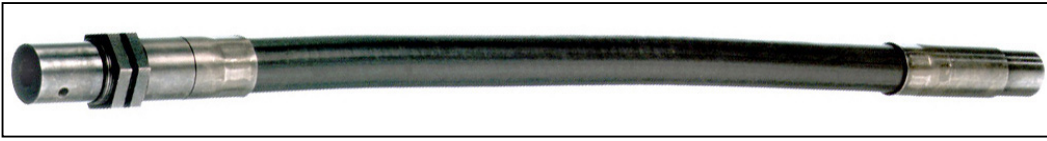
COUPLINGS

FDQ9

Masterflex - Flexible Drive Shaft

Oilite Bush Type : 4.5 - 28Nm, 10mm Bores

Shaft Size 9 - Normal Duty with Oilite Bushes



▨ = Rotating part (between ▨ is the static portion which requires securing)

Discounts: 5+ -5% | 25+ -10%

Direction	Min Operating Radius	Torsional Deflection (0.1Nm load at 1m length)		Rpm Max	Max Torque (Nm) v Bend Radius (mm)					
		Wind	Unwind		200mm	250mm	250mm	350mm	500mm	600mm
A & C	200	0.90°	2.15°	2000	4.50Nm	5.40Nm	6.00Nm	6.55Nm	7.10Nm	7.25Nm
B	200	0.30°	0.63°	200	13.00Nm	17.00Nm	20.00Nm	23.00Nm	26.00Nm	28.00Nm

Part Number	Bore	Max Speed A & C Rpm	Price 500mm	Price 1000mm	Price 1500mm	Price 2000mm	Price 2500mm	Price 3000mm
FDQ9-L	Ø10	2000	£171.90	£202.11	£232.17	£263.17	£298.11	£328.27

Material

Shafts & Ends: Steel 070M420 with plastic cover

Ordering

Please specify after part number :-

Direction:

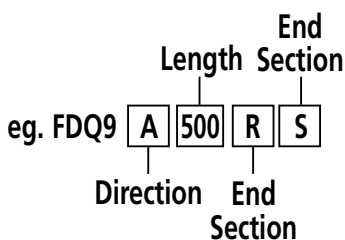
- C = Clockwise rotation,
- B = Bi-direction rotation,
- A = Anti-clockwise rotation.

Length:

L = Length (mm) (other lengths available eg. 375mm at 500mm price)

End Type (Oilite Bushes):

- R = 4mm Nuts (supplied both ends as standard)
- S = M5 Grubscrew (available on request)



+44 (0)1246 455500
+44 (0)1246 455522

ondrives

sales@ondrives.com
www.ondrives.com

Product information updated 1st April 2009 and subject to change. Please contact Sales for an accurate price and delivery.

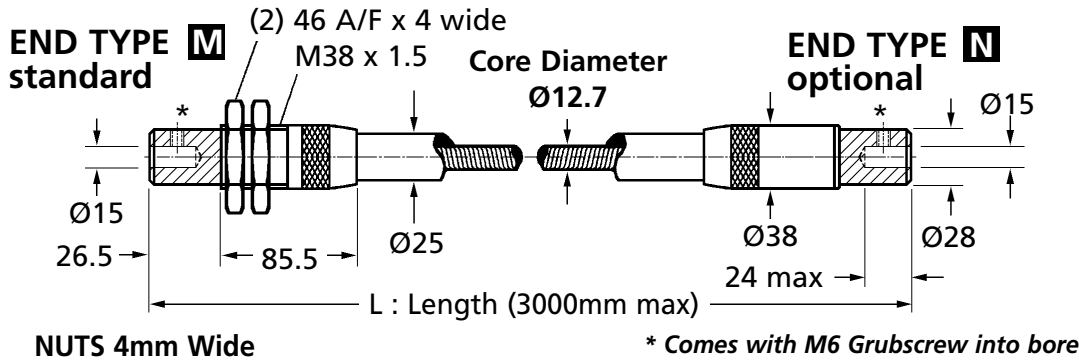
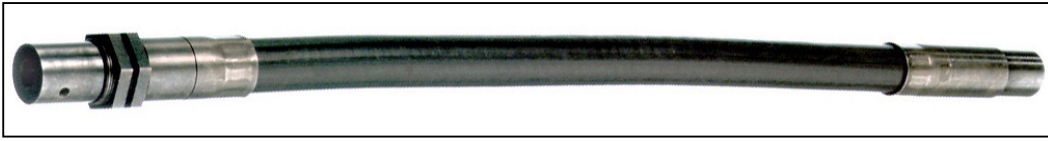
FD13

COUPLINGS

Masterflex - Flexible Drive Shaft

Ball Bearing Type : 10 - 56Nm, 15mm Bores

Shaft Size 13 - High Duty with Ball Bearings



▨ = Rotating part (between ▨ is the static portion which requires securing)

Discounts: 5+ -5% 25+ -10%

Direction	Min Operating Radius	Torsional Deflection (0.1Nm load at 1m length)		Rpm Max	Max Torque (Nm) v Bend Radius (mm)					
		Wind	Unwind		250mm	300mm	350mm	500mm	600mm	1000mm
A & C	250	0.20°	0.47°	4000	7.90Nm	10.00Nm	12.00Nm	13.00Nm	14.00Nm	15.00Nm
B	250	0.11°	0.20°	2000	23.00Nm	32.00Nm	41.00Nm	49.00Nm	55.00Nm	56.00Nm

Part Number	Bore	Max Speed A & C Rpm	Price 500mm	Price 1000mm	Price 1500mm	Price 2000mm	Price 2500mm	Price 3000mm
FD13-L	$\varnothing 15$	4000	£228.61	£270.74	£313.47	£355.03	£398.19	£439.32

Material

Shafts & Ends: Steel 070M420 with plastic cover

Ordering

Please specify after part number :-

Direction:

C = Clockwise rotation,

B = Bi-direction rotation,

A = Anti-clockwise rotation.

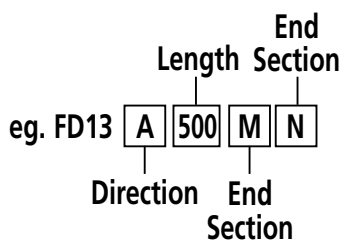
Length:

L = Length (mm) (other lengths available eg. 375mm at 500mm price)

End Type (Ball Bearing):

M = 4mm Nuts (supplied both ends as standard)

N = M6 Grubscrew (available on request)



+44 (0)1246 455500

+44 (0)1246 455522

ondrives

sales@ondrives.com

www.ondrives.com

Product information updated 1st April 2009 and subject to change. Please contact Sales for an accurate price and delivery.

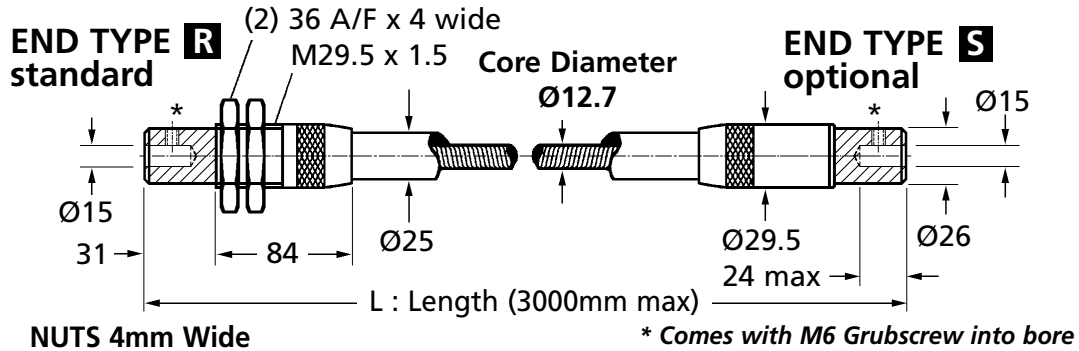
COUPLINGS

FDQ13

Masterflex - Flexible Drive Shaft

Oilite Bush Type : 10 - 56Nm, 15mm Bores

Shaft Size 13 - Normal Duty with Oilite Bushes



▨ = Rotating part (between ▨ is the static portion which requires securing)

Discounts: 5+ -5% | 25+ -10%

Direction	Min Operating Radius	Torsional Deflection (0.1Nm load at 1m length)		Rpm Max	Max Torque (Nm) v Bend Radius (mm)					
		Wind	Unwind		250mm	300mm	350mm	500mm	600mm	1000mm
A & C	250	0.20°	0.47°	2000	7.90Nm	10.00Nm	12.00Nm	13.00Nm	14.00Nm	15.00Nm
B	250	0.11°	0.20°	200	23.00Nm	32.00Nm	41.00Nm	49.00Nm	55.00Nm	56.00Nm

Part Number	Bore	Max Speed A & C Rpm	Price 500mm	Price 1000mm	Price 1500mm	Price 2000mm	Price 2500mm	Price 3000mm
FDQ13-L	Ø15	2000	£192.61	£235.30	£277.06	£319.22	£361.35	£403.51

Material

Shafts & Ends: Steel 070M420 with plastic cover

Ordering

Please specify after part number :-

Direction:

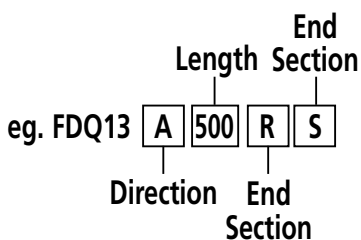
- C = Clockwise rotation,
- B = Bi-direction rotation,
- A = Anti-clockwise rotation.

Length:

L = Length (mm) (other lengths available eg. 375mm at 500mm price)

End Type (Oilite Bushes):

- R = 4mm Nuts (supplied both ends as standard)
- S = M6 Grubscrew (available on request)



+44 (0)1246 455500
+44 (0)1246 455522

ondrives

sales@ondrives.com
www.ondrives.com

Product information updated 1st April 2009 and subject to change. Please contact Sales for an accurate price and delivery.

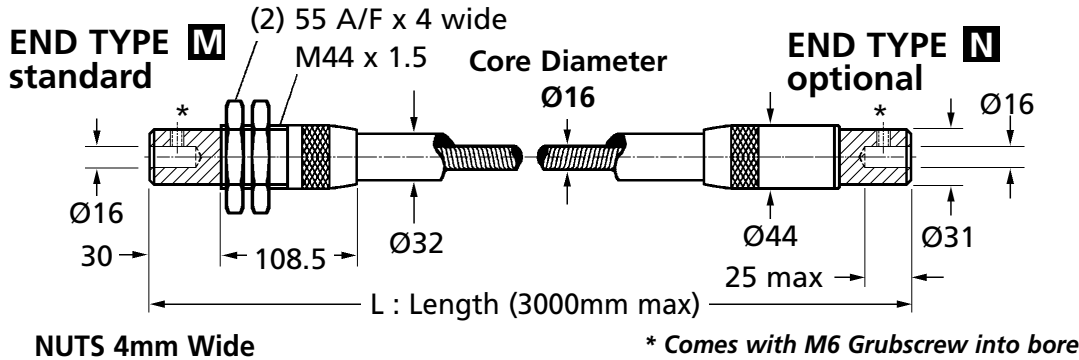
FD16

COUPLINGS

Masterflex - Flexible Drive Shaft

Ball Bearing Type : 12.5 - 50Nm, 16mm Bores

Shaft Size 16 - High Duty with Ball Bearings



▨ = Rotating part (between ▨ is the static portion which requires securing)

Discounts: 5+ -5% 25+ -10%

Direction	Min Operating Radius	Torsional Deflection (0.1Nm load at 1m length)		Rpm Max	Max Torque (Nm) v Bend Radius (mm)					
		Wind	Unwind		300mm	350mm	500mm	600mm	800mm	1000mm
A & C	300	0.27°	0.23°	2000	12.50Nm	14.00Nm	16.00Nm	18.00Nm	20.00Nm	25.00Nm
B	300	0.06°	0.13°	1500	20.00Nm	28.00Nm	35.00Nm	40.00Nm	45.00Nm	50.00Nm

Part Number	Bore	Max Speed A & C Rpm	Price 500mm	Price 1000mm	Price 1500mm	Price 2000mm	Price 2500mm	Price 3000mm
FD16-L	Ø16	2000	£286.56	£345.46	£404.33	£463.27	£528.24	£581.03

Material

Shafts & Ends: Steel 070M420 with plastic cover

Ordering

Please specify after part number :-

Direction:

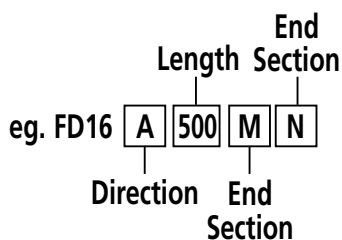
- C = Clockwise rotation,
- B = Bi-direction rotation,
- A = Anti-clockwise rotation.

Length:

L = Length (mm) (other lengths available eg. 375mm at 500mm price)

End Type (Ball Bearing):

- M = 4mm Nuts (supplied both ends as standard)
- N = M6 Grubscrew (available on request)



+44 (0)1246 455500
+44 (0)1246 455522

ondrives

sales@ondrives.com
www.ondrives.com

Product information updated 1st April 2009 and subject to change. Please contact Sales for an accurate price and delivery.

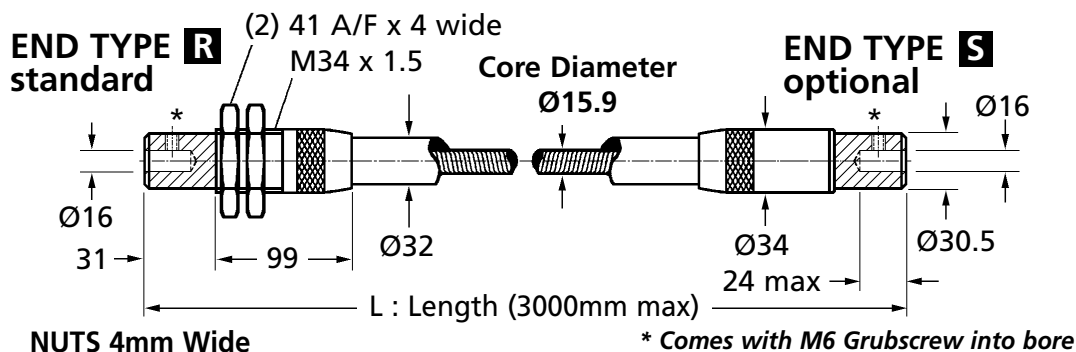
COUPLINGS

FDQ16

Masterflex - Flexible Drive Shaft

Oilite Bush Type : 12.5 - 50Nm, 16mm Bores

Shaft Size 16 - Normal Duty with Oilite Bushes



▨ = Rotating part (between ▨ is the static portion which requires securing)

Discounts: 5+ -5% 25+ -10%

Direction	Min Operating Radius	Torsional Deflection (0.1Nm load at 1m length)		Rpm Max	Max Torque (Nm) v Bend Radius (mm)					
		Wind	Unwind		300mm	350mm	500mm	600mm	800mm	1000mm
A & C	300	0.27°	0.23°	500	12.50Nm	14.00Nm	16.00Nm	18.00Nm	20.00Nm	25.00Nm
B	300	0.06°	0.13°	200	20.00Nm	28.00Nm	35.00Nm	40.00Nm	45.00Nm	50.00Nm

Part Number	Bore	Max Speed A & C Rpm	Price 500mm	Price 1000mm	Price 1500mm	Price 2000mm	Price 2500mm	Price 3000mm
FDQ16-L	Ø16	500	£240.18	£299.10	£357.99	£416.89	£476.32	£535.07

Material

Shafts & Ends: Steel 070M420 with plastic cover

Ordering

Please specify after part number :-

Direction:

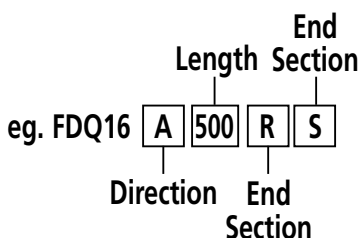
- C = Clockwise rotation,
- B = Bi-direction rotation,
- A = Anti-clockwise rotation.

Length:

L = Length (mm) (other lengths available eg. 375mm at 500mm price)

End Type (Oilite Bushes):

- R = 4mm Nuts (supplied both ends as standard)
- S = M6 Grubscrew (available on request)



COUPLINGS

Masterflex

Flexible Drive Shaft *Any Length*

With any flexible shaft assembly there are four main criteria to selecting the most appropriate assembly for your application :-

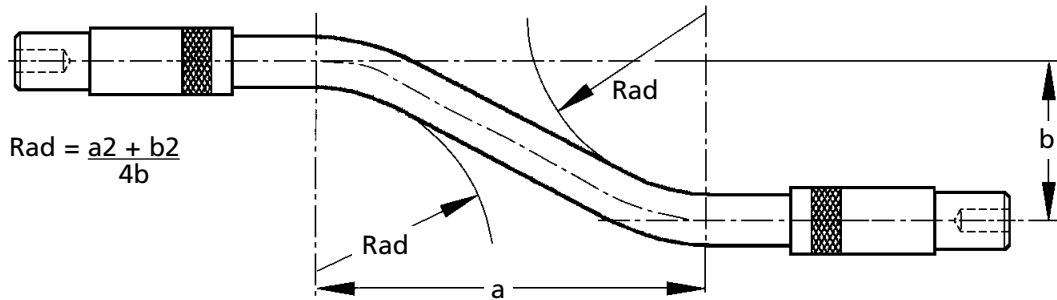
Direction of rotation; flexibility required; speed (rpm); torque rating.

If the above four criteria suffice, it is also worth considering other factors and influences such as the amount of bends, duty cycle, torsional deflection required (or maximum allowable) and environment.

Flexibility

The flexible core has a layer of grease for lubrication in operations of continuous usage eg. an 8 hour day. We recommend you regrease and check the flexible centre every 3 months. The knurled ends unscrew to allow the shaft to come out. Re-seal after inspection

Spare flexible centres can be purchased to replace broken or worn examples.



Speed:

When considering the speed of the shaft use the maximum rotational speed (rpm) in making your selection. If the speed is less than 200 rpm, or the duty cycle is low and the speed is less than 1000 rpm, then a bi-directional shaft may be selected (**B Type**) if preferred - usually where higher torsional rigidity is required.

Torque:

Use the following formula to estimate the running torque for your application. Consideration must also be given to the stall and start-up torque. Use the lowest running speed to determine the torque!

$$\text{Torque (Nm)} = \frac{P(\text{kW}) \times 9550}{\text{rpm}}$$

Direction of Rotation

Direction of rotation is determined by viewing the shaft from behind the driving end towards the driven end. Rotation is either Clockwise (**C**), Anti-clockwise (**A**) or Bi-directional (**B**). It is important to correctly identify the direction of rotation as uni-directional shafts are manufactured to suit the selected direction.