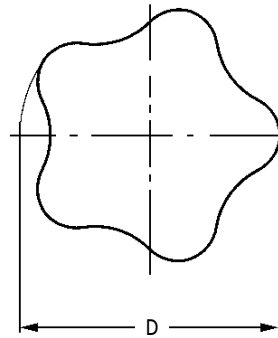
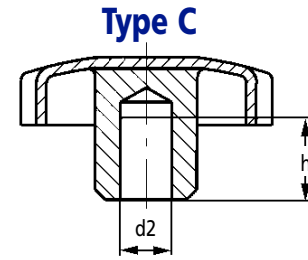
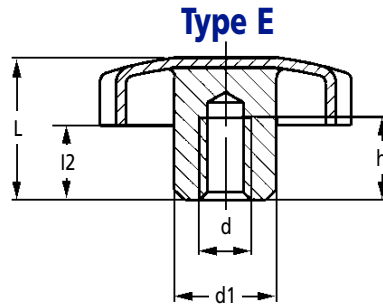
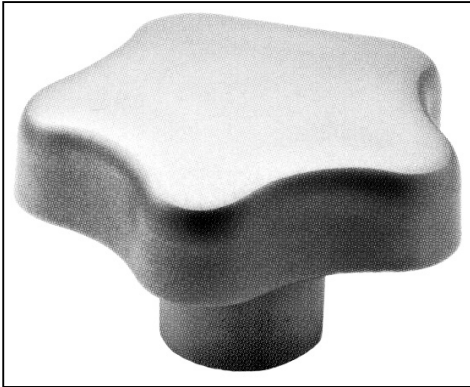


GN.28

MECHANICAL

Star Knobs

AISI 304 Stainless Steel

**Discounts:** 20+ -15% 40+ -20% 60+ -25% 100+ -30%

Part Number	Type	D	L	d1	l2	Mounting Hole			Weight g	Price Each 1 - 19
						d2 H7	d 6H	h		
GN.28501	C	40	24	14	12.0	8	-	15	36	£9.73
GN.28505	E	40	24	14	12.0	-	M8	15	37	£9.92
GN.28511	C	50	31	18	17.5	10	-	18	63	£11.92
GN.28515	E	50	31	18	17.5	-	M10	18	65	£12.64
GN.28521	C	60	39	20	21.0	12	-	22	105	£13.57
GN.28525	E	60	39	20	21.0	-	M12	22	107	£14.39

Material

AISI 304 sand-blasted stainless steel, with matte finish.

Hub: Butt-welded with H7 tolerance plain blind hole (Type C) or tapped blind hole (Type E).

Other Info.

The low sulphur contents of AISI 304 stainless steel (less than 0.03%) makes them particularly resistant to corrosion.

Therefore, these star knobs are particularly suitable for applications on machines and equipment in the food, chemical or pharmaceutical industry and wherever hygienic, or environmental factors make it mandatory the use of corrosion-resistant materials.



+44 (0)1246 455500
+44 (0)1246 455522

ondrives

sales@ondrives.com
www.ondrives.com

Product information updated 1st April 2011 and subject to change. Please contact Sales for the latest prices and availability.