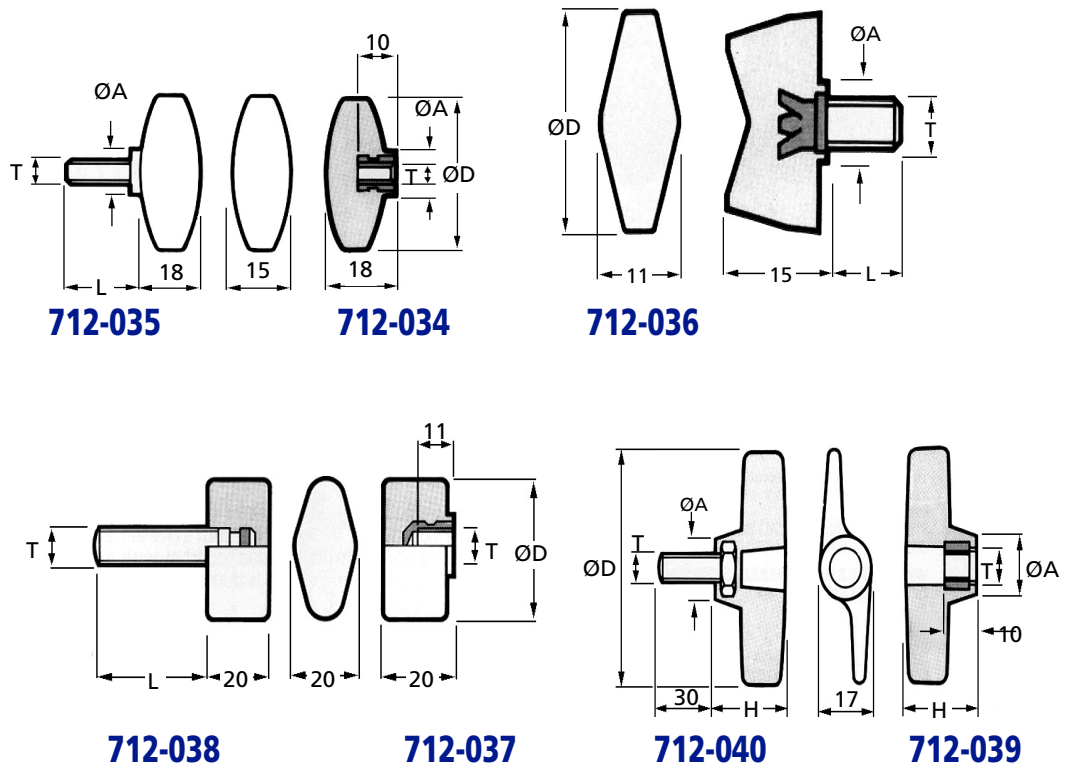


Male & Female Wing Knobs

M6 - M8



Discounts: 20+ -20% 50+ -30% 100+ -40% 200+ -50% 500+ -60%

Part Number	T Thread Options	ØD	H	L	ØA	Price Each 1 - 19
712-034	M6	40 - Female	-	-	13	£2.52
712-035	M6	40 - Male	-	20	15	£2.07
712-037	M8	40 - Female	-	-	-	£3.13
712-038	M8	40 - Male	-	20	-	£3.97
712-036	M6	28 - Male	-	15	10	£0.85
712-039	M8	70 - Female	25	-	18	£1.69
712-040	M8	70 - Male	25	-	18	£2.24

Material

Plastic (high grade gloss black phenolic) with Steel Insert.

Performance

Temperature Range: -30°C to +140°C

Other Info.

A choice of wing knobs with plated steel threaded male inserts.