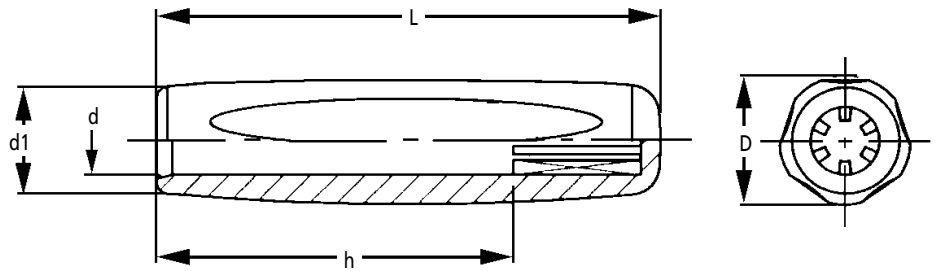
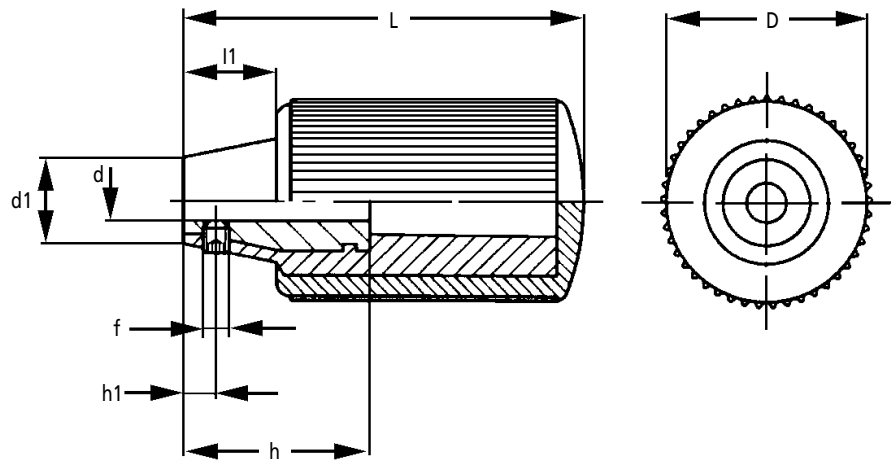




**Handles**



**Knurled Handles**



**Discounts:** 20+ -15%   40+ -20%   60+ -25%   100+ -30%

Part Number	L	D	d1	l1	h1	f	Mounting Hole		Threaded Stud		Weight g	Price Each 1 - 19
							d	h	d H7	h		
<b>HANDLES</b>												
286151-C1	85	22	18	-	-	-	8	60	-	-	21	£4.75
<b>KNURLED HANDLES</b>												
120402	60	30	13	14	5	M4	-	-	6	28	59	£14.86

### Material

**Handles:** Special soft touch elastomer technopolymer (hardness 90 Shore A), black with matte finish. Resistant to solvents, oils, greases and other chemical agents.

**Knurled Handles:** - Glass fibre reinforced special black technopolymer, with matte finish coated with soft touch elastomer (hardness 90 Shore A).

Resistant to solvents, oils, greases and other chemical agents. Brass insert with plain hole.

### Other Info.

**Handles:** Push fit on plain shaft made from standard h9 tolerance bright drawn stock bars. Elastic coupling: it is not affected by vibration and does not tend to loosen under normal working conditions. In laboratory tests this handle resisted to more than 400N of axial load. Assembly instructions: carefully fit handle onto slightly chamfered end of shaft and push as far as possible by hand, then tap handle with plastic or wooden mallet until firmly in place.

**Knurled Handles:** Supplied with socket set screw for fitting to shaft in compliance with UNI 929-85 (grub screw with hexagon socket and cup end).

The soft surface of this handle gives the operator's hand a soft feel and provides a better and more efficient ergonomic grip, not subject to environmental conditions.

