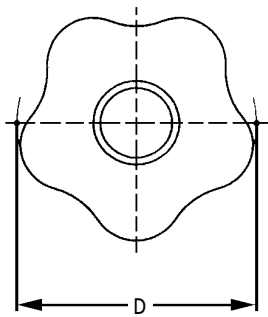
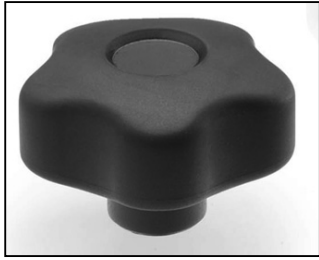
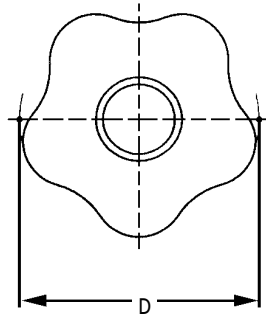
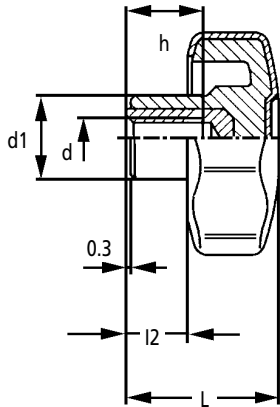


Soft Star Knobs

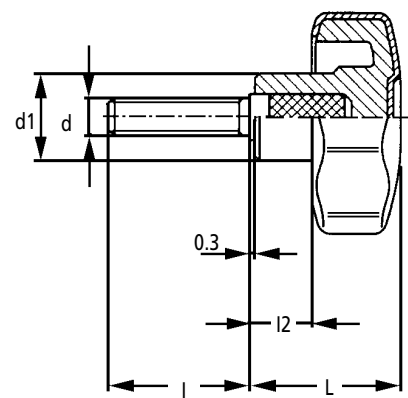
M8 - M10



Female



Male



Discounts: 20+ -5%	40+ -10%	60+ -15%	100+ -20%
--------------------	----------	----------	-----------

Part Number	D	L	d1	l2	Mounting Hole		Threaded Stud		Weight g	Max Limit Tightening Torque Nm	Price Each 1 - 19
					d 6H	h	d 6g	l			
FEMALE											
169894	43	26	17	11	M8	15	-	-	20	20	£6.61
169954	53	34	19	13	M10	18	-	-	36	36	£7.21
MALE											
169911	43	29	17	11	-	-	M8	16	19	19	£6.49
169913	43	29	17	11	-	-	M8	25	19	19	£6.57
169971	53	34	19	13	-	-	M10	20	36	36	£7.07
169973	53	34	19	13	-	-	M10	30	36	36	£7.10

Material

Special high impact strength black technopolymer, covered with soft-touch elastomer chemically bonded (hardness 70 Shore A).

Resistant to solvents, oils, greases and other chemical agents.

Brass insert with tapped blind hole (Female).

Zinc plated steel stud with chamfered flat end as in UNI table 947: ISO 4753 (Male).

Other Info.

The soft surface of this handle gives the operator's hand a soft feel and provides a better and more efficient ergonomic grip, not subject to environmental conditions.

The operator obtains a strong clamping action without any discomfort thanks to its ergonomic design: five lobes, blended radius and well-proportioned rim height assure a natural, safe and comfortable grip.

elesa