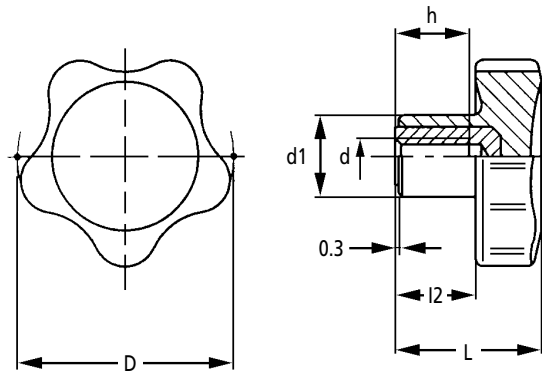


Clean Line Star Knobs Stainless Steel Insert



Discounts: 20+ -15% 40+ -20% 60+ -25% 100+ -30%

Part Number	D	L	d1	l2	Mounting Hole		Weight g	Price Each 1 - 19
					d 6H	h		
151702	32	22.5	14	12.5	M6	10	15	£7.36
151712	40	26.0	15	14.0	M8	13	24	£7.84
151722	50	31.0	18	17.0	M10	17	42	£9.69
151732	60	36.5	21	21.0	M12	20	54	£12.83

Material

Glass fibre reinforced special technopolymer, in white similar to RAL 9002 with matte finish.
Resistant to solvents, oils, greases and other chemical agents.
AISI 303 stainless steel insert with tapped through hole.

Other Info.

This knob in white colour has been designed for application on medical and hospital equipment and on food processing machines whose part must be frequently cleaned for hygienic reasons.

The five-lobe shaft offers the user a secure grip. Its shape is compact with no cavities, avoiding any unhealthy residue deposits.

The metal insert in AISI 303 stainless steel can be used in sectors where corrosion resistant materials are required.

elesa