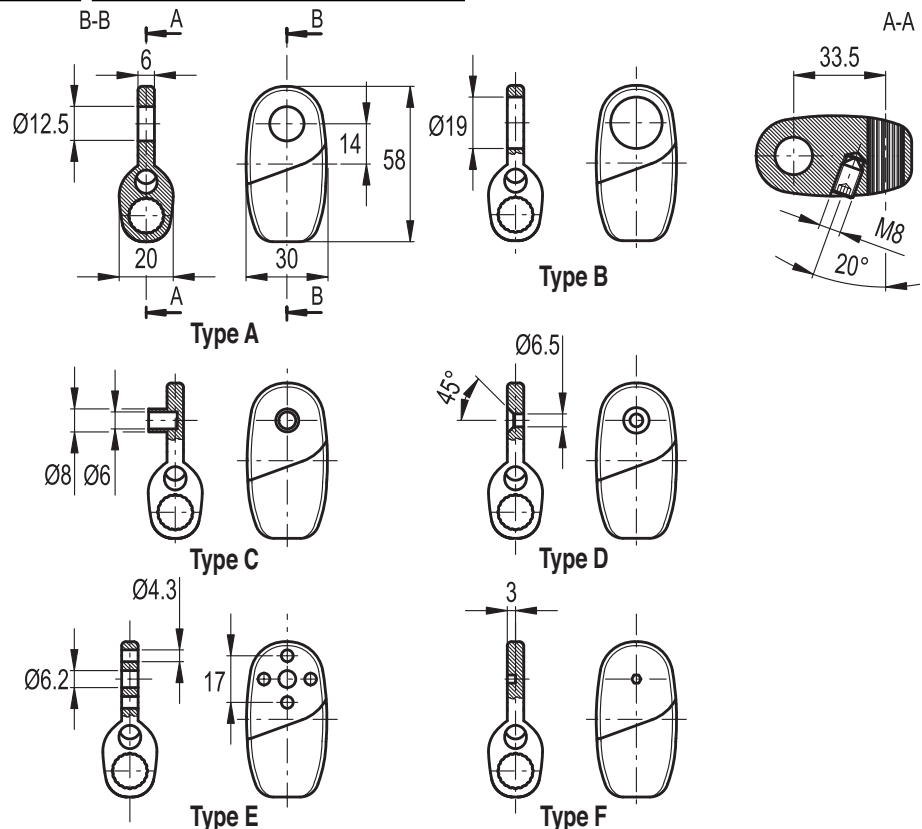
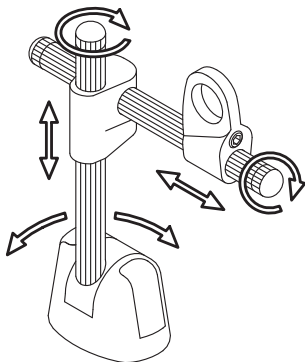


Connecting Clamps

Device Clamp



5 degrees of freedom



Part Number	Weight g	Price Each
MSR60-TA	18	£3.62
MSR60-TB	17	£3.62
MSR60-TC	19	£3.62
MSR60-TD	18	£3.62
MSR60-TE	18	£3.62
MSR60-TF	20	£3.62

Material

Clamp: Glass-fibre reinforced technopolymer, black matte finish.

Performance

Operating Temperature Range: -20°C to +60°C

Features

Connecting clamps have been designed with a particular system patented by ELESA, which allows an easy, quick and efficient connection between the components and prevents them from rotating freely. The system allows the axial, perpendicular or angled positioning of the connecting tube to the base.

Advantages

- Profiled connecting tube preventing free rotation.
- Tube & components clamped by aid of only 1 screw.
- Easy adjustments by five degrees of freedom of the clamped devices.
- Lack of cavities to avoid the deposit of dirt and undesired substances.
- Easy identification of the clamped device thanks to the different coloured caps on the base.