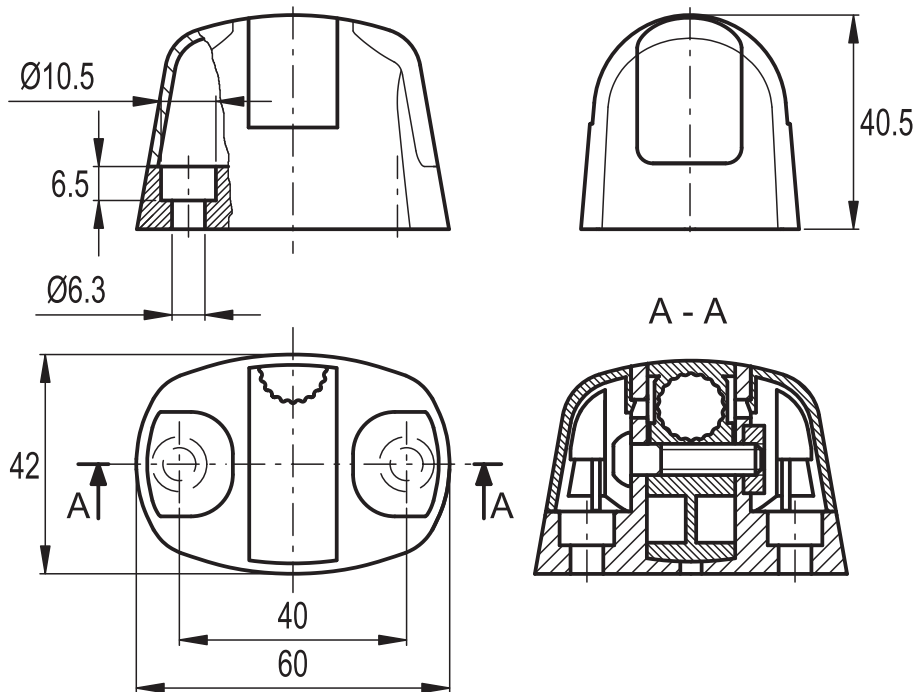
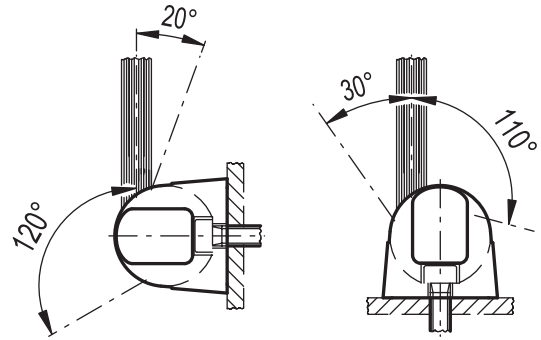


MSR-B

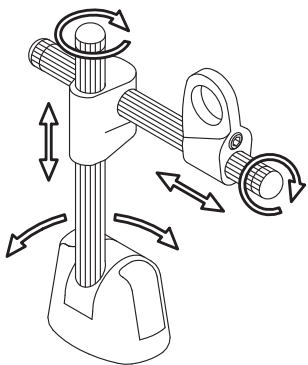
MECHANICAL

Connecting Clamps

Base



5 degrees of freedom

**Part Number**

MSR60-B/C9

Weight g

50

Price Each

£7.07

Material

Base: Glass-fibre reinforced polyamide based (PA) technopolymer, black matte finish.

Screw covers: Technopolymer in black glossy finish (std). Supplied not assembled, push-fit assembly, removable by a screwdriver.

Performance

Operating Temperature Range: -20°C to +60°C

Options

Screw covers in other RAL colours.

Features

Connecting clamps have been designed with a particular system patented by ELESa, which allows an easy, quick and efficient connection between the components and prevents them from rotating freely. The system allows the axial, perpendicular or angled positioning of the connecting tube to the base.

Advantages

- Profiled connecting tube preventing free rotation.
- Tube & components clamped by aid of only 1 screw.
- Easy adjustments by five degrees of freedom of the clamped devices.
- Lack of cavities to avoid the deposit of dirt and undesired substances.
- Easy identification of the clamped device thanks to the different coloured caps on the base.

+44 (0)1246 455500

+44 (0)1246 455522

ondrives

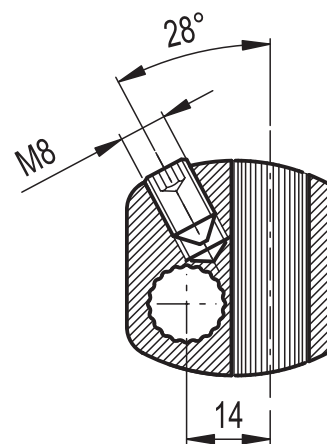
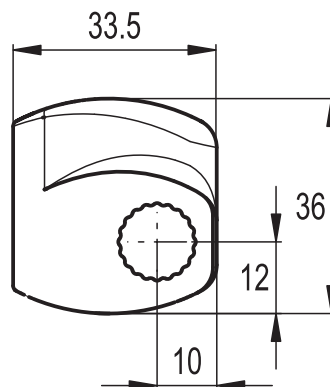
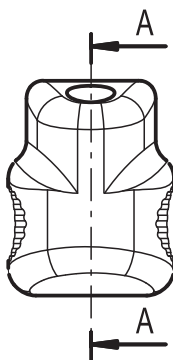
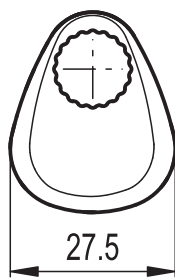
sales@ondrives.com

www.ondrives.com

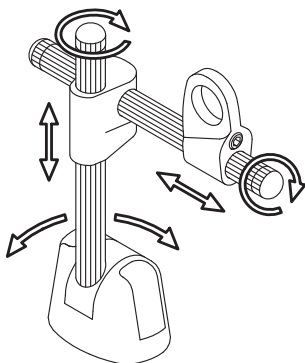
Product information updated 1st April 2011 and subject to change. Please contact Sales for the latest prices and availability.

Connecting Clamps

T-Shape Clamp



5 degrees of freedom



Part Number	Weight g	Price Each
MSR60-C	19	£3.65

Material

Base: Glass-fibre reinforced technopolymer, black matte finish.

Performance

Operating Temperature Range: -20°C to +60°C

Features

Connecting clamps have been designed with a particular system patented by ELESA, which allows an easy, quick and efficient connection between the components and prevents them from rotating freely. The system allows the axial, perpendicular or angled positioning of the connecting tube to the base.

Advantages

- Profiled connecting tube preventing free rotation.
- Tube & components clamped by aid of only 1 screw.
- Easy adjustments by five degrees of freedom of the clamped devices.
- Lack of cavities to avoid the deposit of dirt and undesired substances.
- Easy identification of the clamped device thanks to the different coloured caps on the base.

MECHANICAL

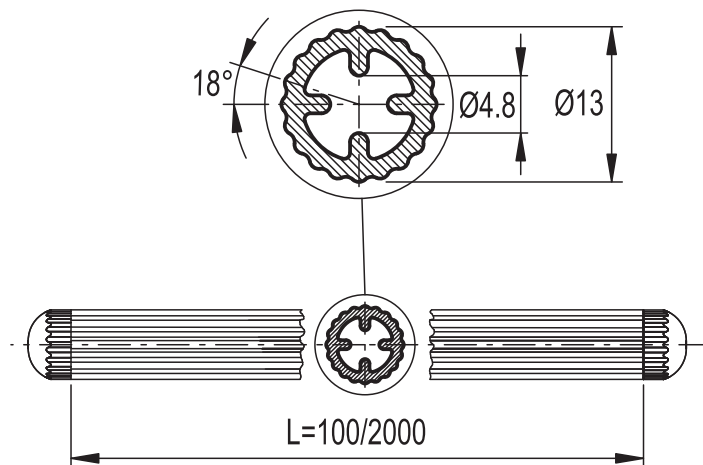
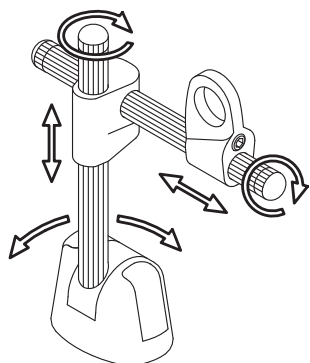
MSR-T13

Connecting Clamps

Connecting Tube



5 degrees of freedom



Part Number	Weight g	Price Each
MSR60-T13-100	20	£2.36
MSR60-T13-150	28	£2.68
MSR60-T13-200	36	£3.04
MSR60-T13-250	44	£3.27
MSR60-T13-300	52	£3.54
MSR60-T13-2000	320	£P.O.A

Material

Tube: Aluminium profile available with standard lengths from 100 to 2000 mm. Other lengths are available on request but may be subject to a minimum order quantity.

Closing Caps: Glass-fibre reinforced technopolymer, black matte finish (supplied not assembled). Caps can be ordered separately, please ask sales. (MSR60-T13-2000 supplied without closing caps).

Performance

Operating Temperature Range: -20°C to +60°C

Features

Connecting clamps have been designed with a particular system patented by ELESA, which allows an easy, quick and efficient connection between the components and prevents them from rotating freely. The system allows the axial, perpendicular or angled positioning of the connecting tube to the base.

Advantages

- Profiled connecting tube preventing free rotation.
- Tube & components clamped by aid of only 1 screw.
- Easy adjustments by five degrees of freedom of the clamped devices.
- Lack of cavities to avoid the deposit of dirt and undesired substances.
- Easy identification of the clamped device thanks to the different coloured caps on the base.

+44 (0)1246 455500
+44 (0)1246 455522

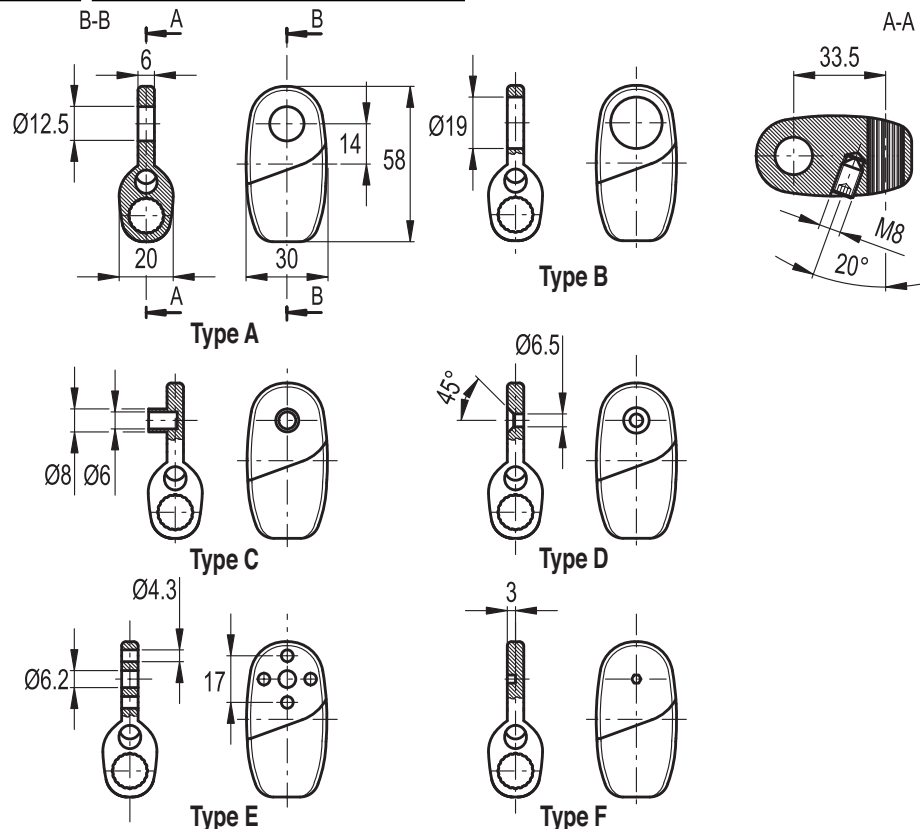
ondrives

sales@ondrives.com
www.ondrives.com

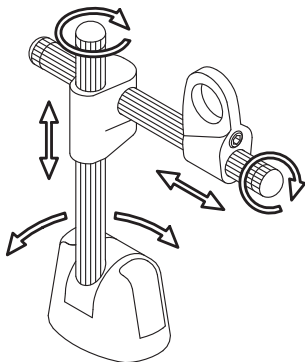
Product information updated 1st April 2011 and subject to change. Please contact Sales for the latest prices and availability.

Connecting Clamps

Device Clamp



5 degrees of freedom



Part Number	Weight g	Price Each
MSR60-TA	18	£3.62
MSR60-TB	17	£3.62
MSR60-TC	19	£3.62
MSR60-TD	18	£3.62
MSR60-TE	18	£3.62
MSR60-TF	20	£3.62

Material

Clamp: Glass-fibre reinforced technopolymer, black matte finish.

Performance

Operating Temperature Range: -20°C to +60°C

Features

Connecting clamps have been designed with a particular system patented by ELESA, which allows an easy, quick and efficient connection between the components and prevents them from rotating freely. The system allows the axial, perpendicular or angled positioning of the connecting tube to the base.

Advantages

- Profiled connecting tube preventing free rotation.
- Tube & components clamped by aid of only 1 screw.
- Easy adjustments by five degrees of freedom of the clamped devices.
- Lack of cavities to avoid the deposit of dirt and undesired substances.
- Easy identification of the clamped device thanks to the different coloured caps on the base.