

SS10A
SS20A

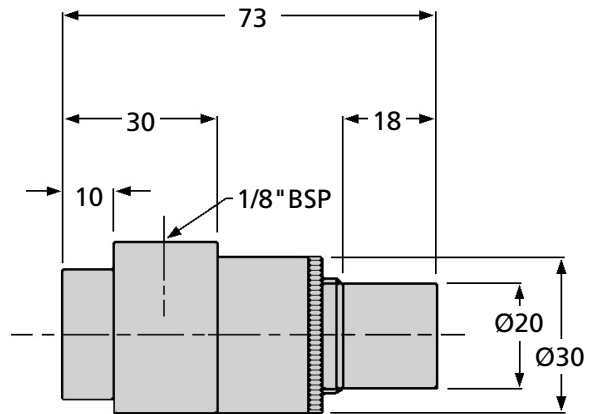
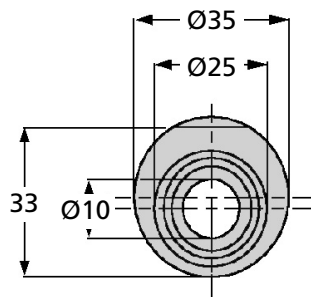
MECHANICAL

Adjustable Airmovers - Small

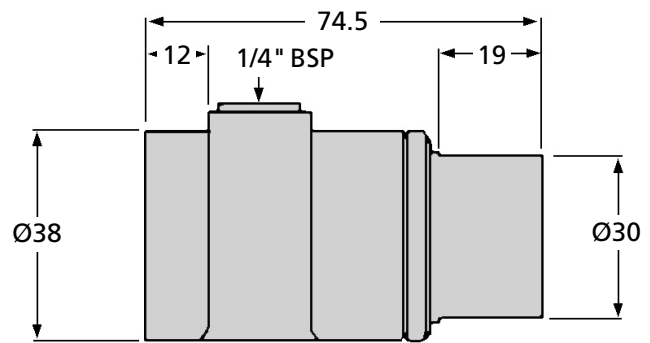
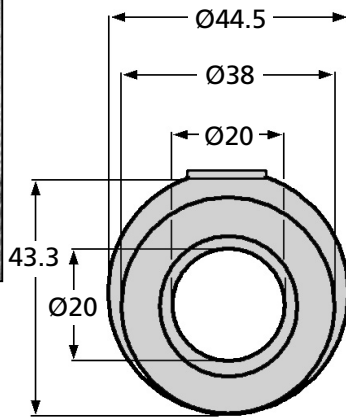
Stainless Steel 303/304



SS10A



SS20A



Performance at Outlet

Bar	Vol in m ³ /min	Vol out m ³ /min
SS10A		
1.38	0.048	0.490
2.76	0.065	0.660
4.14	0.125	0.733
5.52	0.164	0.886
SS20A		
1.38	0.105	1.614
2.76	0.164	2.492
4.14	0.224	3.030
5.52	0.286	3.681

Part Number	Weight	Standard Gap	Db a at:	Shims (mm)	Standard Inlet Thread	Standard Inlet Thread Options	Price Each
SS10A	0.27Kg	Adjustable	5.5 bar is 72	Not Applicable	1/8" BSP	1/8" NPT	£117.69
SS20A	0.39Kg	Adjustable	5.5 bar is 78	Not Applicable	1/4" BSP	1/4" NPT	£185.46

Material

Stainless Steel 303/304.

*1/8" NPTF - Please specify on order

*1/4" NPTF - Please specify on order

+44 (0)1246 455500
+44 (0)1246 455522

ondrives

sales@ondrives.com
www.ondrives.com

Product information updated 1st April 2011 and subject to change. Please contact Sales for the latest prices and availability.

MECHANICAL

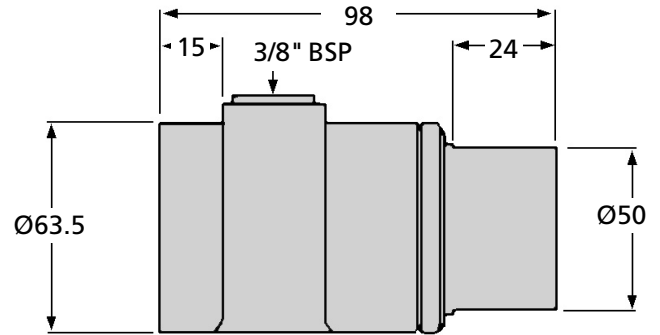
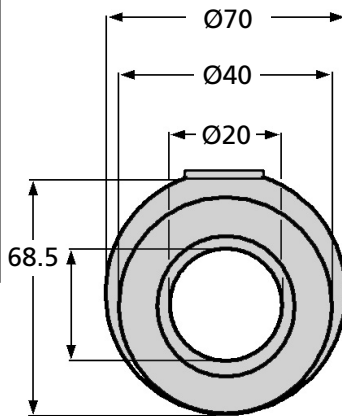
Adjustable Airmovers - Medium

Stainless Steel 303/304

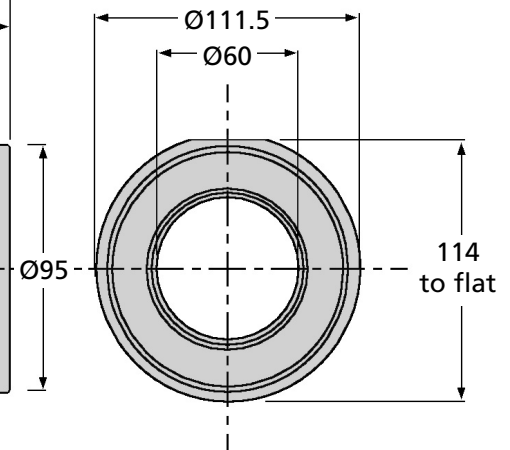
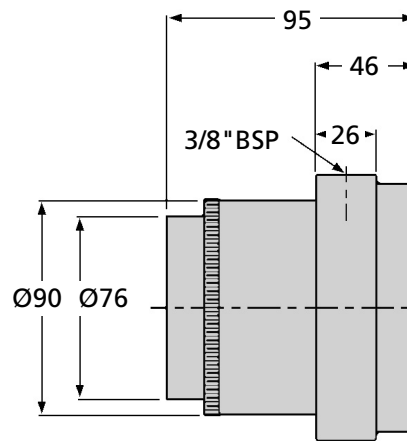
SS40A
SS60A



SS40A



SS60A



Performance at Outlet

Bar	Vol in m ³ /min	Vol out m ³ /min
SS40A		
1.38	0.207	3.256
2.75	0.323	5.182
4.14	0.439	6.513
5.52	0.555	8.297
SS60A		
1.38	0.280	4.191
2.76	0.476	7.561
4.14	0.654	9.231
5.52	0.841	11.327

Part Number	Weight	Standard Gap	Dba at:	Shims (mm)	Standard Inlet Thread	Standard Inlet Thread Options	Price Each
SS40A	0.84Kg	Adjustable	5.5 bar is 80	Not Applicable	3/8" BSP	3/8" NPT	£273.57
SS60A	2.50Kg	Adjustable	5.5 bar is 80	Not Applicable	3/8" BSP	3/8" NPT	£552.48

Material

Stainless Steel 303/304.

* 3/8" NPTF - Please specify on order
* 3/8" NPTF - Please specify on order

SS75A
SS125A

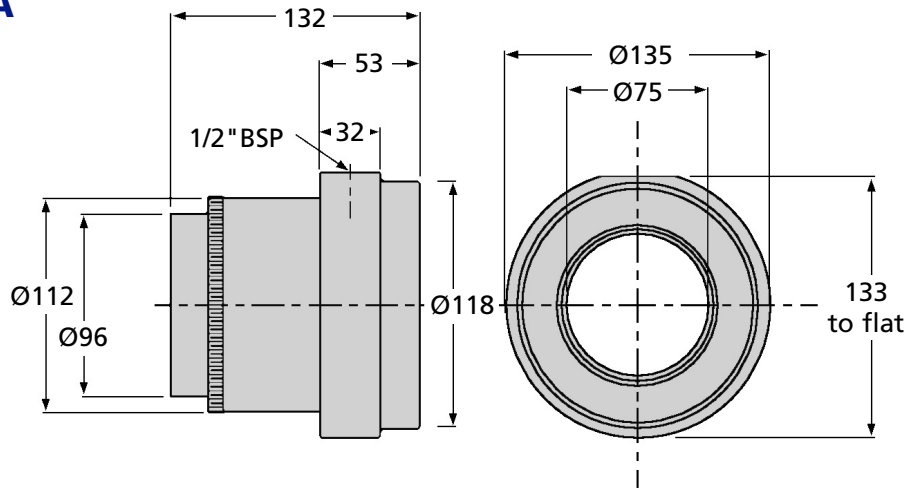
MECHANICAL

Adjustable Airmovers - Large

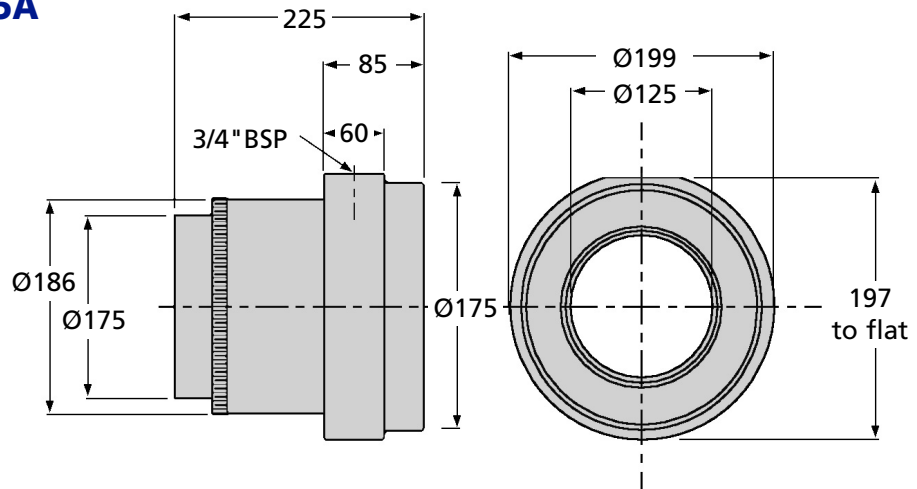
Stainless Steel 303/304



SS75A



SS125A



Performance at Outlet

Bar	Vol in m ³ /min	Vol out m ³ /min
SS75A		
1.38	0.425	6.230
2.76	0.651	9.203
4.14	0.906	12.035
5.52	1.133	14.866
SS125A		
1.38	1.982	38.936
2.76	3.115	53.660
4.14	4.276	68.668
5.52	5.324	80.137

Part Number	Weight	Standard Gap	Dba at:	Shims (mm)	Standard Inlet Thread	Standard Inlet Thread Options	Price Each
SS75A	4.5Kg	Adjustable	5.5 bar is 81	Not Applicable	1/2" BSP	1/2" NPT	£703.23
SS125A	16.3Kg	Adjustable	5.5 bar is 85	Not Applicable	3/4" BSP	3/4" NPT	£1950.96

Material

Stainless Steel 303/304.

* 1/2" NPTF - Please specify on order
* 3/4" NPTF - Please specify on order

+44 (0)1246 455500
+44 (0)1246 455522

ondrives

sales@ondrives.com
www.ondrives.com

Product information updated 1st April 2011 and subject to change. Please contact Sales for the latest prices and availability.

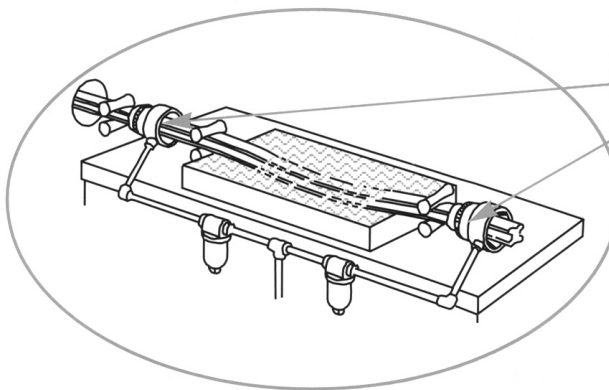
MECHANICAL

Adjustable Airmovers

Stainless Steel

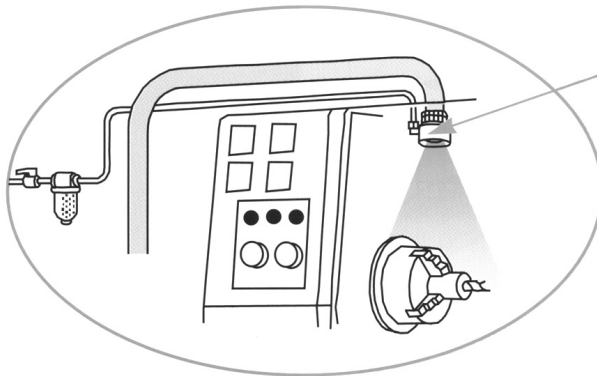
Airmover applications can exist even in the most hazardous of environments. Alternatively, the hygiene requirements of the food, pharmaceutical and other industries require product friendly tooling. In all of these extremes, stainless steel airmovers can offer a very variable solution. Our range is supplied to demanding customers worldwide and comes with an adjustable airgap. So should your air amplifier be required to resist corrosive environments or be food product friendly, then we have a stainless steel adjustable airmover to meet your needs. Note: Adjustable airmovers are available in acetal as an alternative to stainless steel.

Some Typical Applications - Stainless Steel Adjustable Airmovers



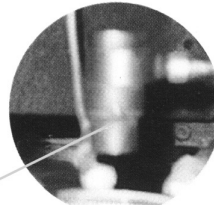
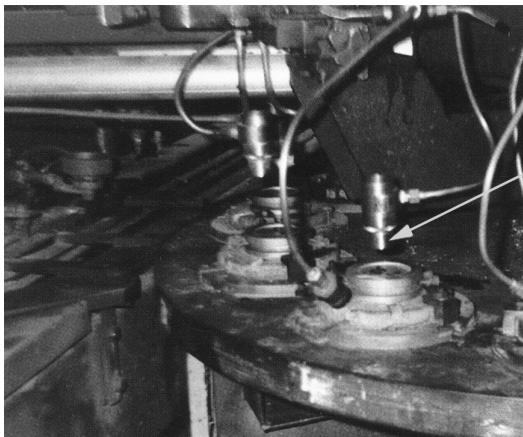
EXTRUSION - RUBBER MOULDING COOLING AND DRYING

Model SS75A stainless airmovers help set-up and cool this moulding after extrusion. Then blow off and dry the moulding prior to forming.



METALWORKING - COOLANT MIST REMOVAL

Oily mist in CNC machines with the doors closed often escapes to surrounding areas. The SS40A airmover solves the problem without failure of electric motor or vacuum.



LENS MANUFACTURE

SS20A's used to cool optical lenses during manufacture.

J
A
C
I
N
H
C
E
T