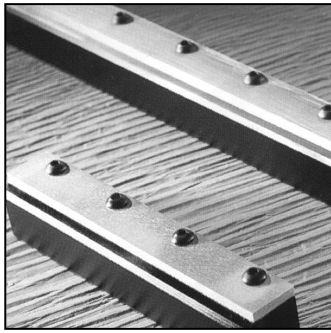


**SE150**  
**SE300**

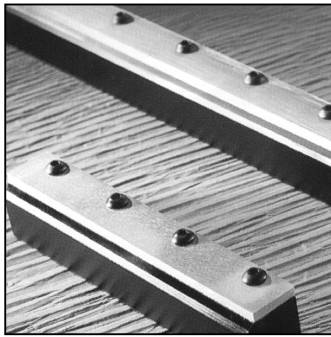
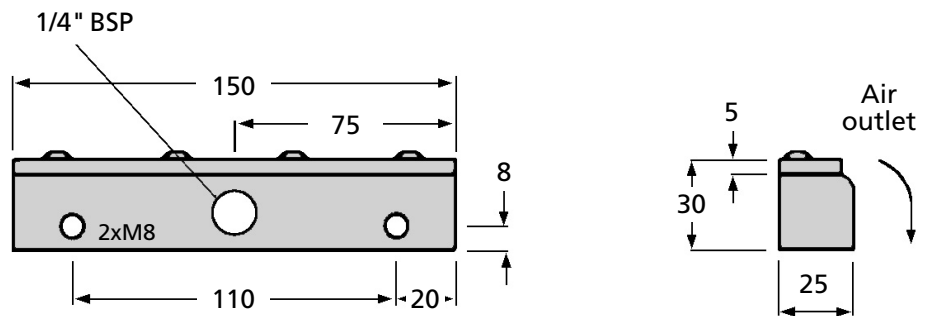
# MECHANICAL

## Strip Airmovers - Small

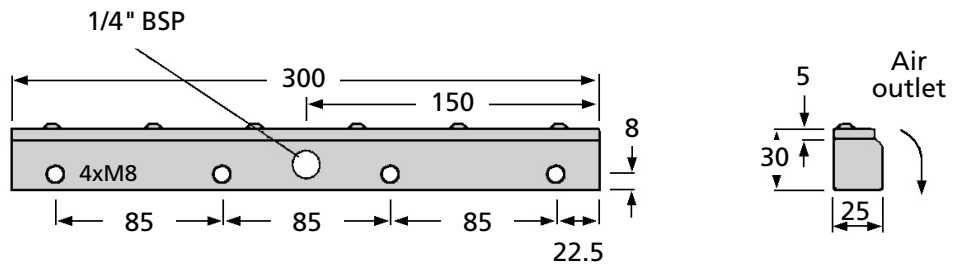
Aluminium/Zinc Plated Steel



**SE150**



**SE300**



### Performance per 25mm Length

Bar	Vol in m <sup>3</sup> /min	Vol out m <sup>3</sup> /min
<b>SE150</b>		
1.38	0.034	0.651
2.76	0.054	0.963
4.14	0.074	1.218
5.52	0.093	1.642
<b>SE300</b>		
1.38	0.034	0.651
2.76	0.054	0.963
4.14	0.074	1.218
5.52	0.093	1.642

ALSO AVAILABLE IN STAINLESS STEEL  
and SPECIAL LENGTHS TO SPECIAL  
ORDER (P.O.A.).

Part Number	Weight	Standard Gap	Dba at:	Standard Inlet Thread	Standard Inlet Thread Options	Price Each
SE150	0.3Kg	0.05-0.10	5.5 bar is 80	1/4" BSP	1/4" NPT	£154.70
SE300	0.7Kg	0.05-0.10	5.5 bar is 80	1/4" BSP	1/4" NPT	£201.12

### Material

Aluminium/Zinc Plated Steel

\* 1/4" NPTF - Please specify on order  
\* 1/4" NPTF - Please specify on order

+44 (0)1246 455500  
+44 (0)1246 455522

**ondrives**

sales@ondrives.com  
www.ondrives.com

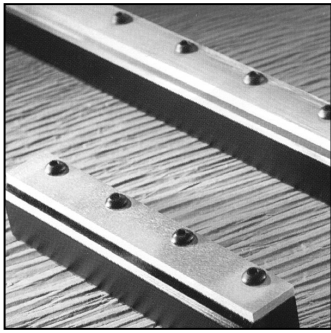
Product information updated 1st April 2011 and subject to change. Please contact Sales for the latest prices and availability.

# MECHANICAL

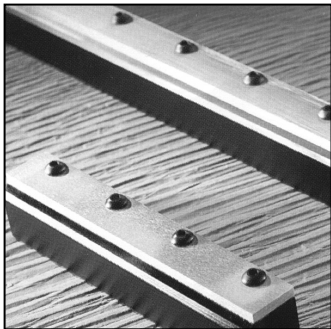
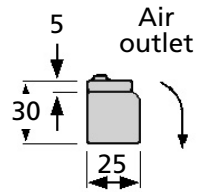
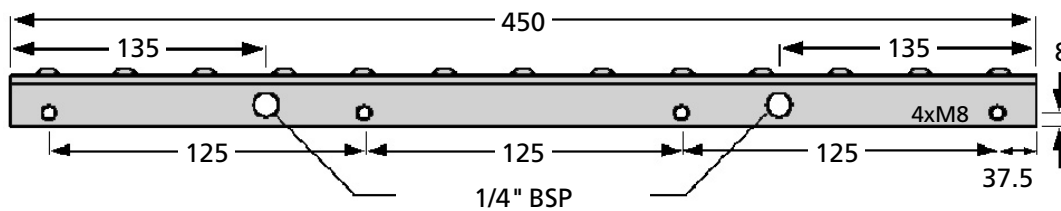
**SE450**  
**SE600**

## Strip Airmovers - Medium

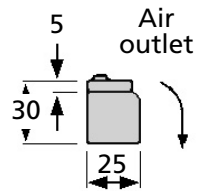
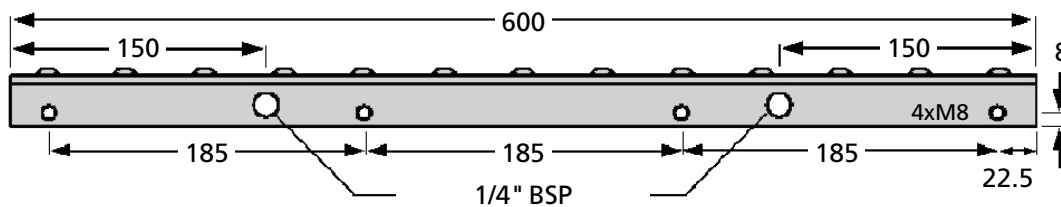
Aluminium/Zinc Plated Steel



**SE450**



**SE600**



### Performance per 25mm Length

Bar	Vol in m <sup>3</sup> /min	Vol out m <sup>3</sup> /min	Bar	Vol in m <sup>3</sup> /min	Vol out m <sup>3</sup> /min
SE450			SE600		
1.38	0.034	0.651	1.38	0.034	0.651
2.76	0.054	0.963	2.76	0.054	0.963
4.14	0.074	1.218	4.14	0.074	1.218
5.52	0.093	1.642	5.52	0.093	1.642

ALSO AVAILABLE IN STAINLESS STEEL  
and SPECIAL LENGTHS TO SPECIAL  
ORDER (P.O.A.).

Part Number	Weight	Standard Gap	Dba at:	Standard Inlet Thread	Standard Inlet Thread Options	Price Each
SE450	1.00Kg	0.05-0.10	5.5 bar is 80	1/4" BSP	1/4" NPT	£252.10
SE600	1.35Kg	0.05-0.10	5.5 bar is 80	1/4" BSP	1/4" NPT	£296.55

### Material

Aluminium/Zinc Plated Steel

\* 1/4" NPTF - Please specify on order  
\* 1/4" NPTF - Please specify on order

+44 (0)1246 455500  
+44 (0)1246 455522

**ondrives**

sales@ondrives.com  
www.ondrives.com

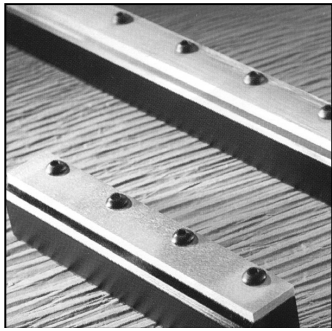
Product information updated 1st April 2011 and subject to change. Please contact Sales for the latest prices and availability.

**SE750**  
**SE900**

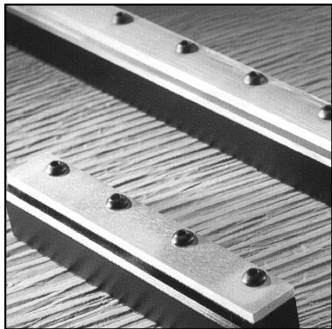
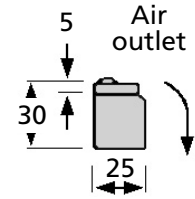
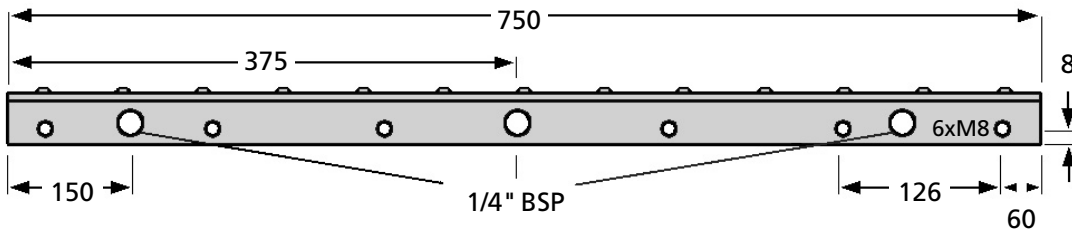
# MECHANICAL

## Strip Airmovers - Large

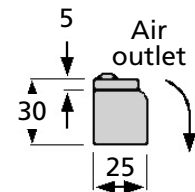
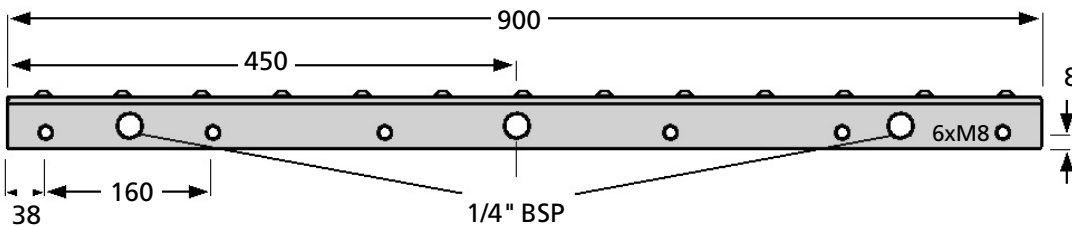
Aluminium/Zinc Plated Steel



**SE750**



**SE900**



### Performance per 25mm Length

Bar	Vol in m <sup>3</sup> /min	Vol out m <sup>3</sup> /min	Bar	Vol in m <sup>3</sup> /min	Vol out m <sup>3</sup> /min
SE750			SE900		
1.38	0.034	0.651	1.38	0.034	0.651
2.76	0.054	0.963	2.76	0.054	0.963
4.14	0.074	1.218	4.14	0.074	1.218
5.52	0.093	1.642	5.52	0.093	1.642

ALSO AVAILABLE IN STAINLESS STEEL  
and SPECIAL LENGTHS TO SPECIAL  
ORDER (P.O.A.).

Part Number	Weight	Standard Gap	DbA at:	Standard Inlet Thread	Standard Inlet Thread Options	Price Each
SE750	1.7Kg	0.05-0.10	5.5 bar is 80	1/4" BSP	1/4" NPT	£P.O.A
SE900	2.0Kg	0.05-0.10	5.5 bar is 80	1/4" BSP	1/4" NPT	£P.O.A

### Material

Aluminium/Zinc Plated Steel

\* 1/4" NPTF - Please specify on order

\* 1/4" NPTF - Please specify on order

+44 (0)1246 455500  
+44 (0)1246 455522

**ondrives**

sales@ondrives.com  
www.ondrives.com

Product information updated 1st April 2011 and subject to change. Please contact Sales for the latest prices and availability.

# MECHANICAL

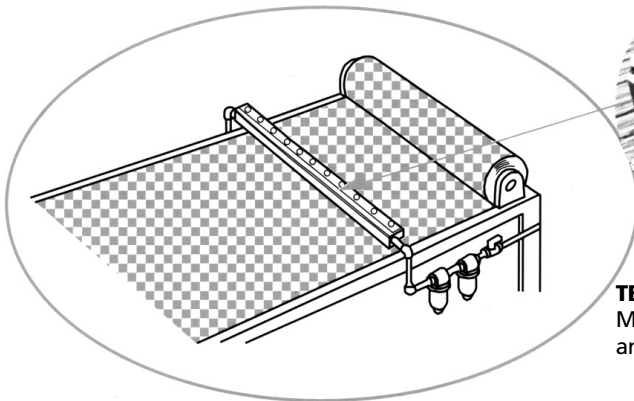
## Strip (Air Curtain) Airmovers

Aluminium/Zinc Plated Steel

The strip airmover produces a curtain of air along the length of the application. The strip airmover uses the same Coanda effect utilised in our other air amplifiers. Again there are no moving parts, with compressed air from a local production line source being used to amplify and entrain surrounding air. Output volumes almost twenty times higher than those at the input can be achieved.

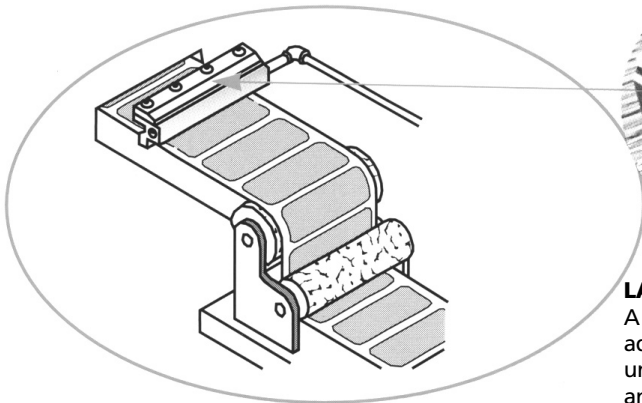
Many tooling engineers use drilled or slotted lengths of piping in an attempt to flute air over the required area. But these techniques are highly inefficient in the use of expensive compressed air. Using the built in effectiveness of the strip airmover, significant compressed air savings can be achieved with short investment paybacks. Noise levels will also be reduced. Also manufactured in stainless steel and in any length from a combination of our standard sizes.

### Some Typical Applications - Strip Airmovers



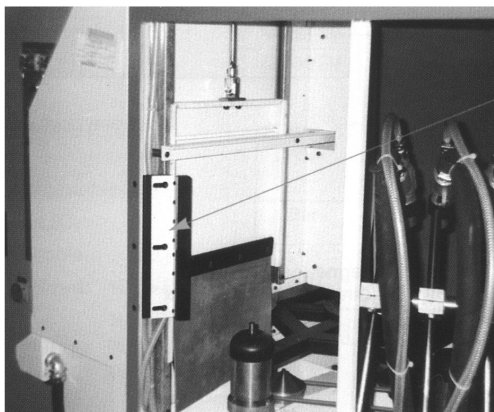
#### TEXTILES

Model SE600 strip airmovers are ideal for cleaning and drying large rolls of cloth.



#### LABEL PRINTING

A model SE150 Strip Airmover cools the label adhesive and holds down the end of the labels until they reach the rollers, thus improving quality and reducing damage.



#### PROTECTION OF ELECTRICS

SE300 strip airmover used on shot blast equipment to prevent dust getting near electrics.

MECHANICAL