

AM10A
AM20A

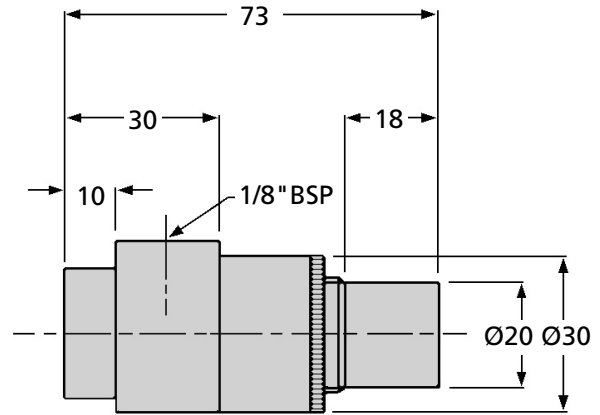
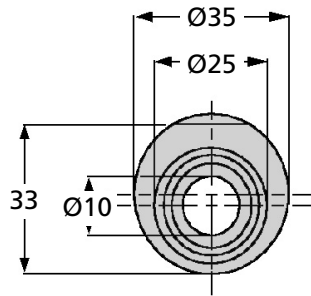
MECHANICAL

Adjustable Airmovers - Small

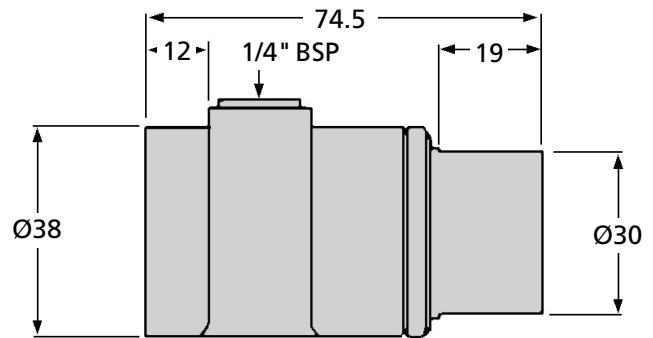
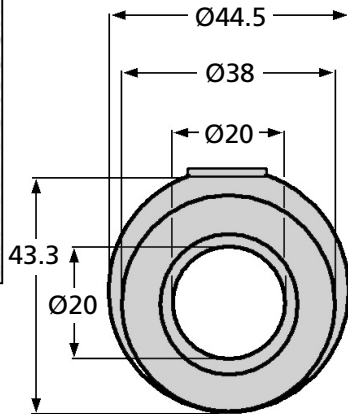
Aluminium Alloy



AM10A



AM20A



Performance at Outlet

Bar	Vol in m ³ /min	Vol out m ³ /min
AM10A		
1.38	0.048	0.490
2.76	0.065	0.660
4.14	0.125	0.733
5.52	0.164	0.886
AM20A		
1.38	0.105	1.614
2.76	0.164	2.492
4.14	0.224	3.030
5.52	0.286	3.681

Part Number	Weight	Standard Gap	Db a at:	Shims (mm)	Standard Inlet Thread	Standard Inlet Thread Options	Price Each
AM10A	0.09Kg	Adjustable	5.5 bar is 73	Not Applicable	1/8" BSP	*1/8" NPT	£67.83
AM20A	0.13Kg	Adjustable	5.5 bar is 79	Not Applicable	1/4" BSP	*1/4" NPT	£111.57

Material

Aluminium Alloy.

*1/8" NPTF - Please specify on order

*1/4" NPTF - Please specify on order

+44 (0)1246 455500
+44 (0)1246 455522

ondrives

sales@ondrives.com
www.ondrives.com

Product information updated 1st April 2011 and subject to change. Please contact Sales for the latest prices and availability.

MECHANICAL

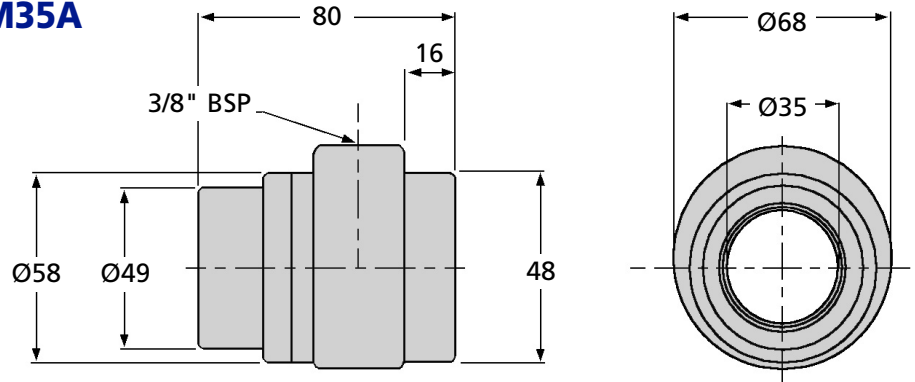
Adjustable Airmovers - Medium

Aluminium Alloy

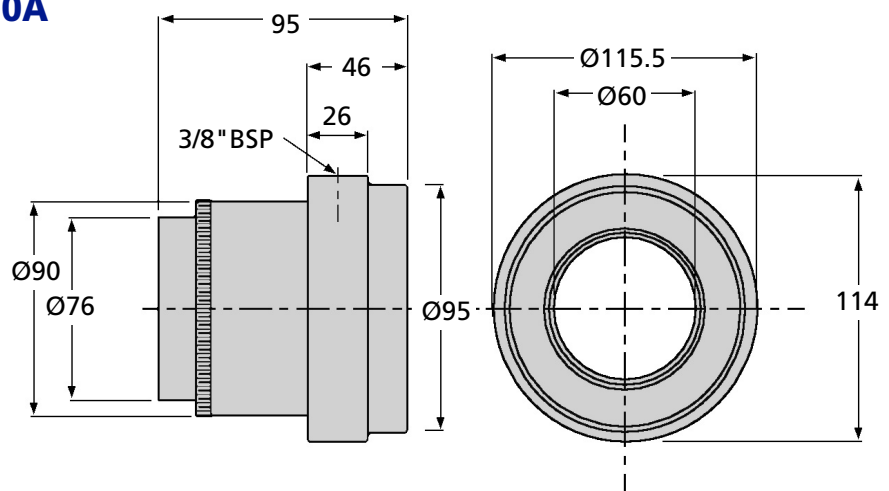
AM35A
AM60A



AM35A



AM60A



Performance at Outlet

Bar	Vol in m ³ /min	Vol out m ³ /min
AM35A		
1.38	0.193	2.350
2.75	0.326	3.361
4.14	0.484	4.621
5.52	0.631	5.207
AM40A		
1.38	0.280	4.191
2.76	0.476	7.561
4.14	0.654	9.231
5.52	0.841	11.327

Part Number	Weight	Standard Gap	Db a at:	Shims (mm)	Standard Inlet Thread	Standard Inlet Thread Options	Price Each
AM35A	0.28Kg	Adjustable	5.5 bar is 80	Not Applicable	3/8" BSP	3/8" NPT	£133.77
AM60A	0.83Kg	Adjustable	5.5 bar is 80	Not Applicable	3/8" BSP	3/8" NPT	£368.30

Material

Aluminium Alloy.

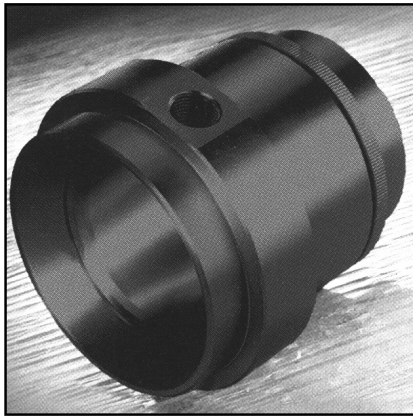
*3/8" NPTF - Please specify on order
*3/8" NPTF - Please specify on order

AM75A
AM125A

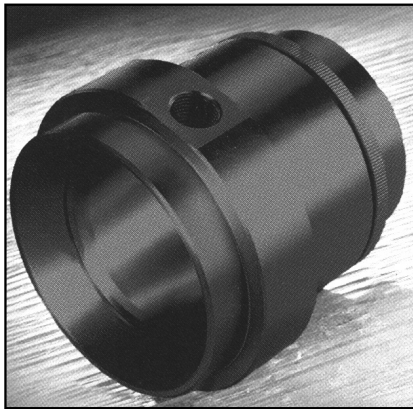
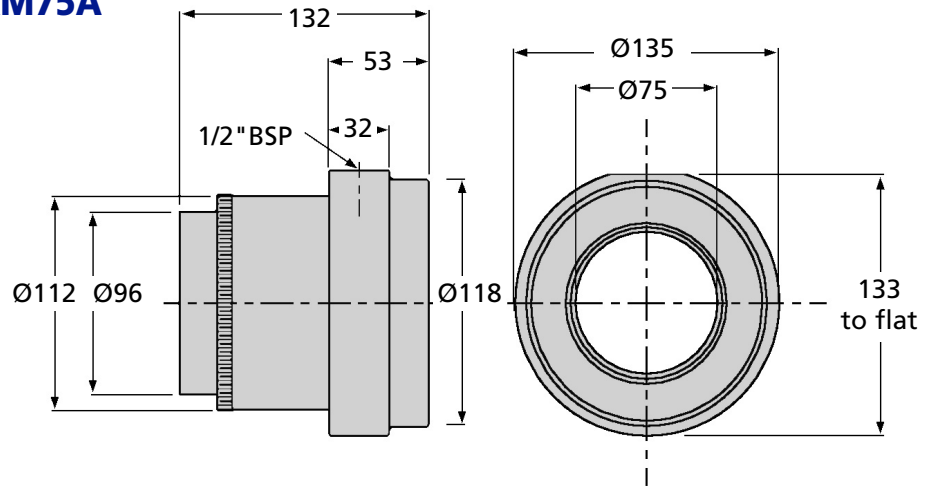
MECHANICAL

Adjustable Airmovers - Large

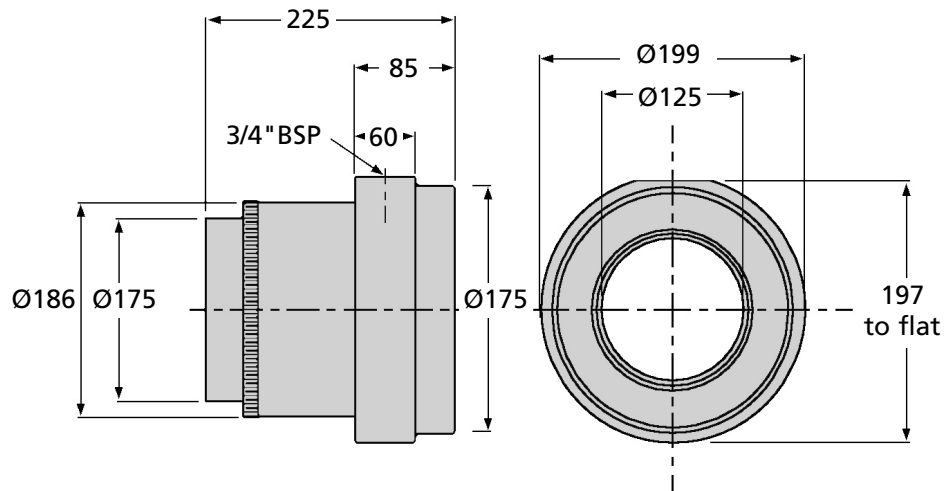
Aluminium Alloy



AM75A



AM125A



Performance at Outlet

Bar	Vol in m ³ /min	Vol out m ³ /min
AM75A		
1.38	0.425	6.230
2.75	0.651	9.203
4.14	0.906	12.035
5.52	1.133	14.866
AM125A		
1.38	1.982	38.936
2.76	3.115	53.660
4.14	4.276	68.668
5.52	5.324	80.137

Part Number	Weight	Standard Gap	Dba at:	Shims (mm)	Standard Inlet Thread	Standard Inlet Thread Options	Price Each
AM75A	1.5Kg	Adjustable	5.5 bar is 80	Not Applicable	1/2" BSP	1/2" NPT	£374.47
AM125A	5.4Kg	Adjustable	5.5 bar is 85	Not Applicable	3/4" BSP	3/4" NPT	£1178.59

Material

Aluminium Alloy.

*1/2" NPTF - Please specify on order

*3/4" NPTF - Please specify on order

+44 (0)1246 455500
+44 (0)1246 455522

ondrives

sales@ondrives.com
www.ondrives.com

Product information updated 1st April 2011 and subject to change. Please contact Sales for the latest prices and availability.

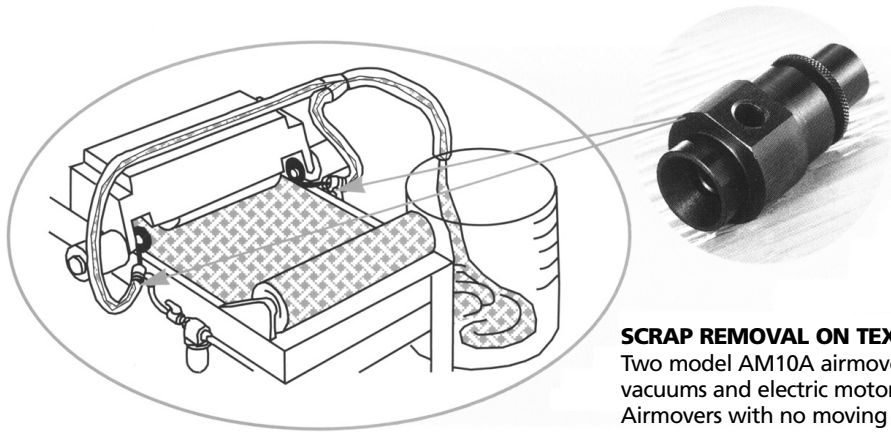
MECHANICAL

Adjustable Airmovers

In some applications, the engineer must be able to vary the volume of outlet air. These adjustable airmovers incorporate air gaps which are not fixed, instead the gap can be varied by loosening the knurled ring and adjusting the sleeve accordingly. The result is that air consumption can be minimised and output volumes varied from a light blow to a blast of high volume air. When the desired air flows are obtained, the knurled ring can be locked into position. In most instances, the ideal air gap will be between 0.05mm and 0.10mm (0.002" to 0.004").

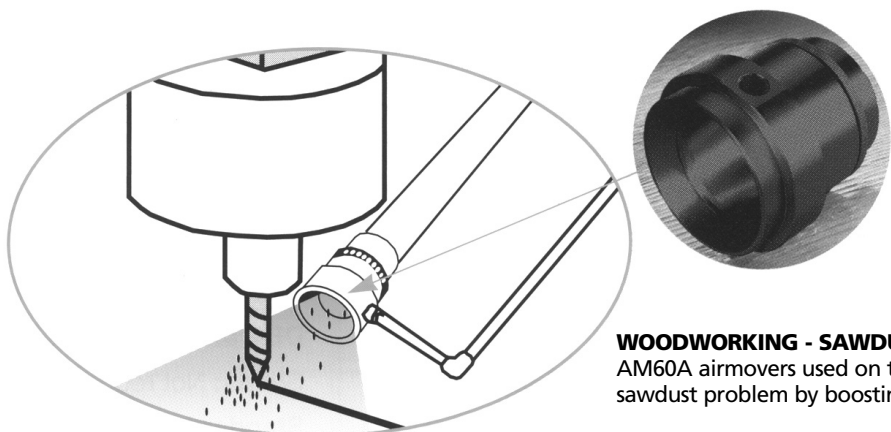
The standard range of adjustable airmovers are manufactured from aluminium. Stainless steel versions are also available when application requires.

Some Typical Applications - Adjustable Airmovers



SCRAP REMOVAL ON TEXTILES

Two model AM10A airmovers eliminate expensive vacuums and electric motors for trimming removal. Airmovers with no moving parts, remove the overheating problems inherent in electric motors.



WOODWORKING - SAWDUST REMOVAL

AM60A airmovers used on this router eliminate the sawdust problem by boosting the vacuum system.

MECHANICAL