

**AG32
AG32LC**

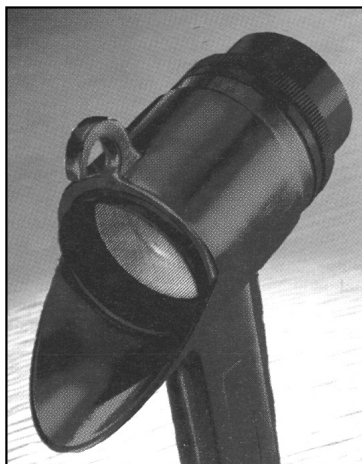
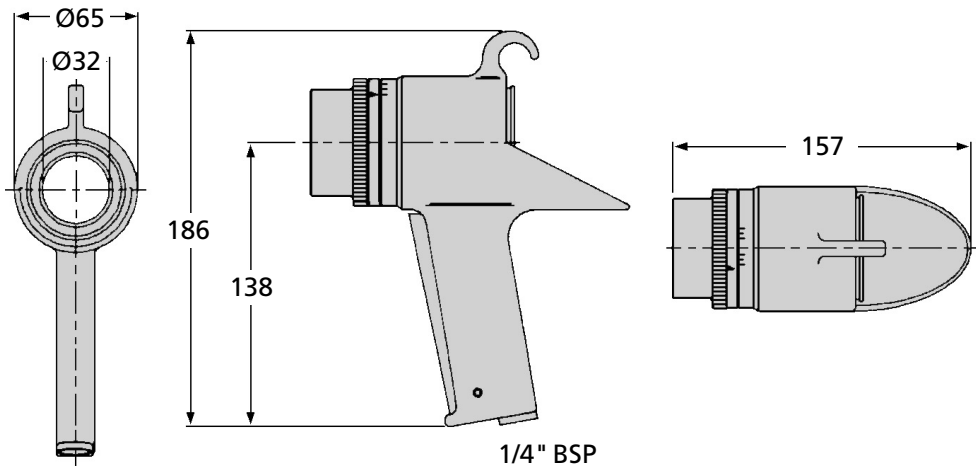
MECHANICAL

Trigger Action Blow Guns

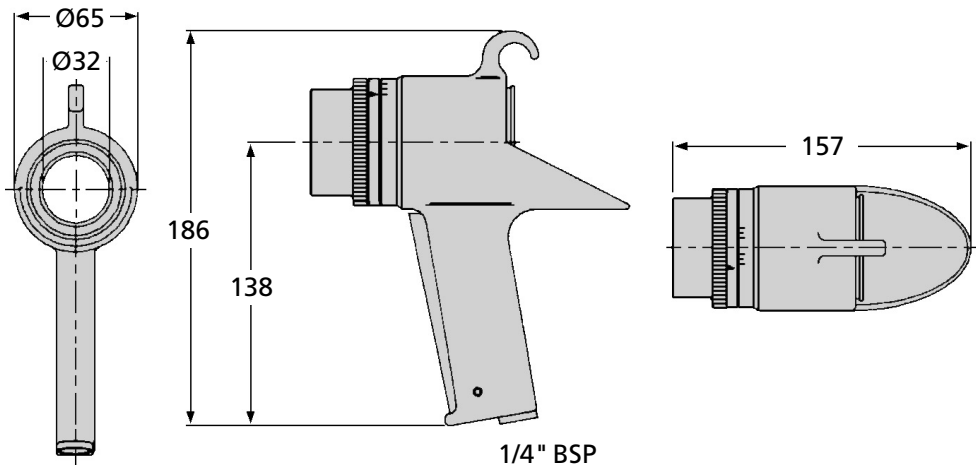
Aluminium Alloy



AG32



AG32LC - BLACK



Performance at Outlet

Bar	Vol in m ³ /min	Vol out m ³ /min
AG32		
1.38	0.122	1.931
2.76	0.218	2.939
4.14	0.311	3.695
5.52	0.405	4.199
AG32LC		
1.38	0.122	1.931
2.76	0.218	2.939
4.14	0.311	3.695
5.52	0.405	4.199

LC

- Painted not polished (black)
- Ball valve operated not trigger
- No gauze

Part Number	Weight	Standard Gap	DbA at:	Standard Inlet Thread	Standard Inlet Thread Options	Price Each
AG32	0.54Kg	Adjustable	5.5 bar is 78	1/4" BSP	1/4" NPT	£169.98
AG32LC	0.54Kg	Adjustable	5.5 bar is 78	1/4" BSP	1/4" NPT	£99.03

Material

Aluminium Alloy.

* 1/4" NPTF - Please specify on order

* 1/4" NPTF - Please specify on order

+44 (0)1246 455500
+44 (0)1246 455522

ondrives

sales@ondrives.com
www.ondrives.com

Product information updated 1st April 2011 and subject to change. Please contact Sales for the latest prices and availability.

MECHANICAL

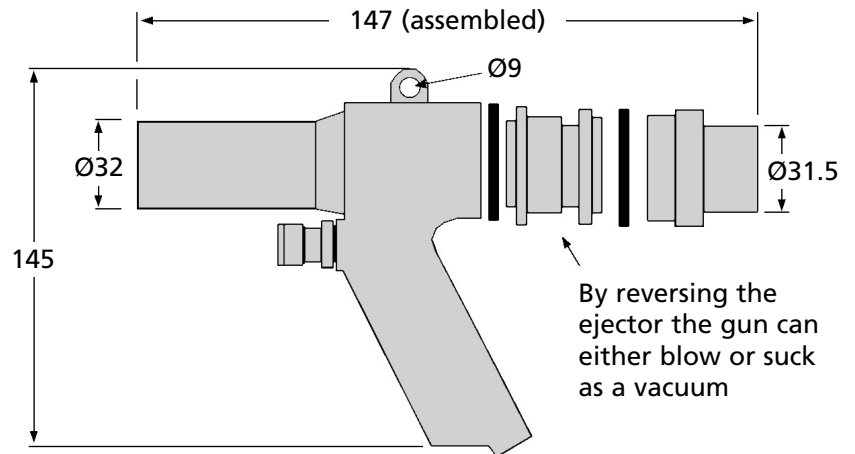
Trigger Action Blow Guns

Nylon

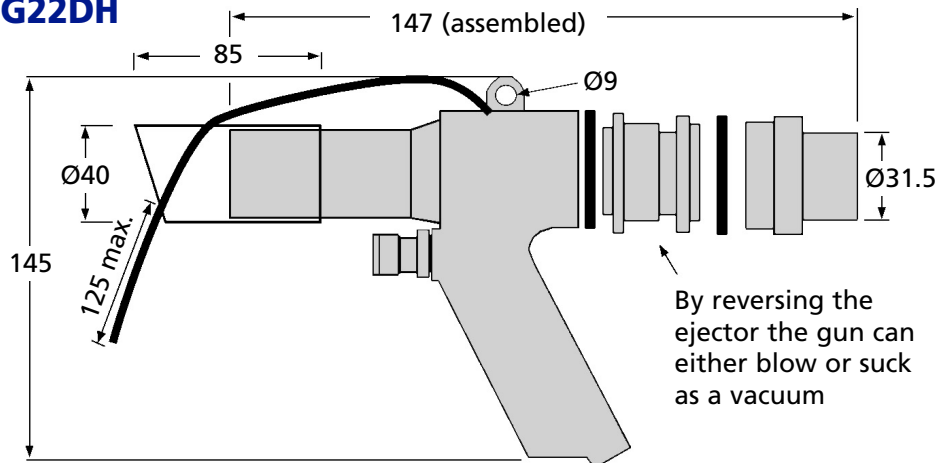
CG22
CG22DH



CG22



CG22DH



Performance at Outlet

Bar	Vol in m ³ /min	Vol out m ³ /min
CG22		
1.38	0.181	1.512
2.76	0.295	2.352
4.14	0.396	2.856
5.52	0.513	3.360
CG22DH		
1.38	0.185	1.344
2.76	0.304	2.016
4.14	0.421	2.520
5.52	0.531	2.940

Part Number	Weight	Standard Gap	Dba at:	Standard Inlet Thread	Standard Inlet Thread Options	Price Each
CG22	0.15Kg	Adjustable	5.5 bar is 79	1/4" BSP	1/4" NPT	£49.52
CG22DH	0.20Kg	Adjustable	5.5 bar is 79	1/4" BSP	1/4" NPT	£79.30

Material

Nylon.

* 1/4" NPTF - Please specify on order
* 1/4" NPTF - Please specify on order

MECHANICAL

Trigger Action Blow Guns

T
E
C
H
N
I
C
A
L

Two types of blow gun are available, both hand held and operated by trigger. The gun is light in weight and easy to use. Our light weight reversible blow guns are manufactured from nylon, and acts as a blow, vacuum and transfer gun in one compact unit. It's ideal for sucking up spills, waste, metal or plastic chips and is chemical and corrosion resistant. A wide range of accessories is available for this gun including dust collection bags, extension tubes, brushes, conveying hose and a crevice tool.

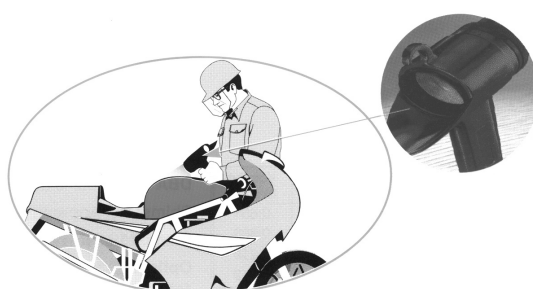
Our lightweight range is further enhanced with a deep hole air gun, ideal for cleaning holes up to 450mm deep. It acts both as an air gun and a vacuum gun. A small black tube running from the main body of the unit blasts air to agitate particles while the main gun nozzle sucks them safely away. The benefit of this exceptional system is that it keeps swarf from blowing over into other holes and allows all swarf and debris to be cleared completely from deep drilled or tapped holes. A clear plastic tube enables the user to see when the hole is clear of debris and it also provides protection against any flying particles (see application shot).

Some Typical Applications - Trigger Action Blow Guns



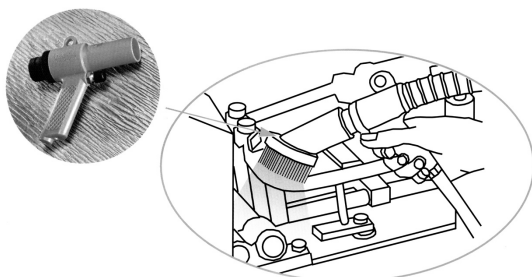
CAR BODY WORK PAINT REPAIRS

AG32 trigger action blow gun is ideal for drying small areas of paint on car body work.



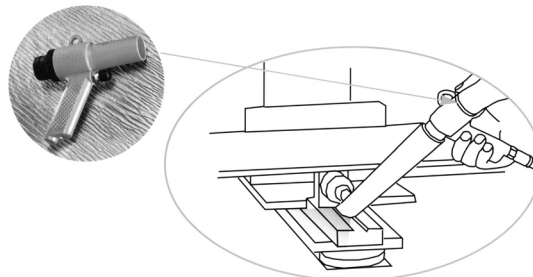
DRYING PAINT

AG32LC trigger action blow gun drying the new fuel tank on a motorbike.



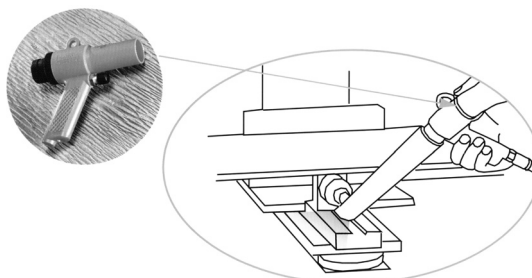
PRINTING

The Reversible Air Gun improved product quality and working environment in printing by efficient clean-up of offset powder on a printing press.



METAL WORKING

Reversible Air Gun with crevice tool accessory makes easy work of vacuuming swarf and coolant from hard to reach areas.



DEEP HOLD CLEANING GUN

Removing chips from deep holes after drilling is made simple using the specially designed deep hole cleaning gun to purge holes of debris instantaneously.

