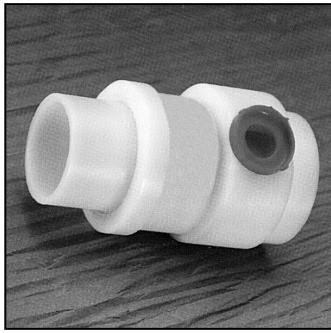


AA10A
AA20A
AA40A

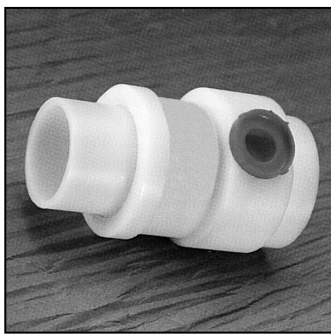
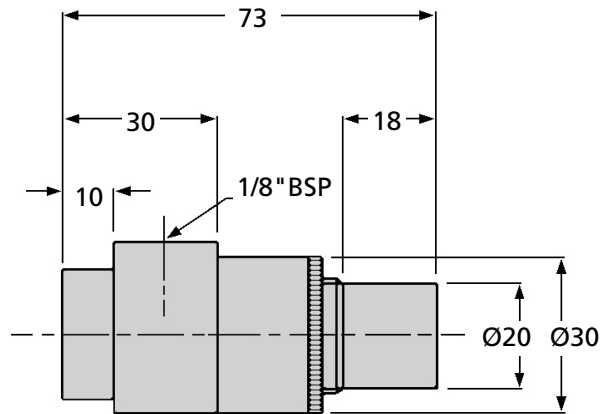
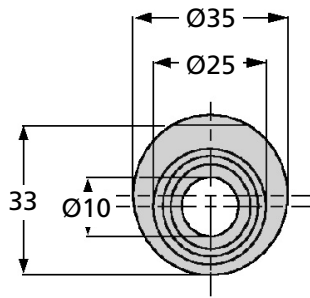
MECHANICAL

Adjustable Airmovers

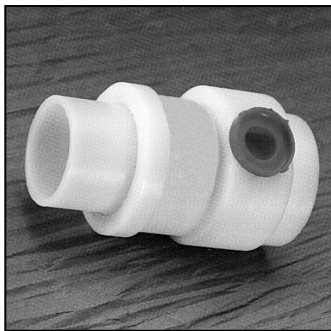
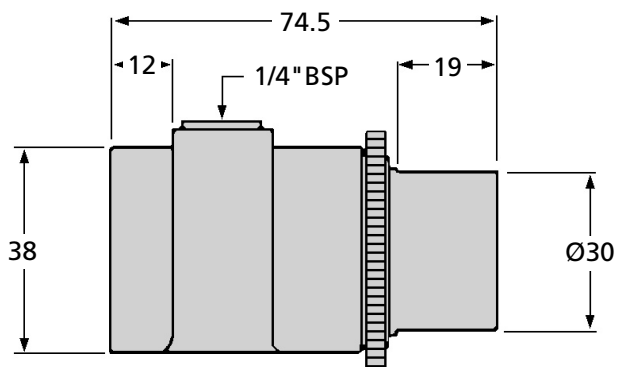
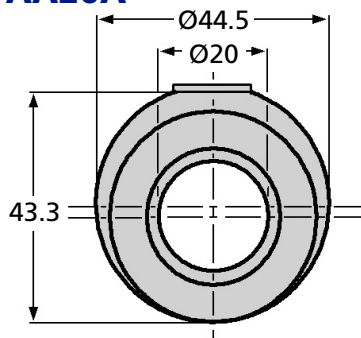
Acetal



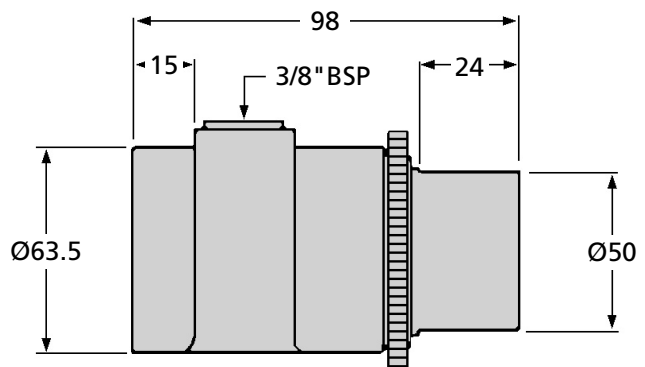
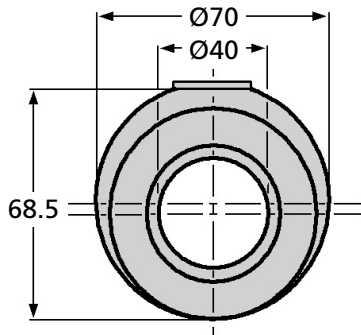
AA10A



AA20A



AA40A



Performance at Outlet

Bar	Vol in m ³ /min	Vol out m ³ /min	Bar	Vol in m ³ /min	Vol out m ³ /min	Bar	Vol in m ³ /min	Vol out m ³ /min
AA10A			AA20A			AA40A		
1.38	0.048	0.490	1.38	0.105	1.614	1.38	0.207	3.256
2.76	0.065	0.660	2.76	0.164	2.492	2.76	0.323	5.182
4.14	0.125	0.733	4.14	0.224	3.030	4.14	0.439	6.513
5.52	0.164	0.886	5.52	0.286	3.681	5.52	0.555	8.297

Part Number	Weight	Standard Gap	Db a at:	Shims (mm)	Standard Inlet Thread	Standard Inlet Thread Options	Price Each
AA10A	0.05Kg	Adjustable	5.5 bar is 72	Not Applicable	1/8" BSP	1/8" NPT	£88.23
AA20A	0.08Kg	Adjustable	5.5 bar is 78	Not Applicable	1/4" BSP	1/4" NPT	£142.81
AA40A	0.20Kg	Adjustable	5.5 bar is 80	Not Applicable	3/8" BSP	3/8" NPT	£186.00

Material

Acetal.

- * 1/2" NPTF - Please specify on order
- * 1/4" NPTF - Please specify on order
- * 3/8" NPTF - Please specify on order

+44 (0)1246 455500
+44 (0)1246 455522

ondrives

sales@ondrives.com
www.ondrives.com

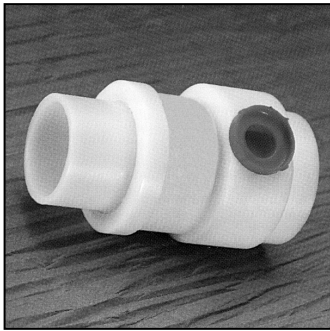
Product information updated 1st April 2011 and subject to change. Please contact Sales for the latest prices and availability.

MECHANICAL

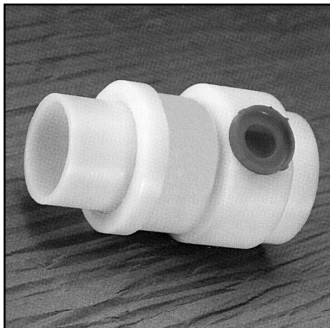
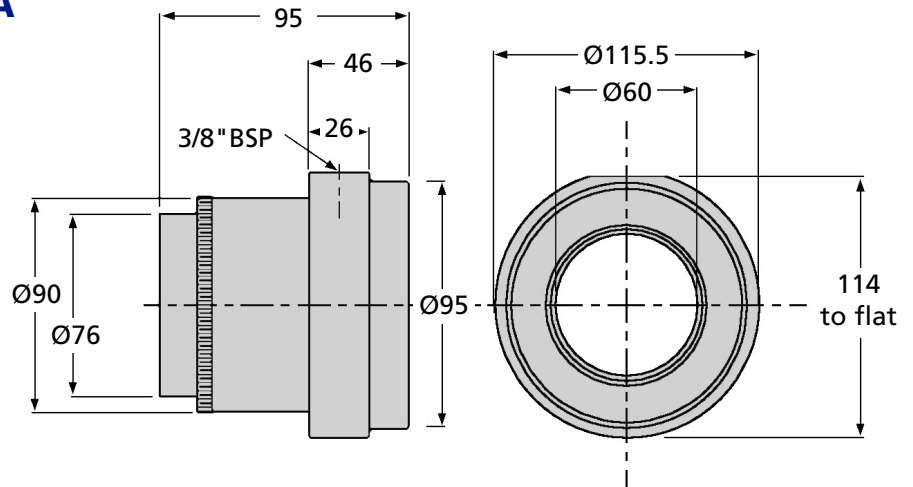
AA60A
AA75A

Adjustable Airmovers

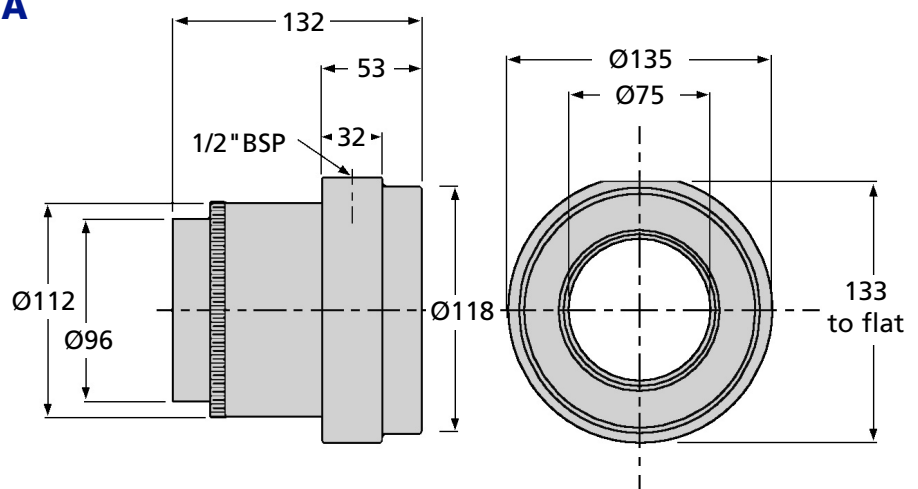
Acetal



AA60A



AA75A



Performance at Outlet

Bar	Vol in m ³ /min	Vol out m ³ /min
AA60A		
1.38	0.280	4.191
2.76	0.476	7.561
4.14	0.654	9.231
5.52	0.841	11.327
AA75A		
1.38	0.425	6.230
2.76	0.651	9.203
4.14	0.906	12.035
5.52	1.133	14.866

Part Number	Weight	Standard Gap	Dba at:	Shims (mm)	Standard Inlet Thread	Standard Inlet Thread Options	Price Each
AA60A	4.5Kg	Adjustable	5.5 bar is 81	Not Applicable	1/2" BSP	1/2" NPT	£384.78
AA75A	16.3Kg	Adjustable	5.5 bar is 85	Not Applicable	3/4" BSP	3/4" NPT	£470.14

Material

Acetal.

* 1/2" NPTF - Please specify on order
* 3/4" NPTF - Please specify on order

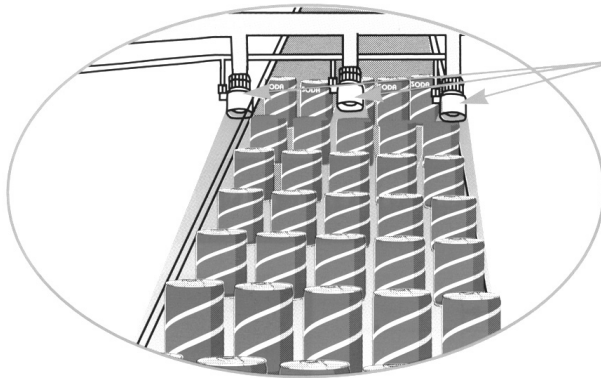
MECHANICAL

Adjustable Airmovers

Acetal

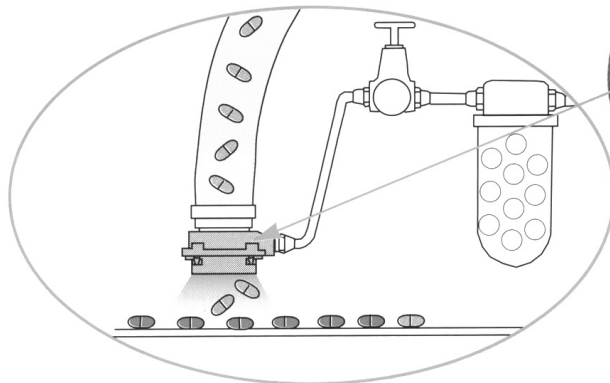
These products are corrosion resistant and impervious to a wide range of chemical attack. Being extremely lightweight, these airmovers may, in certain situations, be more suitable than much heavier stainless steel.

Some Typical Applications - Acetal Adjustable Airmovers



FOOD - CAN OR BOTTLE DRYING

Model AA75A acetal airmovers drying all types of products at various stages of products, i.e. after sterilising, prior to ink jet marking or labelling.



PHARMACEUTICALS

AA40A airmover used to extract unfilled capsules as they pass on a conveyor.

T
E
C
H
N
I
C
A
L