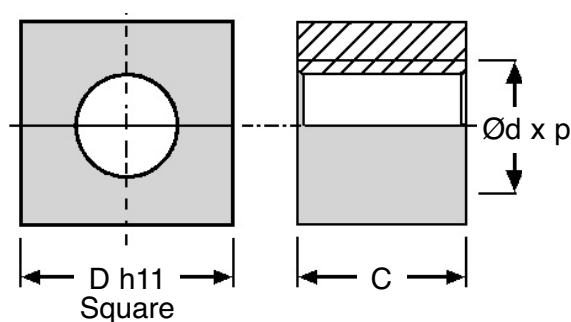
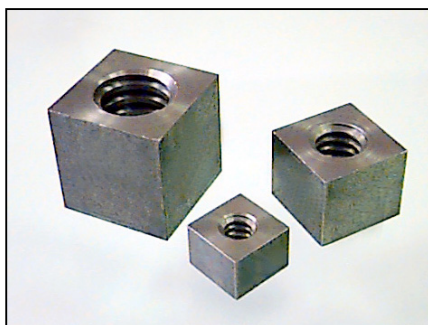


## Square Trapezoidal Nuts

1 Start : DIN 103-7H



**Discounts:** 6+ -15% | 20+ -20% | 40+ -25% | 60+ -30% | 100+ -40%

Part Number		Ød	p	D h11	C	Nut Weight Kg	Contact Surface mm <sup>2</sup>	Price Each 1 - 5	
RH	LH							RH	LH
VKM102	VKM102/LH	10	2	17	15 <sup>±0.15</sup>	0.0265	150	£4.54	£6.37
VKM123	VKM123/LH	12	3	25	18 <sup>±0.15</sup>	0.0760	210	£4.54	£6.36
VKM143	VKM143/LH	14	3	25	20 <sup>±0.15</sup>	0.0788	285	£5.01	£7.02
VKM164	VKM164/LH	16	4	28	24 <sup>±0.15</sup>	0.1187	365	£6.23	£8.74
VKM184	VKM184/LH	18	4	30	28 <sup>±0.15</sup>	0.1536	470	£8.09	£11.34
VKM204	VKM204/LH	20	4	35	30 <sup>±0.15</sup>	0.2585	590	£9.16	£12.83
VKM225	VKM225/LH	22	5	35	33 <sup>±0.15</sup>	0.2399	700	£10.08	£14.13
VKM245	VKM245/LH	24	5	40	36 <sup>±0.15</sup>	0.3542	845	£11.82	£16.55
VKM285	VKM285/LH	28	5	45	42 <sup>±0.25</sup>	0.5058	1175	£16.41	£23.00
VKM306	VKM306/LH	30	6	45	45 <sup>±0.25</sup>	0.5130	1335	£17.53	£24.58
VKM326	VKM326/LH	32	6	55	48 <sup>±0.25</sup>	0.8909	1430	£25.84	£36.20
VKM366	VKM366/LH	36	6	60	54 <sup>±0.25</sup>	1.1634	1950	£37.99	£53.20
VKM407	VKM407/LH	40	7	60	60 <sup>±0.25</sup>	1.2162	2400	£46.33	£64.87

### Material

Carbon Manganese Steel S300 Pb (11 SMn Pb37).

It is possible to weld this material but difficulties may arise with bubbling due to the sulphur content.

### Other Info.

To be used with our screws: **LFM, LSM**

- Manual control
- Low rotation speeds
- For Clamping or locking functions
- For receiving dead weights

For power transmission and continuous use, always use bronze nuts, never steel.

Nuts and screws should always be lubricated with grease or oil.

Steel nuts should be used with steel screws for hand motion only.