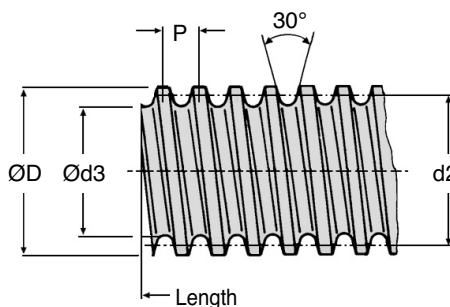
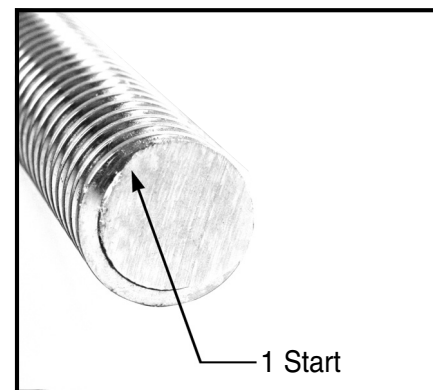
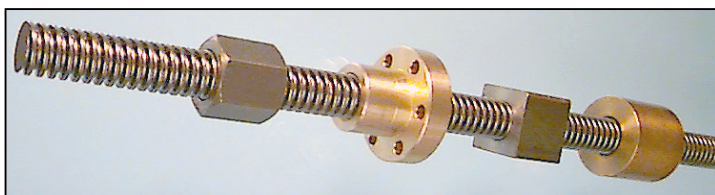


# LINEAR MOTION

LSM

## Trapezoidal Rolled Leadscrews

1 Start Stainless Steel : DIN 103-7e, ISO 2902 : Tr12x3 - Tr50x8



Discounts per metre: 6+ -15% | 20+ -20% | 40+ -25% | 60+ -30% | 100+ -40%

Part Number		ØD Nom.	ØD Min.	Pitch/Lead P	d2 Min.	d2 Max.	Helix Angle	Ød3 Screw Min.	Ød3 Screw Max.	Pitch Accuracy µm	Efficiency (µ at 0.15)	Weight Kg/m	Price Each per metre	
RH	LH												RH	LH
LSM123	LSM123/LH	12	11.76	3	10.19	10.42	5°17'	7.69	8.50	200	37%	0.65	£39.14	£137.68
LSM164	LSM164/LH	16	15.70	4	13.64	13.91	5°16'	10.47	11.50	50	37%	1.17	£62.39	£193.13
LSM184	LSM184/LH	18	17.70	4	15.64	15.91	4°36'	12.47	13.50	50	34%	1.53	£76.99	£204.20
LSM204	LSM204/LH	20	19.70	4	17.64	17.91	4° 5'	14.47	15.50	50	32%	1.94	£88.90	£204.20
LSM245	LSM245/LH	24	23.66	5	21.09	21.39	4°17'	17.27	18.50	50	33%	2.78	£130.01	£215.98
LSM285	LSM285/LH	28	27.66	5	25.09	25.39	3°36'	21.27	22.50	50	29%	3.91	£159.15	£231.51
LSM306	LSM306/LH	30	29.63	6	26.55	26.88	4° 5'	21.56	23.00	70	32%	4.36	£176.21	£245.73
LSM326	LSM326/LH	32	31.63	6	28.55	28.88	3°48'	23.56	25.00	70	30%	5.04	£196.10	£259.39
LSM366	LSM366/LH	36	35.63	6	32.55	32.88	3°20'	27.56	29.00	70	28%	6.55	£213.17	£301.63
LSM407	LSM407/LH	40	39.58	7	36.02	36.38	3°31'	30.38	32.00	80	29%	7.98	£234.48	£648.88
LSM508	-	50	49.55	8	45.47	45.87	3°11'	39.17	41.00	100	26%	12.70	£424.93	-

### Material

Stainless Steel 316L (1.4404) (X2 CrNiMo17.12.2).

### Performance

Guide - Torque to move nut:  $\text{Torque (Nm)} = \frac{\text{Load (N)} \times \text{Lead (mm)}}{2000\pi \times \text{efficiency}}$

(Frictional & acceleration torque as well as frictional resistance of bearings of sub assemblies need to be taken into account).

### Other Info.

Lengths: 1000mm = Price Each, 2000mm = Price Each x 2, 3000mm = Price Each x 3

For power transmission and continuous use, always use bronze nuts, never steel. Nuts and screws should always be lubricated with grease or oil. Steel nuts should be used with steel screws for hand motion only.

Thread rolled Trapezoidals in steel toughened (still machinable).

To be used with our nuts: **BFM, LRM, KSM, SKM, VKM** and new (self-lubricating plastic **WSRM164, 184 & 204**).

Special nuts can also be made - please fax a drawing for a quote.

Efficiency Guide 20% with lubrication (single start)

+44 (0)1246 455500  
+44 (0)1246 455522

**ondrives**

sales@ondrives.com  
www.ondrives.com

Product information updated 1st April 2011 and subject to change. Please contact Sales for the latest prices and availability.