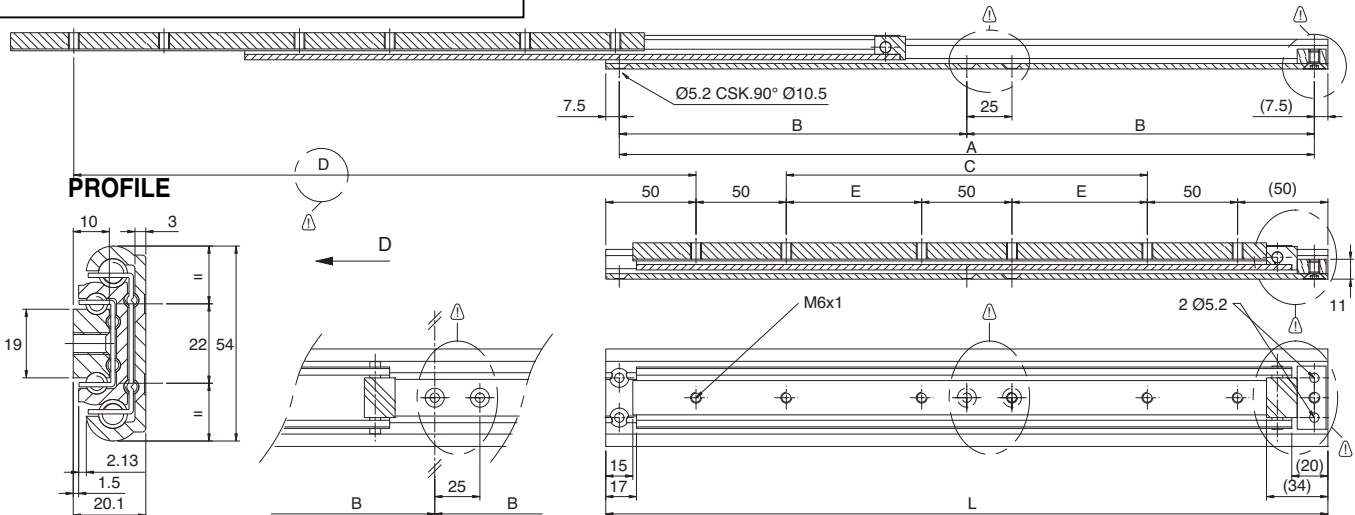
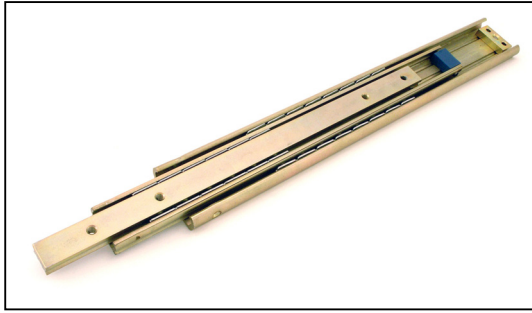


RA5R

LINEAR MOTION

Telescopic Slides

Heavy Duty Precision Ball Bearing Slides



The RA5R is a precision ball bearing slide. Its robust construction from cold drawn steel sections combined with additional reinforcing ball bearings, gives it excellent load carrying capabilities with minimum deflection. It is a high performance product that is particularly suited for use in rugged operating conditions and dynamic applications where a product capable of resisting the effects of shock and vibration is required.

Discounts: 11+ -5% 21+ -10%

Part Number	Length**	A	B	C	E	D	Load* Kg	Deflection	Price Per Pair 1 - 10
RA5R-300	300	285	-	100	-	315	150	5	£104.56
RA5R-350	350	335	-	150	-	375	145	6	£108.82
RA5R-400	400	385	-	200	-	415	140	7	£115.21
RA5R-450	450	435	-	250	-	475	135	8	£121.11
RA5R-500	500	485	-	300	-	515	130	8	£128.03
RA5R-550	550	-	267.5	-	150	575	125	9	£131.53
RA5R-600	600	-	292.5	-	175	615	120	9	£134.40
RA5R-650	650	-	317.5	-	200	675	115	10	£140.81
RA5R-700	700	-	342.5	-	225	715	110	10	£147.22
RA5R-750	750	-	367.5	-	250	775	105	11	£153.62
RA5R-800	800	-	392.5	-	275	815	100	12	£164.29
RA5R-850	850	-	417.5	-	300	875	95	13	£168.56
RA5R-900	900	-	442.5	-	325	915	90	14	£170.71
RA5R-950	950	-	467.5	-	350	975	85	15	£174.98
RA5R-1000	1000	-	492.5	-	375	1015	80	16	£179.13

*Loads indicated are for a pair of slides mounted on the major axis with an evenly distributed load.

**Longer lengths are available on request, please ask sales for further details.

Material

Beams: Cold drawn steel, yellow zinc plated

Bearings: Steel

Ball Cages: Steel

End Stops: Polyurethane

We recommend use on the major axis.

DO NOT DISMOUNT THE SLIDE!

Features

- Three beam precision ball bearing slide
- Heavy duty construction
- Cold drawn sections
- 100 % stroke
- Extra reinforcing ball bearings for added strength
- Standard closed lengths from 300mm to 1000mm
- Excellent load carrying capabilities to 150kg
- Weight 4.5Kg/m

+44 (0)1246 455500

+44 (0)1246 455522

ondrives

sales@ondrives.com

www.ondrives.com

Product information updated 1st April 2011 and subject to change. Please contact Sales for the latest prices and availability.