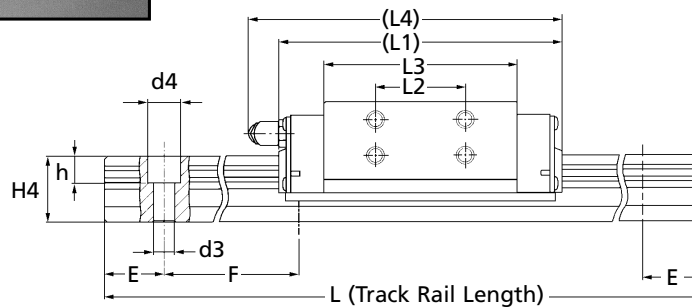
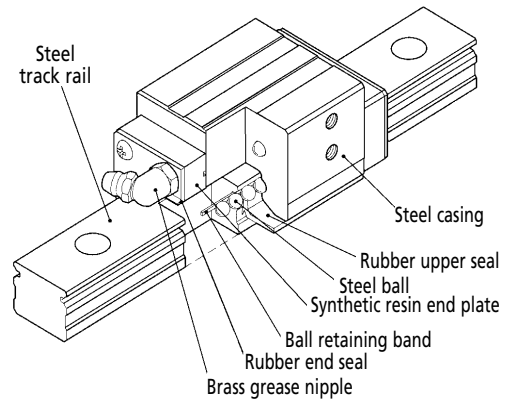
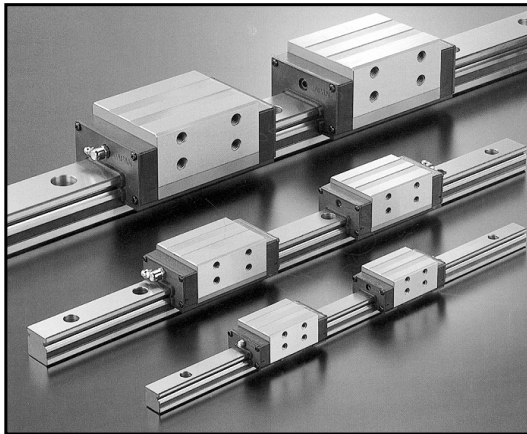


LWHY45

LINEAR MOTION

Precision Linear Slides - Steel

HY-Series (Ball Retained) *Side Mounting* - 2 Row 4 Point Ball

| Part Number | L Track Rail Length | No. of Holes | Max. Length | Carriage (Side Unit) | Price Each |
|-------------|---------------------|--------------|---|----------------------|------------|
| LWHY45-210 | 210 | 2 | | - | £157.18 |
| LWHY45-315 | 315 | 3 | | - | £203.91 |
| LWHY45-420 | 420 | 4 | | - | £250.63 |
| LWHY45-525 | 525 | 5 | | - | £297.33 |
| LWHY45-630 | 630 | 6 | | - | £344.12 |
| LWHY45-735 | 735 | 7 | | - | £390.85 |
| LWHY45-840 | 840 | 8 | | - | £437.55 |
| LWHY45-945 | 945 | 9 | | - | £484.27 |
| LWHY45-1050 | 1050 | 10 | | - | £531.05 |
| LWHY45-1155 | 1155 | 11 | | - | £577.77 |
| LWHY45-1260 | 1260 | 12 | | - | £624.49 |
| LWHY45-1365 | 1365 | 13 | | - | £671.21 |
| LWHY45-1470 | 1470 | 14 | | - | £717.99 |
| LWHY45-1575 | 1575 | 15 | | - | £764.71 |
| LWHY45-1680 | 1680 | 16 | | - | £811.42 |
| LWHY45-1785 | 1785 | 17 | 2940 Max length of butt joining rails 8295 | - | £858.20 |
| LWHY45-1890 | 1890 | 18 | | - | £904.93 |
| LWHY45-1995 | 1995 | 19 | | - | £951.64 |
| LWHY45-2100 | 2100 | 20 | | - | £998.36 |
| LWHY45-2205 | 2205 | 21 | | - | £1053.62 |
| LWHY45-2310 | 2310 | 22 | | - | £1108.85 |
| LWHY45-2415 | 2415 | 23 | | - | £1164.08 |
| LWHY45-2520 | 2520 | 24 | | - | £1219.31 |
| LWHY45-2625 | 2625 | 25 | | - | £1274.53 |
| LWHY45-2730 | 2730 | 26 | | - | £1329.75 |
| LWHY45-2835 | 2835 | 27 | | - | £1385.02 |
| LWHY45-2940 | 2940 | 28 | | - | £1440.26 |
| LWHY45-C | - | - | | Carriage | £308.98 |

Material

Carbon Steel Hardened.

Performance

Max. Speed: Size 15 to 25 - 3m/sec. Size 45 - 2m/sec. Maximum Temperature: +100°C (Constant), +120° (Intermittent)

+44 (0)1246 455500

+44 (0)1246 455522

ondrives

sales@ondrives.com

www.ondrives.com

Product information updated 1st April 2011 and subject to change. Please contact Sales for the latest prices and availability.

LINEAR MOTION

LWHY45

Precision Linear Slides - Steel

HY-Series (Ball Retained) *Side Mounting* - 2 Row 4 Point Ball

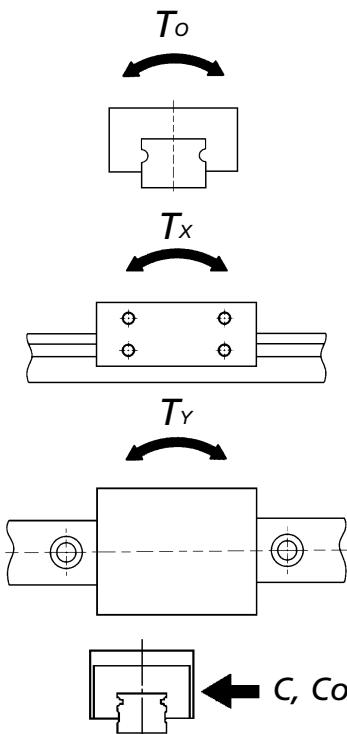
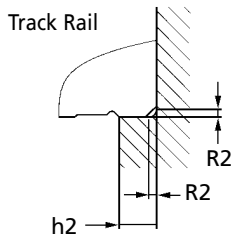
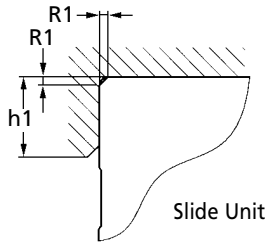
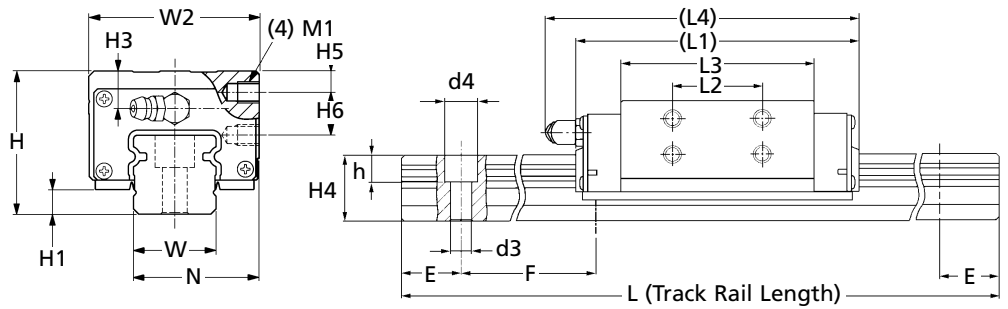
Performance

Dim Variation Between Carriage Slides on Same Rail: $H = 0.015$, $N = 0.020$

Parallelism in Operation Over: 500mm = 0.012mm, 1000mm = 0.018mm (A to C and D to B). Two higher tolerance grades are available. P.O.A.

Load Direction: See following tables.

Dynamic Rating: From a group of the same slide units, 90% achieve a distance of 50×10^3 metres.



| | LWHY45 |
|------------------------------------|----------|
| Weight kg | |
| Carriage (Slide Unit) | 3.30 |
| Track Rail per 100mm | 10.70 |
| Dimensions of Assembly mm | |
| H | 70.00 |
| H1 | 10.00 |
| N | 65.00 |
| Dimensions of Slide Unit mm | |
| W2 | 85.70 |
| L1 | 147.00 |
| L2 | 55.00 |
| L3 | 103.40 |
| L4 | 158.00 |
| M1 x Depth | M10 x 11 |
| h1 Shoulder Height | 1.50 |
| R1 Corner Radius (max) | 8.00 |
| H3 | 23.00 |
| H5 | 10.00 |
| H6 | 22.00 |
| Dimensions of Track Rail mm | |
| W | 45.00 |
| H4 | 34.00 |
| d3 | 14.00 |
| d4 | 20.00 |
| h | 17.00 |
| h2 Shoulder Height | 1.50 |
| R2 Corner Radius (max) | 7.00 |
| E | 52.50 |
| F | 105.00 |
| Basic Dynamic Load Rating | |
| C N | 47800.00 |
| Basic Static Load Rating | |
| Co N | 65000.00 |
| Static Rated Moment | |
| To Nm | 1720.00 |
| Tx Nm | 1200.00 |
| | 6420.00 |
| | 1100.00 |
| Ty Nm | 5900.00 |

Figures shown in T_o column and upper figures of all T_x and T_y of each model number apply to one slide unit as illustrated above.

The values shown below the single case figures for T_x and T_y are for two slide units in close contact.

Other Info.

Characteristics: Easy handling (Ball retaining band structure, prevents balls falling out). Easy maintenance. Smooth operation. Low noise. High accuracy. Long life. High reliability.

Lubrication: Every 6 months under general use. Every 3 months for daily use. Use a lithium-soap based grease. (Oil can be used). When ordering track rail, please order carriages required (1, 2, 3, etc.) per rail. For example: 1 x LWY15-120 rail and 2 x LWY15-C carriages = LWU15-120C2. Carriages and tracks are produced to suit each individual set.

For temperatures over 100°C we can supply special high temperature grease (200°C - supplied in syringe) CG2-SY : £31.80