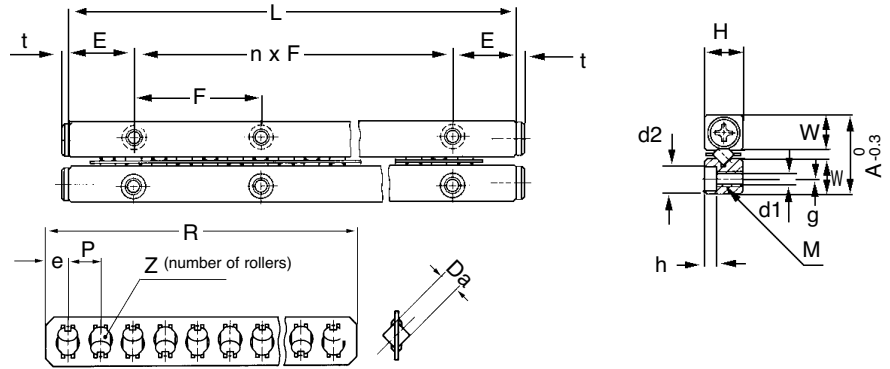
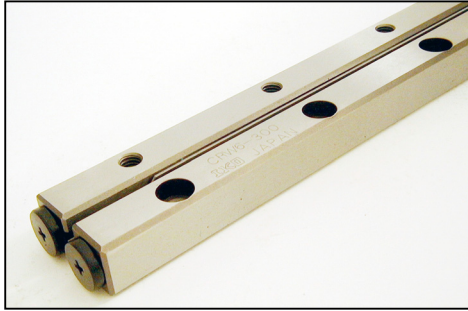


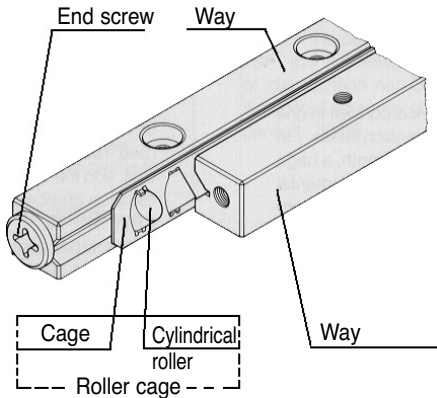
**CRW1  
CRW2**

# LINEAR MOTION

## Crossed Roller Way - Steel Cylindrical Roller Design - Matched Sets



One set includes 4 rails and 2 roller cages.  
Matched sets



Part Number	Weight G		Main Dimensions mm			
	WAY (1) kgm	Roller Cage (2) g	A	H	L (n x F)	E
CRW1-20	0.12	0.38	8.50	4	20 (1 x 10)	5.00
CRW1-30	0.12	0.38	8.50	4	30 (2 x 10)	5.00
CRW1-40	0.12	0.38	8.50	4	40 (3 x 10)	5.00
CRW1-50	0.12	0.38	8.50	4	50 (4 x 10)	5.00
CRW1-60	0.12	0.38	8.50	4	60 (5 x 10)	5.00
CRW1-70	0.12	0.38	8.50	4	70 (6 x 10)	5.00
CRW1-80	0.12	0.38	8.50	4	80 (7 x 10)	5.00
CRW2-30	0.24	0.98	12.00	6	30 (1 x 15)	7.50
CRW2-45	0.24	0.98	12.00	6	45 (2 x 15)	7.50
CRW2-60	0.24	0.98	12.00	6	60 (3 x 15)	7.50
CRW2-75	0.24	0.98	12.00	6	75 (4 x 15)	7.50
CRW2-90	0.24	0.98	12.00	6	90 (5 x 15)	7.50
CRW2-105	0.24	0.98	12.00	6	105 (6 x 15)	7.50
CRW2-120	0.24	0.98	12.00	6	120 (7 x 15)	7.50

### Material

Carbon Steel Hardened

### Performance

Max. Speed: 0.5 m/sec (30m/min). Temperature: +100°C (constant) +140°C (maximum)

+44 (0)1246 455500  
+44 (0)1246 455522

**ondrives**

sales@ondrives.com  
www.ondrives.com

Product information updated 1st April 2011 and subject to change. Please contact Sales for the latest prices and availability.

# LINEAR MOTION

**CRW1**  
**CRW2**

## Crossed Roller Way - Steel

Cylindrical Roller Design - Matched Sets

Part Number	MOUNTING DIMENSIONS mm							
	e	W	g	M	d1	d2	h	t
CRW1-20	2.25	3.90	1.80	M2	1.65	3.00	1.40	1.70
CRW1-30	2.25	3.90	1.80	M2	1.65	3.00	1.40	1.70
CRW1-40	2.25	3.90	1.80	M2	1.65	3.00	1.40	1.70
CRW1-50	2.25	3.90	1.80	M2	1.65	3.00	1.40	1.70
CRW1-60	2.25	3.90	1.80	M2	1.65	3.00	1.40	1.70
CRW1-70	2.25	3.90	1.80	M2	1.65	3.00	1.40	1.70
CRW1-80	2.25	3.90	1.80	M2	1.65	3.00	1.40	1.70
CRW2-30	2.80	5.50	2.50	M3	2.55	4.40	2.00	1.50
CRW2-45	2.80	5.50	2.50	M3	2.55	4.40	2.00	1.50
CRW2-60	2.80	5.50	2.50	M3	2.55	4.40	2.00	1.50
CRW2-75	2.80	5.50	2.50	M3	2.55	4.40	2.00	1.50
CRW2-90	2.80	5.50	2.50	M3	2.55	4.40	2.00	1.50
CRW2-105	2.80	5.50	2.50	M3	2.55	4.40	2.00	1.50
CRW2-120	2.80	5.50	2.50	M3	2.55	4.40	2.00	1.50

**Discounts: 6+ -10% 20+ -15% 40+ -18%**

Da	Roller Cage Dimensions mm			Basic Dynamic Load Rating Cu (3) N	Basic Static Load Rating Cou (3) N	Allowable Load Fu (3) N	Price Each per set 1 - 5
	R	Z	p				
1.50	16.50	5	3	131	119	39.6	£120.61
1.50	25.50	8	3	131	119	39.6	£125.98
1.50	31.50	10	3	131	119	39.6	£152.27
1.50	37.50	12	3	131	119	39.6	£168.07
1.50	43.50	14	3	131	119	39.6	£194.34
1.50	52.50	17	3	131	119	39.6	£204.79
1.50	61.50	20	3	131	119	39.6	£236.40
2.00	29.60	7	4	305	292	97.3	£120.61
2.00	41.60	10	4	305	292	97.3	£125.98
2.00	53.60	13	4	305	292	97.3	£152.27
2.00	65.60	16	4	305	292	97.3	£168.07
2.00	77.60	19	4	305	292	97.3	£194.34
2.00	89.60	22	4	305	292	97.3	£204.79
2.00	101.60	25	4	305	292	97.3	£236.40

### Other Info.

- (1) This value shows weight per one meter for individual rail.
- (2) This value shows weight per one roller cage in which 10 rollers are incorporated.
- (3) This value shows load per one roller.

For temperatures over 100°C we can supply special high temperature grease (200°C - supplied in syringe) **CG2-SY : £31.80**

+44 (0)1246 455500  
+44 (0)1246 455522

**ondrives**

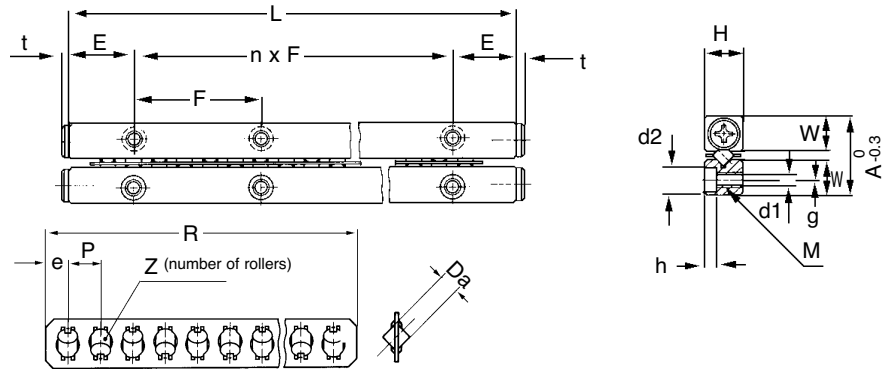
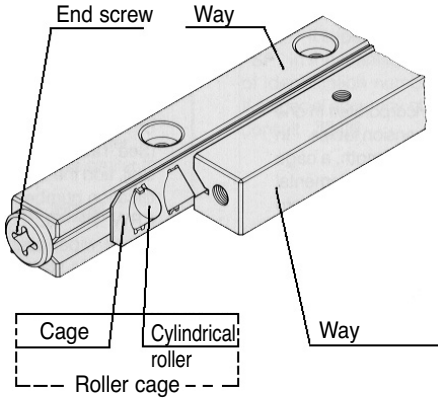
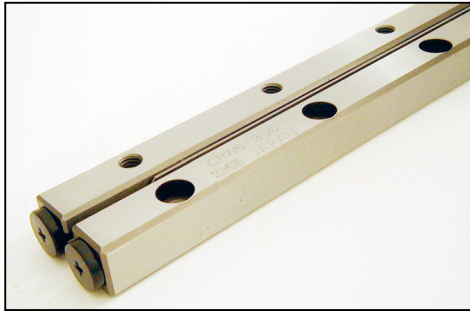
sales@ondrives.com  
www.ondrives.com

Product information updated 1st April 2011 and subject to change. Please contact Sales for the latest prices and availability.

**CRW3  
CRW4**

# LINEAR MOTION

## Crossed Roller Way - Steel Cylindrical Roller Design - Matched Sets



One set includes 4 rails and 2 roller cages.  
Matched sets

Part Number	Weight G		Main Dimensions mm			
	WAY (1) kgm	Roller Cage (2) g	A	H	L (n x F)	E
CRW3-50	0.50	2.96	18	8	50 (1 x 25)	12.50
CRW3-75	0.50	2.96	18	8	75 (2 x 25)	12.50
CRW3-100	0.50	2.96	18	8	100 (3 x 25)	12.50
CRW3-125	0.50	2.96	18	8	125 (4 x 25)	12.50
CRW3-150	0.50	2.96	18	8	150 (5 x 25)	12.50
CRW3-175	0.50	2.96	18	8	175 (6 x 25)	12.50
CRW3-200	0.50	2.96	18	8	200 (7 x 25)	12.50
CRW3-225	0.50	2.96	18	8	225 (8 x 25)	12.50
CRW3-250	0.50	2.96	18	8	255 (9 x 25)	12.50
CRW3-275	0.50	2.96	18	8	275 (10 x 25)	12.50
CRW3-300	0.50	2.96	18	8	300 (11 x 25)	12.50
CRW4-80	0.82	6.91	22	11	80 (1 x 40)	20.00
CRW4-120	0.82	6.91	22	11	120 (2 x 40)	20.00
CRW4-160	0.82	6.91	22	11	160 (3 x 40)	20.00
CRW4-200	0.82	6.91	22	11	200 (4 x 40)	20.00
CRW4-240	0.82	6.91	22	11	240 (5 x 40)	20.00
CRW4-280	0.82	6.91	22	11	280 (6 x 40)	20.00
CRW4-320	0.82	6.91	22	11	320 (7 x 40)	20.00
CRW4-360	0.82	6.91	22	11	360 (8 x 40)	20.00
CRW4-400	0.82	6.91	22	11	400 (9 x 40)	20.00
CRW4-440	0.82	6.91	22	11	440 (10 x 40)	20.00
CRW4-480	0.82	6.91	22	11	480 (11 x 40)	20.00

### Material

Carbon Steel Hardened

### Performance

Max. Speed: 0.5 m/sec (30m/min). Temperature: +100°C (constant) +140°C (maximum)

+44 (0)1246 455500  
+44 (0)1246 455522

**ondrives**

sales@ondrives.com  
www.ondrives.com

Product information updated 1st April 2011 and subject to change. Please contact Sales for the latest prices and availability.

# LINEAR MOTION

**CRW3**  
**CRW4**

## Crossed Roller Way - Steel

Cylindrical Roller Design - Matched Sets

Part Number	MOUNTING DIMENSIONS mm							
	e	W	g	M	d1	d2	h	t
CRW3-50	3.50	8.30	3.50	M4	3.30	6.60	3.10	2
CRW3-75	3.50	8.30	3.50	M4	3.30	6.60	3.10	2
CRW3-100	3.50	8.30	3.50	M4	3.30	6.60	3.10	2
CRW3-125	3.50	8.30	3.50	M4	3.30	6.60	3.10	2
CRW3-150	3.50	8.30	3.50	M4	3.30	6.60	3.10	2
CRW3-175	3.50	8.30	3.50	M4	3.30	6.60	3.10	2
CRW3-200	3.50	8.30	3.50	M4	3.30	6.60	3.10	2
CRW3-225	3.50	8.30	3.50	M4	3.30	6.60	3.10	2
CRW3-250	3.50	8.30	3.50	M4	3.30	6.60	3.10	2
CRW3-275	3.50	8.30	3.50	M4	3.30	6.60	3.10	2
CRW3-300	3.50	8.30	3.50	M4	3.30	6.60	3.10	2
CRW4-80	5.00	10.00	4.50	M5	4.30	7.50	4.10	2
CRW4-120	5.00	10.00	4.50	M5	4.30	7.50	4.10	2
CRW4-160	5.00	10.00	4.50	M5	4.30	7.50	4.10	2
CRW4-200	5.00	10.00	4.50	M5	4.30	7.50	4.10	2
CRW4-240	5.00	10.00	4.50	M5	4.30	7.50	4.10	2
CRW4-280	5.00	10.00	4.50	M5	4.30	7.50	4.10	2
CRW4-320	5.00	10.00	4.50	M5	4.30	7.50	4.10	2
CRW4-360	5.00	10.00	4.50	M5	4.30	7.50	4.10	2
CRW4-400	5.00	10.00	4.50	M5	4.30	7.50	4.10	2
CRW4-440	5.00	10.00	4.50	M5	4.30	7.50	4.10	2
CRW4-480	5.00	10.00	4.50	M5	4.30	7.50	4.10	2

**Discounts:** 6+ -10% | 20+ -15% | 40+ -18%

Roller Cage Dimensions mm				Basic Dynamic Load Rating C <sub>u</sub> (3) N	Basic Static Load Rating C <sub>0u</sub> (3) N	Allowable Load F <sub>u</sub> (3) N	Price Each per set 1 - 5
Da	R	Z	p				
3	42	5	5	664	606	202	£115.53
3	62	8	5	664	606	202	£125.98
3	82	10	5	664	606	202	£152.27
3	102	12	5	664	606	202	£188.96
3	122	24	5	664	606	202	£220.63
3	142	28	5	664	606	202	£257.34
3	162	32	5	664	606	202	£294.04
3	182	36	5	664	606	202	£330.76
3	202	40	5	664	606	202	£434.56
3	222	44	5	664	606	202	£404.16
3	242	48	5	664	606	202	£440.88
6	73	10	7	1290	1170	389	£178.54
6	101	14	7	1290	1170	389	£210.12
6	136	19	7	1290	1170	389	£251.97
6	164	23	7	1290	1170	389	£299.42
6	199	28	7	1290	1170	389	£346.63
6	227	32	7	1290	1170	389	£399.15
6	262	37	7	1290	1170	389	£462.14
6	297	42	7	1290	1170	389	£525.13
6	325	46	7	1290	1170	389	£588.13
6	360	51	7	1290	1170	389	£651.14
6	388	55	7	1290	1170	389	£714.12

### Other Info.

- (1) This value shows weight per one meter for individual rail.
- (2) This value shows weight per one roller cage in which 10 rollers are incorporated.
- (3) This value shows load per one roller.

For temperatures over 100°C we can supply special high temperature grease (200°C - supplied in syringe) **CG2-SY** : £31.80

+44 (0)1246 455500  
+44 (0)1246 455522

**ondrives**

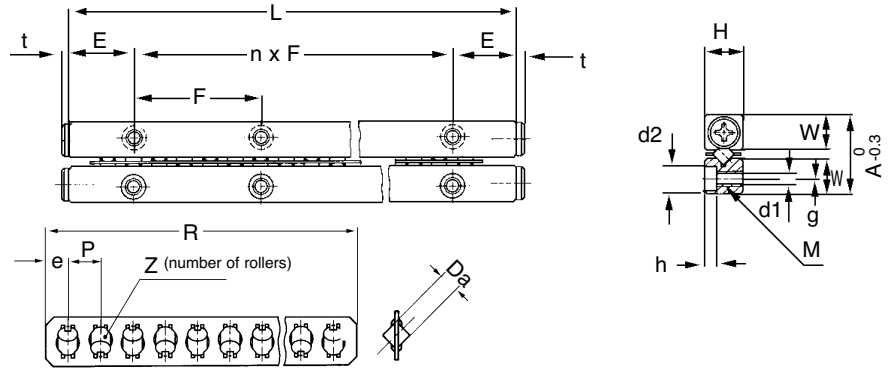
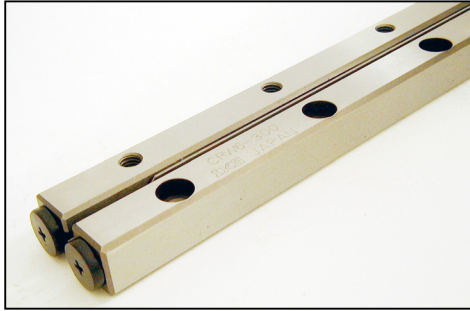
sales@ondrives.com  
www.ondrives.com

Product information updated 1st April 2011 and subject to change. Please contact Sales for the latest prices and availability.

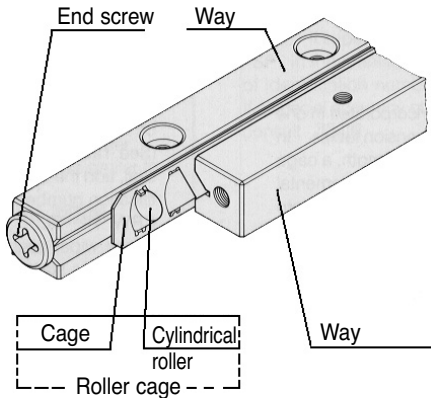
**CRW6**

# LINEAR MOTION

## Crossed Roller Way - Steel Cylindrical Roller Design - Matched Sets



One set includes 4 rails and 2 roller cages.  
Matched sets



Part Number	Weight G		Main Dimensions mm			
	WAY (1) kgm	Roller Cage (2) g	A	H	L (n x F)	E
CRW6-100	1.57	20.30	31	15	100 (1 x 50)	25
CRW6-150	1.57	20.30	31	15	150 (2 x 50)	25
CRW6-200	1.57	20.30	31	15	200 (3 x 50)	25
CRW6-250	1.57	20.30	31	15	250 (4 x 50)	25
CRW6-300	1.57	20.30	31	15	300 (5 x 50)	25
CRW6-350	1.57	20.30	31	15	350 (6 x 50)	25
CRW6-400	1.57	20.30	31	15	400 (7 x 50)	25
CRW6-450	1.57	20.30	31	15	450 (8 x 50)	25
CRW6-500	1.57	20.30	31	15	500 (9 x 50)	25
CRW6-550	1.57	20.30	31	15	550 (10 x 50)	25
CRW6-600	1.57	20.30	31	15	600 (11 x 50)	25

### Material

Carbon Steel Hardened

### Performance

Max. Speed: 0.5 m/sec (30m/min). Temperature: +100°C (constant) +140°C (maximum)

+44 (0)1246 455500  
+44 (0)1246 455522

**ondrives**

sales@ondrives.com  
www.ondrives.com

Product information updated 1st April 2011 and subject to change. Please contact Sales for the latest prices and availability.

# LINEAR MOTION

CRW6

## Crossed Roller Way - Steel Cylindrical Roller Design - Matched Sets

Part Number	MOUNTING DIMENSIONS mm							
	e	W	g	M	d1	d2	h	t
CRW6-100	6	14	6	M6	5.30	9.50	5.20	3
CRW6-150	6	14	6	M6	5.30	9.50	5.20	3
CRW6-200	6	14	6	M6	5.30	9.50	5.20	3
CRW6-250	6	14	6	M6	5.30	9.50	5.20	3
CRW6-300	6	14	6	M6	5.30	9.50	5.20	3
CRW6-350	6	14	6	M6	5.30	9.50	5.20	3
CRW6-400	6	14	6	M6	5.30	9.50	5.20	3
CRW6-450	6	14	6	M6	5.30	9.50	5.20	3
CRW6-500	6	14	6	M6	5.30	9.50	5.20	3
CRW6-550	6	14	6	M6	5.30	9.50	5.20	3
CRW6-600	6	14	6	M6	5.30	9.50	5.20	3

Discounts: 6+ -10% 20+ -15% 40+ -18%

Da	Roller Cage Dimensions mm				Basic Dynamic Load Rating C <sub>u</sub> (3) N	Basic Static Load Rating C <sub>0u</sub> (3) N	Allowable Load F <sub>u</sub> (3) N	Price Each per set 1 - 5
	R	Z	p					
6	84	9	9	2680	2290	764	£205.04	
6	129	14	9	2680	2290	764	£257.55	
6	165	18	9	2680	2290	764	£310.18	
6	210	23	9	2680	2290	764	£367.79	
6	246	27	9	2680	2290	764	£420.58	
6	282	31	9	2680	2290	764	£494.08	
6	327	36	9	2680	2290	764	£567.51	
6	363	40	9	2680	2290	764	£640.79	
6	408	45	9	2680	2290	764	£714.09	
6	444	49	9	2680	2290	764	£787.37	
6	489	54	9	2680	2290	764	£860.65	

### Other Info.

(1) This value shows weight per one meter for individual rail.

(2) This value shows weight per one roller cage in which 10 rollers are incorporated.

(3) This value shows load per one roller.

For temperatures over 100°C we can supply special high temperature grease (200°C - supplied in syringe) **CG2-SY : £31.80**

+44 (0)1246 455500

+44 (0)1246 455522

**ondrives**

sales@ondrives.com

www.ondrives.com

Product information updated 1st April 2011 and subject to change. Please contact Sales for the latest prices and availability.