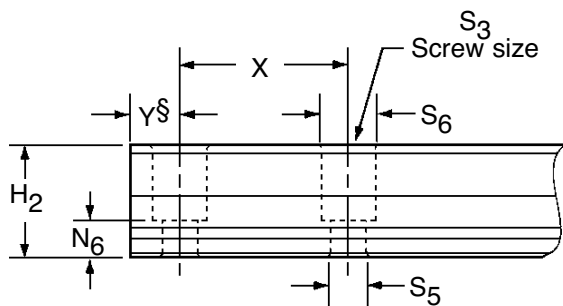


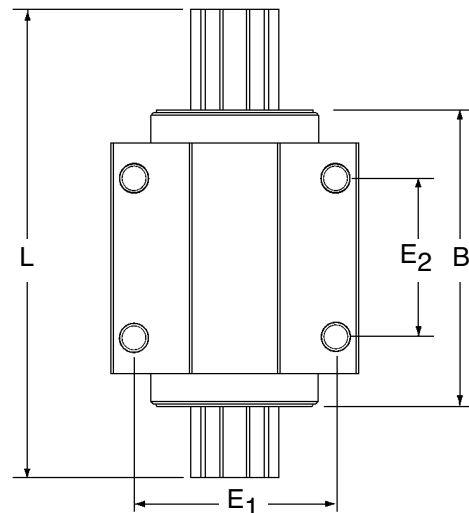
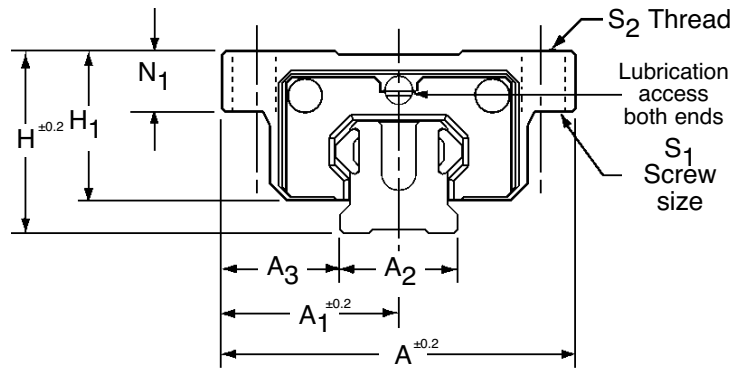
**AT-A
RT-AL**

LINEAR MOTION

AccuGlide™ T-Series™ Linear Ball Guides 'A' Style



Yδ Will be equal on both ends, unless otherwise specified.



Discounts: 20+ -5% 40+ -10% 60+ -15% 100+ -20% 200+ -35%

Type	A	A1	A2	A3	H	H1	H2	B	E1	E2	S1	S2	S3	S5	S6	N1	N5	N6	X	Max L
Series 20	63	31.5	20	21.5	30	25.0	18	76	53	40	M5	M6	M5	5.8	9.5	10.00	6.25	7.5	60	3000
Series 25	70	35.0	23	23.5	36	29.5	22	88	57	45	M6	M8	M6	7.0	10.7	12.00	8.00	10.0	60	3000
Series 35	100	50.0	34	33.0	48	40.0	29	117	82	62	M8	M10	M8	9.0	14.0	15.26	6.60	11.0	80	3000

Part Number		Load Ratings at 100km (N)		Mass		Price Each 1 - 19	
Rail	Carriage	Dynamic C	Static Co	Carriage kg	Rail kg/m	Rail Per Metre	Carriage
RT20AL1000	AT20A	9000	11000	0.22	0.79	£123.37	£54.88
RT25AL1000	AT25A	13000	15000	0.30	1.06	£134.49	£57.16
RT35AL1000	AT35A	25000	28000	0.74	2.27	£151.03	£107.84

A higher precision all steel version linear ball guide is also available. Please ask sales for details.

Material

Rail: Aluminium with Steel strips
Carriage: Aluminium/Steel

Performance

Speed: Max. 3m/s acceleration 50m/s²
Max. Operating Temp: 80°C

Ordering Information

When ordering a rail, please specify the number of carriages required (1,2,3, etc.) per rail.

for example: 1 x RT20AL1000 and 1 x AT20A

Note: a minimum of 1 carriage must be ordered per rail.
Carriages are dimensionally matched to rails during assembly.
Carriages are **not** ball retained.

+44 (0)1246 455500
+44 (0)1246 455522

ondrives

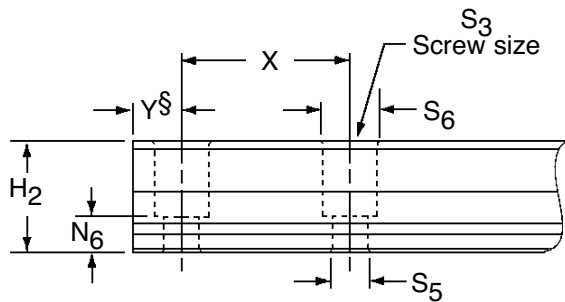
sales@ondrives.com
www.ondrives.com

Product information updated 1st April 2011 and subject to change. Please contact Sales for the latest prices and availability.

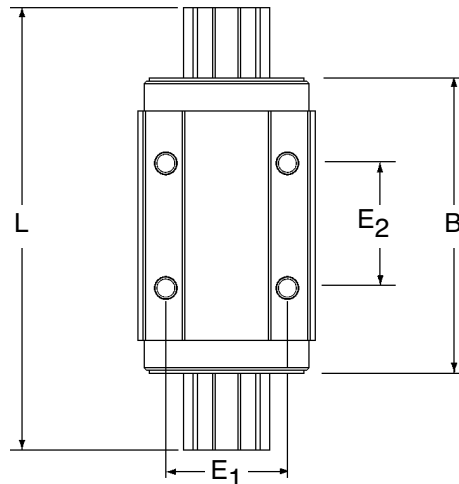
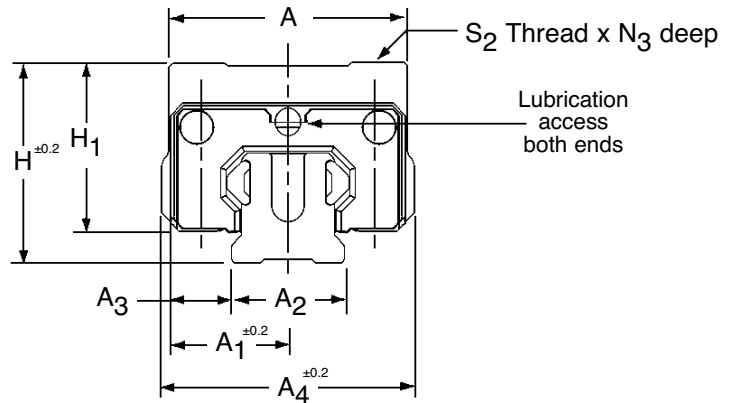
LINEAR MOTION

AccuGlide™ T-Series™ Linear Ball Guides 'E' Style

**AT-E
RT-EL**



Y&S Will be equal on both ends, unless otherwise specified.



Discounts: 20+ -5% 40+ -10% 60+ -15% 100+ -20% 200+ -35%

Type	A	A1	A2	A3	A4	H	H1	H2	B	E1	E2	S2	S3	S5	S6	N3	N5	N6	X	Max L
Series 20	44	22	20	12.0	41.5	30	25.0	18	76	32	36	M6	M5	5.8	9.5	6	6.25	7.5	60	3000
Series 25	48	24	23	12.5	50.9	40	33.5	22	88	35	35	M6	M6	7.0	10.7	8	12.00	10.0	60	3000
Series 35	70	35	34	18.0	68.0	55	47.0	29	117	50	50	M8	M8	9.0	14.0	12	13.60	11.0	80	3000

Part Number		Load Ratings at 100km (N)		Mass		Price Each 1 - 19	
Rail	Carriage	Dynamic C	Static Co	Carriage kg	Rail kg/m	Rail Per Metre	Carriage
RT20EL1000	AT20E	9000	11000	0.22	0.79	£123.37	£54.88
RT25EL1000	AT25E	13000	15000	0.30	1.06	£134.49	£57.16
RT35EL1000	AT35E	25000	28000	0.74	2.27	£151.03	£107.84

A higher precision all steel version linear ball guide is also available. Please ask sales for details.

Material

Rail: Aluminium with Steel strips
Carriage: Aluminium/Steel

Performance

Speed: Max. 3m/s acceleration 50m/s²
Max. Operating Temp: 80°C

Ordering Information

When ordering a rail, please specify the number of carriages required (1,2,3, etc.) per rail.

for example: 1 x **RT20EL1000** and 1 x **AT20E**

Note: a minimum of 1 carriage must be ordered per rail.

Carriages are dimensionally matched to rails during assembly.

Carriages are **not** ball retained.

+44 (0)1246 455500
+44 (0)1246 455522

ondrives

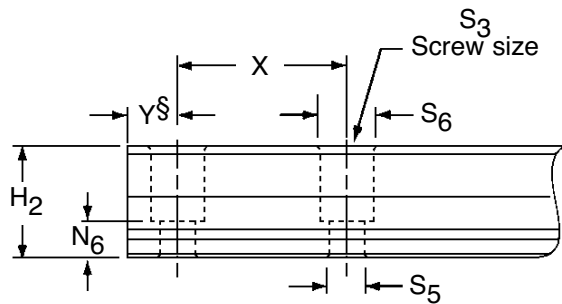
sales@ondrives.com
www.ondrives.com

Product information updated 1st April 2011 and subject to change. Please contact Sales for the latest prices and availability.

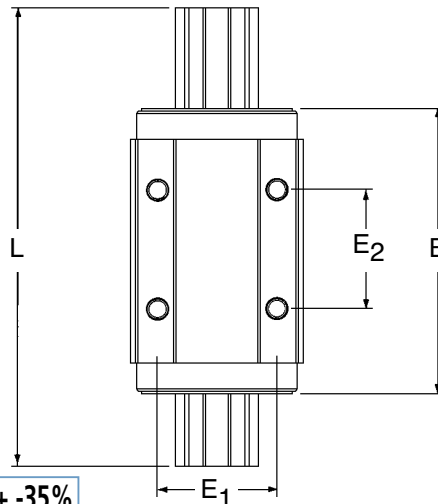
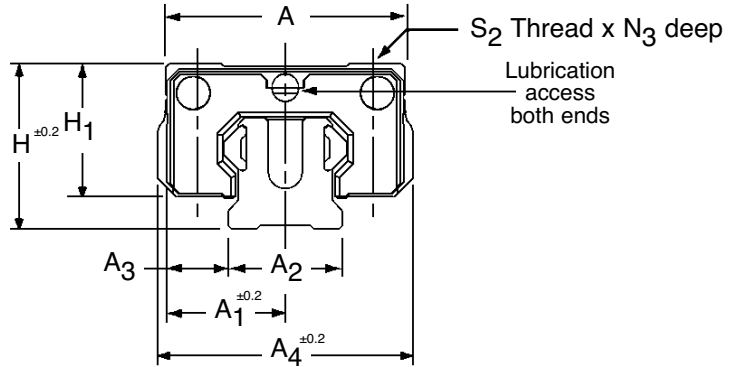
**AT-F
RT-FL**

LINEAR MOTION

AccuGlide™ T-Series™ Linear Ball Guides 'F' Style



Y§ Will be equal on both ends, unless otherwise specified.



Discounts: 20+ -5% 40+ -10% 60+ -15% 100+ -20% 200+ -35%

Type	A	A1	A2	A3	A4	H	H1	H2	B	E1	E2	S2	S3	S5	S6	N3	N5	N6	X	Max L
Series 20	42	21	20	11.0	41.5	28	23.0	18	76	32	32	M6	M5	5.8	9.5	6	4.25	7.5	60	3000
Series 25	48	24	23	12.5	51.0	33	26.5	22	88	35	35	M6	M6	7.0	10.7	8	5.00	10.0	60	3000
Series 35	70	35	34	18.0	68.0	48	40.0	29	117	50	50	M8	M8	9.0	14.0	12	6.60	11.0	80	3000

Part Number		Load Ratings at 100km (N)		Mass		Price Each	
Rail	Carriage	Dynamic C	Static Co	Carriage kg	Rail kg/m	Rail Per Metre	Carriage
RT20FL1000	AT20F	9000	11000	0.22	0.79	£123.37	£54.88
RT25FL1000	AT25F	13000	15000	0.30	1.06	£134.49	£57.16
RT35FL1000	AT35F	25000	28000	0.74	2.27	£151.03	£107.84

A higher precision all steel version linear ball guide is also available. Please ask sales for details.

Material

Rail: Aluminium with Steel strips
Carriage: Aluminium/Steel

Performance

Speed: Max. 3m/s acceleration 50m/s²
Max. Operating Temp: 80°C

Ordering Information

When ordering a rail, please specify the number of carriages required (1,2,3, etc.) per rail.

for example: 1 x RT20FL1000 and 1 x AT20F

Note: a minimum of 1 carriage must be ordered per rail.
Carriages are dimensionally matched to rails during assembly.
Carriages are **not** ball retained.

+44 (0)1246 455500
+44 (0)1246 455522

ondrives

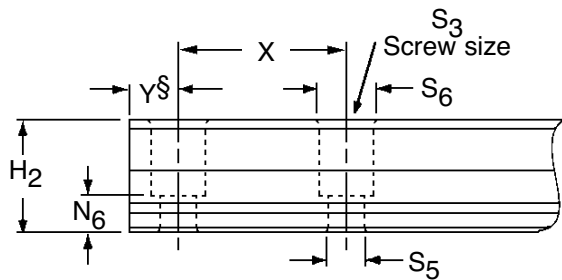
sales@ondrives.com
www.ondrives.com

Product information updated 1st April 2011 and subject to change. Please contact Sales for the latest prices and availability.

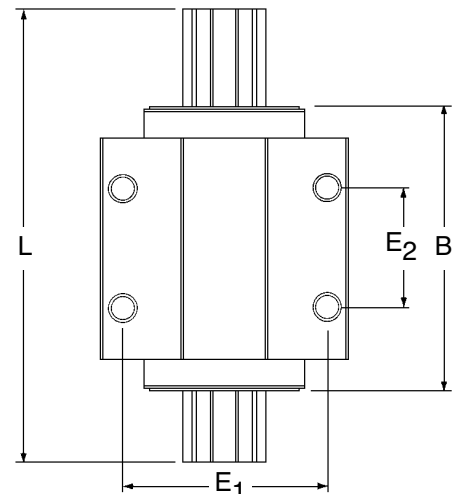
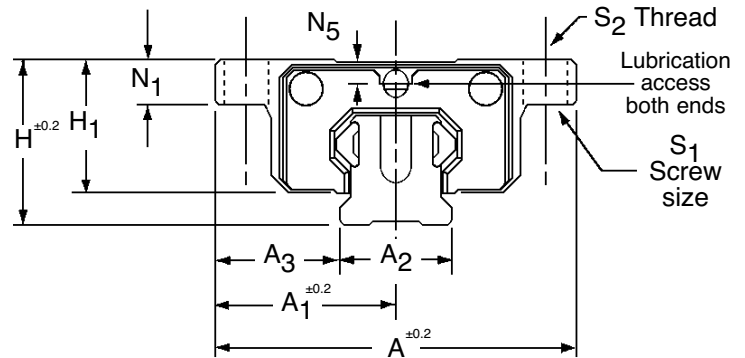
LINEAR MOTION

AccuGlide™ T-Series™ Linear Ball Guides 'G' Style

**AT-G
RT-GL**



Y δ Will be equal on both ends, unless otherwise specified.



Discounts: 20+ -5% 40+ -10% 60+ -15% 100+ -20% 200+ -35%

Type	A	A1	A2	A3	H	H1	H2	B	E1	E2	S1	S2	S3	S5	S6	N1	N5	N6	X	Max L
Series 20	59	29.5	20	19.5	28	23.0	18	76	49	32	M5	M6	M5	5.8	9.5	8.00	4.25	7.5	60	3000
Series 25	73	36.5	23	25.0	33	26.5	22	88	60	35	M6	M8	M6	7.0	10.7	9.00	5.00	10.0	60	3000
Series 35	100	50.0	34	33.0	48	40.0	29	117	82	50	M8	M10	M8	9.0	14.0	15.26	6.60	11.0	80	3000

Part Number		Load Ratings at 100km (N)		Mass		Price Each 1 - 19	
Rail	Carriage	Dynamic C	Static Co	Carriage kg	Rail kg/m	Rail Per Metre	Carriage
RT20GL1000	AT20G	9000	11000	0.22	0.79	£123.37	£54.88
RT25GL1000	AT25G	13000	15000	0.30	1.06	£P.O.A	£P.O.A
RT35GL1000	AT35G	25000	28000	0.74	2.27	£151.03	£107.84

A higher precision all steel version linear ball guide is also available. Please ask sales for details.

Material

Rail: Aluminium with Steel strips
Carriage: Aluminium/Steel

Performance

Speed: Max. 3m/s acceleration 50m/s²
Max. Operating Temp: 80°C

Ordering Information

When ordering a rail, please specify the number of carriages required (1,2,3, etc.,) per rail.

for example: 1 x **RT20GL1000** and 1 x **AT20G**

Note: a minimum of 1 carriage must be ordered per rail.

Carriages are dimensionally matched to rails during assembly.

Carriages are **not** ball retained.

+44 (0)1246 455500
+44 (0)1246 455522

ondrives

sales@ondrives.com
www.ondrives.com

Product information updated 1st April 2011 and subject to change. Please contact Sales for the latest prices and availability.