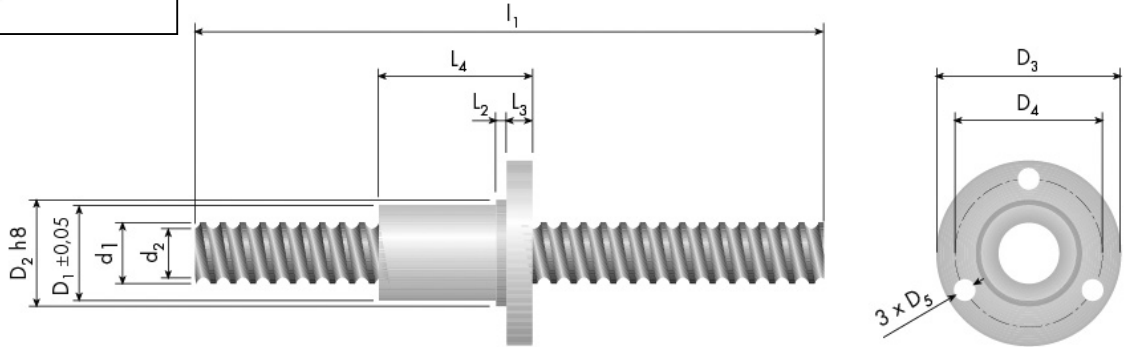
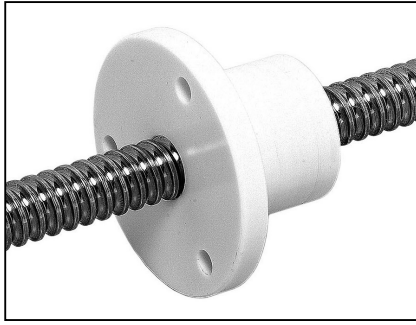


RGS

LINEAR MOTION

Rondo Leadscrew

Round Thread : 6 - 16mm Screw, 2 - 5mm Thread

**Discounts:** 10+ -5% 20+ -10% 50+ -15%

Part Number 1000SS Screw	Part Number POM Nut	d0xp	Screw				Nut						Load Cstat (N)	Price Each 1 - 9	
			d1	d2	D1 ±0.05	D2 h8	D3	D4	D5	L2	L3	L4		1000SS Screw	POM Nut
RGS6X21000SS	RFM6X2-EX100	6x2	5.7	4.6	20.5	21	38	29	4.2	3	5	25	600	£25.08	£57.04
RGS8X21000SS	RFM8X2-EX100	8x2	8.0	6.5	20.5	21	38	29	4.2	3	5	25	800	£38.95	£57.04
RGS10X31000SS	RFM10X3-EX100	10x3	9.9	7.8	23.5	24	42	32	4.2	3	5	25	1200	£47.33	£66.54
RGS12X41000SS	RFM12X4-EX100	12x4	12.0	9.8	25.5	26	46	36	5.1	3	7	42	2500	£59.53	£76.08
RGS14X41000SS	RFM14X4-EX100	14x4	14.0	11.5	25.5	26	46	36	5.1	3	7	42	3200	£76.08	£76.08
RGS16X51000SS	RFM16X5-EX100	16x5	15.7	13.0	29.5	30	49	39	5.1	3	7	42	5000	£89.59	£85.59

Material

Screw: Stainless Steel X20Cr13, material No. 1.4021
Stainless steel as standard, other materials on request
Nut: EX100 white plastic, other materials on request.

Performance

Temperature Range: (EX100 nut) -40° to +60°C.

Ordering Information

Screw Example RGS 6 x 2 1000 SS

Rondo Leadscrew _____

Dia x Pitch _____

Length of Leadscrew required (in mm) _____

Material _____

eg: **RGS6x21000SS**
= Rondo leadscrew, 6mm dia. x 2mm pitch, 1000mm long in stainless steel.

Nut Example RFM 6 x 2 - EX100

Rondo Nut _____

Dia x Pitch _____

Material _____

eg: **RFM6x2-EX100**
= Rondo nut, 6mm dia. x 2mm pitch in EX100 plastic.

Other Info.

Right hand threads are standard, left hand threads available on request.
Leadscrew length 1000mm as standard, other lengths available on request.
Lead accuracy G9 = ±0.1mm/300mm standard. GX = lead accuracy according to spec on request.

End machining according to your drawing is also available on request.
Leadscrews and nuts supplied separate as standard.

EX100 nut also available in bronze on request. Contact sales for details.
Rondo Screws are a true alternative to conventional trapezoidal screws. They deliver outstanding efficiency and quiet running due to their round thread profile. Made of stainless steel, the leadscrews are combined with plastic flange nuts (outer dimensions equal to those of standard Speedy flange nuts). Currently the following types are available: 6 x 2, 8 x 2, 10 x 3, 12 x 4, 14 x 4, 16 x 5.

Please contact our technical department for more detailed information or special requests.

Nut Design: One standard nut design has been defined - standard flange nut. Other application-specific nut designs can be supplied on request including injection-molded solutions.

Precision: Standard: ±0.1mm/300mm (class G9 as per DIN 69051). On request: <±0.1mm/300mm

Duty Cycle: Load rates, lubrication notice and basic calculation with load factor fL are based on a duty cycle of 10% for a Rondo made of standard material.

+44 (0)1246 455500
+44 (0)1246 455522

ondrives

sales@ondrives.com
www.ondrives.com

Product information updated 1st April 2011 and subject to change. Please contact Sales for the latest prices and availability.