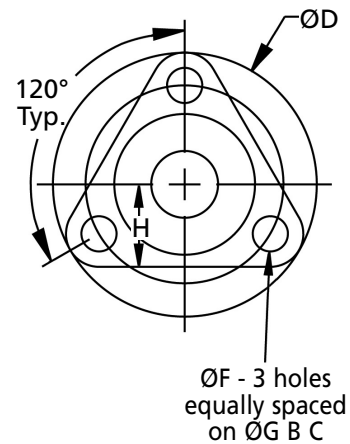
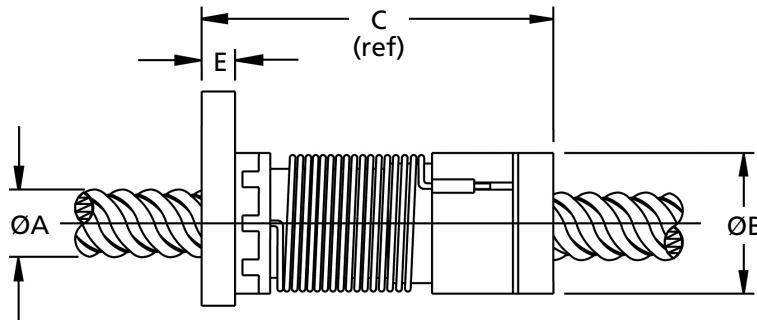


LINEAR MOTION

KHD

Precision Leadscrew Assemblies

Anti-Backlash Nut & Leadscrew



Discounts: 5+ -4% | 10+ -10% | 25+ -15%

Part Number	Screw ØA	Nut ØB	Nut Length C	Flange ØD	Flange Width E	Mount Hole ØF	Bolt ØG	H	Metric Lead	Drag Torque Nm	Design Load kg	Efficiency	Root Ø	Price Each 1 - 4	
														A	B
KHD6M01.4	9.53	20.32	50.80	38.10	4.83	5.08	28.58	11.9	1.4	0.007-0.020	10	36%	7.69	£161.36	£192.09
KHD6M02	9.53	20.32	50.80	38.10	4.83	5.08	28.58	11.9	2.0	0.007-0.020	10	47%	6.76	£161.36	£192.09
KHD6M04	9.53	20.32	50.80	38.10	4.83	5.08	28.58	11.9	4.0	0.007-0.020	10	65%	6.98	£161.36	£192.09
KHD6M05	9.53	20.32	50.80	38.10	4.83	5.08	28.58	11.9	5.0	0.007-0.020	10	69%	6.76	£161.36	£192.09
KHD6M12	9.53	20.32	50.80	38.10	4.83	5.08	28.58	11.9	12.0	0.007-0.020	10	80%	7.29	£161.36	£192.09
KHD6M25	9.53	20.32	50.80	38.10	4.83	5.08	28.58	11.9	25.0	0.007-0.020	10	84%	6.60	£161.36	£192.09

Material

Nut: Self-lubricating Acetal **Leadscrew:** 303 Stainless Steel with TFE extended life coating

Performance

Positional Repeatability: 0.0013mm **Lead Accuracy:** 0.0006mm/mm

Other Info.

When ordering add to the part number:-
for 300mm long add A
for 600mm long add B

+44 (0)1246 455500
+44 (0)1246 455522

ondrives

sales@ondrives.com
www.ondrives.com

Product information updated 1st April 2011 and subject to change. Please contact Sales for the latest prices and availability.