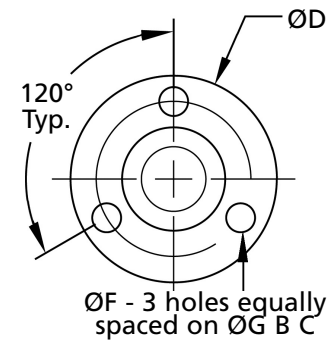
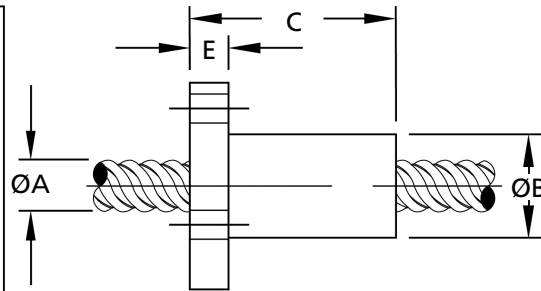


LINEAR MOTION

B

Precision Leadscrew Assemblies

General Purpose Nut & Leadscrew



Discounts: 5+ -4% 10+ -10% 25+ -15%

Part Number	No. of Starts	Screw ØA	Nut ØB	Nut Length C	Flange ØD	Flange Width E	Mount Hole ØF	Bolt ØG	Metric Lead	Design Load kg	Efficiency	Root Ø	Price Each 1 - 4	
													A 300mm	B 600mm
B4M01	1	6.35	12.70	25.40	25.40	4.75	3.56	19.05	1.00	20	41%	4.82	£132.54	£163.28
B4M01.5	1	6.35	12.70	25.40	25.40	4.75	3.56	19.05	1.50	20	52%	4.37	£132.54	£163.28
B4M02	1	6.35	12.70	25.40	25.40	4.75	3.56	19.05	2.00	20	59%	4.32	£132.54	£163.28
B4M03	2	6.35	12.70	25.40	25.40	4.75	3.56	19.05	3.00	20	68%	4.32	£132.54	£163.28
B4M10	5	6.35	12.70	25.40	25.40	4.75	3.56	19.05	10.00	20	75%	4.32	£132.54	£163.28
B6M01.4	1	9.53	15.88	25.40	28.58	4.75	3.56	23.23	1.40	35	36%	7.69	£142.15	£169.02
B6M02	1	9.53	15.88	25.40	28.58	4.75	3.56	23.23	2.00	35	47%	6.76	£142.15	£169.02
B6M04	2	9.53	15.88	25.40	28.58	4.75	3.56	23.23	4.00	35	65%	6.96	£142.15	£169.02
B6M05	2	9.53	15.88	25.40	28.58	4.75	3.56	23.23	5.00	35	69%	6.76	£142.15	£169.02
B6M12	5	9.53	15.88	25.40	28.58	4.75	3.56	23.23	12.00	35	82%	7.29	£142.15	£169.02
B6M25	8	9.53	15.88	25.40	28.58	4.75	3.56	23.23	25.00	35	84%	6.60	£142.15	£169.02
B7M02	1	11.11	19.05	38.10	38.10	4.75	5.16	28.58	2.00	40	45%	9.50	£142.15	£184.42
B7M03	2	11.11	19.05	38.10	38.10	4.75	5.16	28.58	3.00	40	52%	7.82	£142.15	£184.42
B7M05	2	11.11	19.05	38.10	38.10	4.75	5.16	28.58	5.00	40	65%	7.95	£142.15	£184.42
B7M06	2	11.11	19.05	38.10	38.10	4.75	5.16	28.58	6.00	40	70%	7.95	£142.15	£184.42
B7M10	4	11.11	19.05	38.10	38.10	4.75	5.16	28.58	10.00	40	77%	7.95	£142.15	£184.42
B7M12	4	11.11	19.05	38.10	38.10	4.75	5.16	28.58	12.00	40	80%	8.26	£142.15	£184.42
B8M02.5	1	12.70	19.05	38.10	38.10	4.75	5.16	28.58	2.50	68	46%	9.65	£157.52	£201.71
B8M04	2	12.70	19.05	38.10	38.10	4.75	5.16	28.58	4.00	68	58%	9.75	£157.52	£201.71
B8M05	2	12.70	19.05	38.10	38.10	4.75	5.16	28.58	5.00	68	62%	9.27	£157.52	£201.71
B8M10	4	12.70	19.05	38.10	38.10	4.75	5.16	28.58	10.00	68	76%	9.19	£157.52	£201.71
B8M25	8	12.70	19.05	38.10	38.10	4.75	5.16	28.58	25.00	68	84%	9.45	£157.52	£201.71
B10M08	3	15.88	22.23	38.10	38.10	4.75	5.16	30.18	8.00	100	68%	12.52	£178.65	£242.04
B12M2.5	1	19.05	28.58	50.80	44.45	6.35	5.16	36.53	2.50	160	46%	15.09	£222.85	£299.68
B12M05	2	19.05	28.58	50.80	44.45	6.35	5.16	36.53	5.00	160	51%	15.85	£222.85	£299.68
B12M10	4	19.05	28.58	50.80	44.45	6.35	5.16	36.53	10.00	160	74%	15.72	£222.85	£299.68
B12M15	5	19.05	28.58	50.80	44.45	6.35	5.16	36.53	15.00	160	74%	15.75	£222.85	£299.68
B12M19	6	19.05	28.58	50.80	44.45	6.35	5.16	36.53	19.00	160	77%	-	£222.85	£P.O.A
B12M24	10	19.05	28.58	50.80	44.45	6.35	5.16	36.53	24.00	160	80%	16.26	£222.85	£299.68
B12M50	14	19.05	28.58	50.80	44.45	6.35	5.16	36.53	50.00	160	84%	15.88	£222.85	£299.68
B14M06	4	22.23	38.10	57.10	57.15	6.35	5.16	47.63	6.00	227	52%	18.97	£276.65	£366.94
B14M24	8	22.23	38.10	57.10	57.15	6.35	5.16	47.63	24.00	227	79%	19.05	£276.65	£366.94

Material

Nut: Self-lubricating Acetal **Leadscrew:** 303 Stainless Steel with TFE extended life coating

Performance

Positional Repeatability: 0.0013mm **Lead Accuracy:** 0.0006mm/mm

Other Info.

For applications not requiring anti-backlash and wear compensation. Provides effective power transmission at minimum cost and features long life self-lubricating polyacetal nuts. The secure mounting and convenience of a circular flange is standard on the "B" nuts.

When ordering add to the part number:- for 300mm long add A for 600mm long add B

+44 (0)1246 455500
+44 (0)1246 455522

ondrives

sales@ondrives.com
www.ondrives.com

Product information updated 3rd May 2011 and subject to change. Please contact Sales for the latest prices and availability.