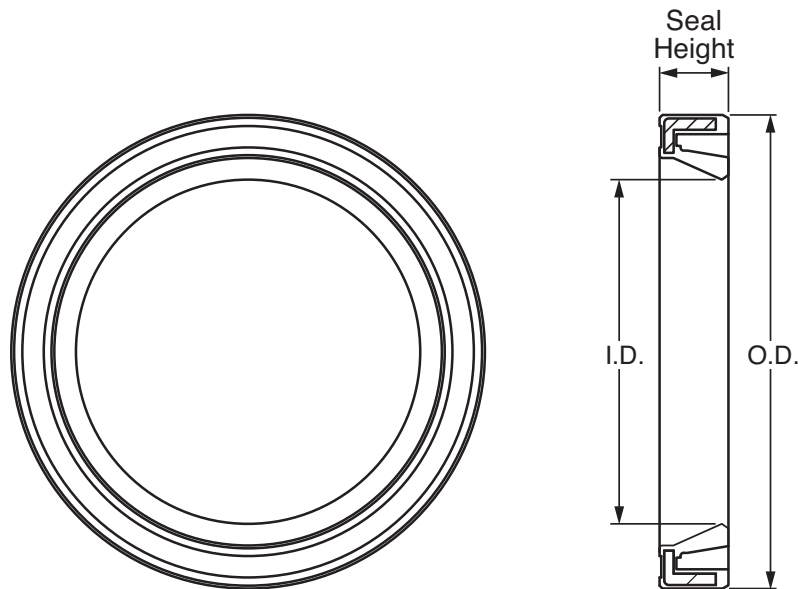


LINEAR MOTION

LS

Wiper Seals Single Lip



Note: LS wiper seals have a metric inside diameter and an inch outside diameter.

Part Number	Shaft Size	Internal Dia.	Outsided Dia.	Seal Height	Price Each
LS5	5	5	0.375 ^{+0.006} / _{+0.012}	0.137	£P.O.A
LS8	8	8	0.531 ^{+0.006} / _{+0.012}	0.137	£P.O.A
LS12	12	12	0.750 ^{+0.006} / _{+0.012}	0.157	£P.O.A
LS16	16	16	0.906 ^{+0.006} / _{+0.012}	0.157	£P.O.A
LS20	20	20	1.125 ^{+0.006} / _{+0.012}	0.196	£P.O.A
LS25	25	25	1.375 ^{+0.006} / _{+0.012}	0.236	£P.O.A
LS30	30	30	1.625 ^{+0.006} / _{+0.012}	0.275	£P.O.A
LS40	40	40	2.218 ^{+0.008} / _{+0.014}	0.312	£P.O.A
LS50	50	50	2.750 ^{+0.008} / _{+0.014}	0.354	£P.O.A
LS60	60	60	3.250 ^{+0.008} / _{+0.014}	0.398	£P.O.A
LS80	80	80	4.250 ^{+0.008} / _{+0.014}	0.472	£P.O.A

Material

Nitrile rubber NBR sh70±5 with fully encapsulated carbon steel support (AISI 1008/1010)

Features

Designed for light wiping action and low pressure.

+44 (0)1246 455500
+44 (0)1246 455522

ondrives

sales@ondrives.com
www.ondrives.com

Product information updated 1st April 2011 and subject to change. Please contact Sales for the latest prices and availability.