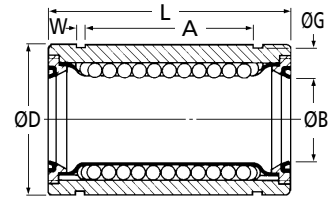
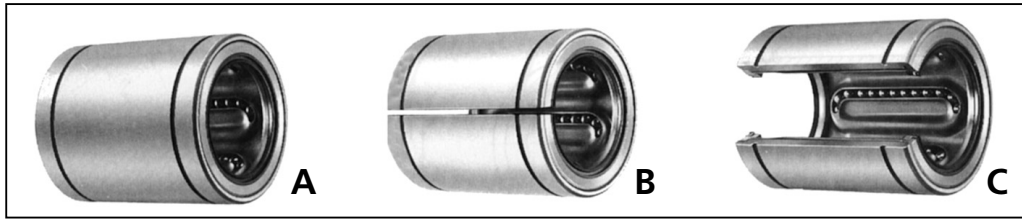


**LB
LBE**

LINEAR MOTION

Linear Bearings/Bushings

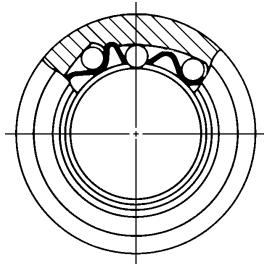
With Seals : For Use with Linear Shafting : 5 - 80mm Bores



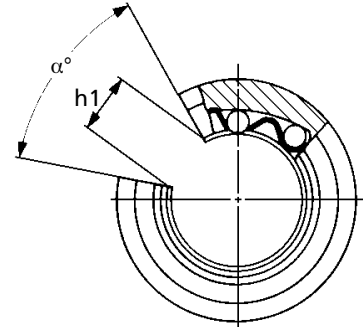
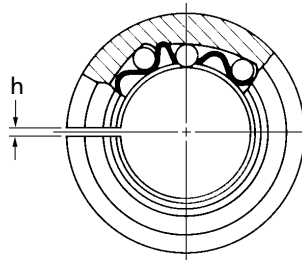
LBE-A
Closed (Standard)

LBE-B
Adjustable Clearance

LBE-C
Open



For use with
h6 Hard Linear
Shafting Z--A,
Z--B
60 HRC.
Ground &
polished



Part Number	Wt. g Type A	A-Ball Circs.	Wt. g Type B	B-Ball Circs.	Wt. g Type C	C-Ball Circs.	ØB	Tol. µm	ØD	Tol. µm	L	Tol. µm
LB/LBE5	10.0	4	9.5	4	N/A	N/A	5	+8/-0	12	0/-8	22	0/-210
LB/LBE8	20.0	4	19.0	4	N/A	N/A	8	+8/-0	16	0/-8	25	0/-210
LB/LBE12	41.0	4	40.0	4	32	3	12	+8/-0	22	0/-9	32	0/-250
LB/LBE16	56.5	4	54.5	4	44	3	16	+9/-1	26	0/-9	36	0/-250
LB/LBE20	92.0	5	90.0	5	75	4	20	+9/-1	32	0/-11	45	0/-250
LB/LBE25	220.0	6*	215.0	6*	181	5*	25	+11/-1	40	0/-11	58	0/-300
LB/LBE30	325.0	6	320.0	6	272	5	30	+11/-1	47	0/-11	68	0/-300
LB/LBE40	705.0	6	694.0	6	600	5	40	+13/-2	62	0/-13	80	0/-300
LB/LBE50	1130.0	6	1110.0	6	970	5	50	+13/-2	75	0/-13	100	0/-350
LB/LBE60**	2050/1860	6	2000/1820	6	1580/1610	5	60	+13/-2	90	0/-15	125	0/-400
LB/LBE80	5140.0	6	5100.0	6	4350	5	80	+16/-4	120	0/-15	165	0/-400

* Seals marked * extrude a little from width of external cylinder
** Not available sealed 1kgf = 9.807N = 2.205lbs. 1mm = 0.039 inch.

Part Number	A	Tol. µm	W	Groove ØG	h	h1	α°	Max. µm	BASIC DYNAMIC LOAD RATING - C		BASIC STATIC LOAD RATING - Co		Discounts: 6+ -10%		
									Load Direction A (N)	B (N)	Load Direction A (N)	B (N)	Type A	Type B	Type C
CARBON STEEL (Balls and external cylinder) (Ball retainer is resin and seals are rubber)															
LBE5	12	0/+270	1.10	11.50	1.00	-	-	12	90.8	104	219	310	£23.67	£26.21	-
LBE8	14	0/+270	1.10	15.20	1.00	-	-	12	121.0	139	255	361	£24.30	£27.18	-
LBE12	20	0/+330	1.30	21.00	1.50	7.50	78°	12	259.0	298	503	711	£24.62	£27.51	£30.37
LBE16	22	0/+330	1.30	24.90	1.50	10.00	78°	12	283.0	325	514	726	£30.37	£33.58	£35.19
LBE20	28	0/+330	1.60	30.30	2.00	10.00	60°	15	562.0	668	1010	1470	£32.63	£36.18	£40.95
LBE25	40	0/+390	1.85	37.50	2.00	12.50	60°	15	920.0	974	1780	2280	£37.76	£41.61	£50.56
LBE30	48	0/+390	1.85	44.50	2.00	12.50	50°	15	1350.0	1430	2500	3200	£51.84	£58.26	£64.00
LBE40	56	0/+460	2.15	59.00	3.00	16.80	50°	17	2030.0	2150	3620	4640	£86.41	£94.44	£99.22
LBE50	72	0/+460	2.65	72.00	3.00	21.00	50°	17	3940.0	4180	7130	9120	£108.83	£121.64	£128.05
LBE60	95	0/+400	3.15	86.50	3.00	27.20	54°	20	4760.0	5040	8150	10400	£267.58	£298.86	£325.86
LBE80	125	0/+400	4.15	116.00	3.00	36.30	54°	20	8710.0	9220	14500	18500	£557.21	£618.71	£694.38
STAINLESS STEEL 440C (Balls and external cylinder) (Ball retainer is resin and seals are rubber)															
LB5	12	0/+270	1.10	11.50	1.00	-	-	12	90.8	104	219	310	£50.44	£56.99	-
LB8	14	0/+270	1.10	15.20	1.00	-	-	12	121.0	139	255	361	£50.44	£56.99	-
LB12	20	0/+330	1.30	21.00	1.50	7.50	78°	12	259.0	298	503	711	£50.44	£56.99	£63.70
LB16	22	0/+330	1.30	24.90	1.50	10.00	78°	12	283.0	325	514	726	£76.46	£81.94	£82.14
LB20	28	0/+330	1.60	30.30	2.00	10.00	60°	15	562.0	668	1010	1470	£95.00	£115.50	-
LB25	40	0/+390	1.85	37.50	2.00	12.50	60°	15	920.0	974	1780	2280	£197.82	£209.64	-

Material

LB: Hardened Steel LB: Hard Stainless Steel similar to 440C

Performance

Shaft Tolerance: h6 (Normal Fit) j6 (Closer Fit)

Housing Tolerance: H7 (Clearance Fit) J7 (Interference Fit)

Max. Operating Temperature: +100°C (intermittent), +80°C (continuous)

Other Info.

LBE60 & LBE80 are not sealed and are fitted with metal ball retainers. Other sizes have resin retainers fitted as standard - metal retainers available on request, P.O.A.

+44 (0)1246 455500
+44 (0)1246 455522

ondrives

sales@ondrives.com
www.ondrives.com

Product information updated 1st April 2011 and subject to change. Please contact Sales for the latest prices and availability.