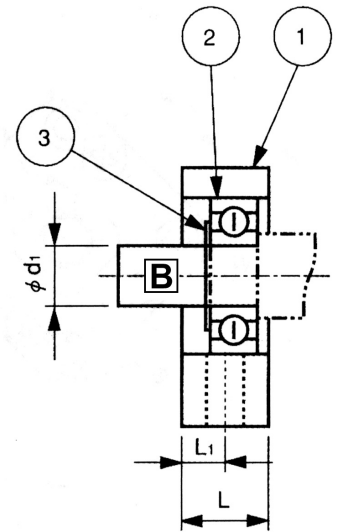
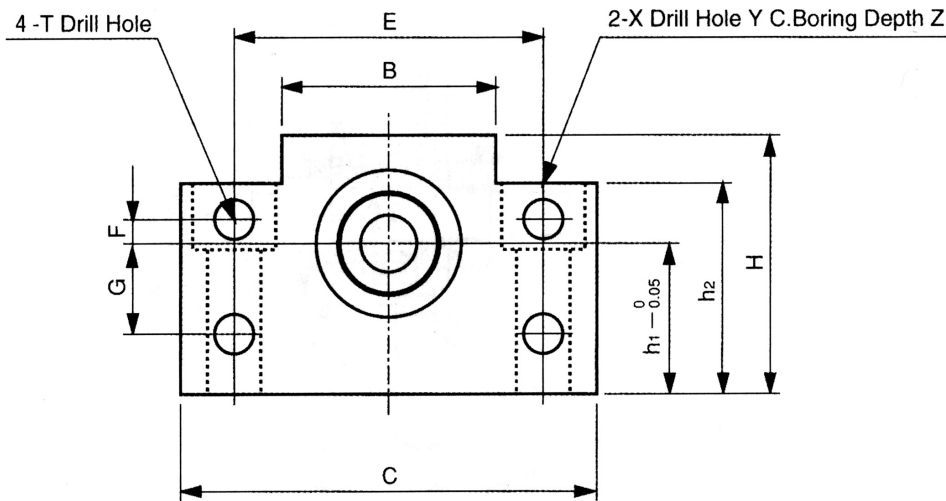
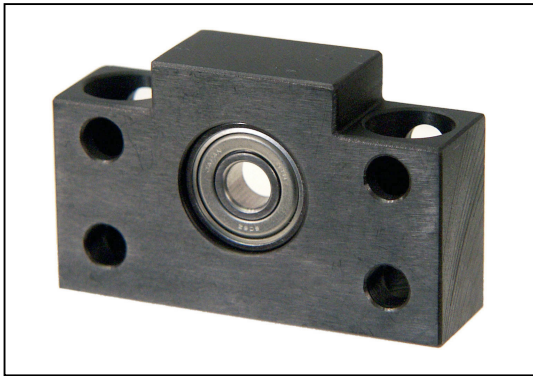


# LINEAR MOTION

**SPUT-S**

## Precision Deep Groove Simple Bearing Support Unit

Square Type (for 'B' end of PBST Ballscrew)



\*Suits PBST miniature C3 precision ground ball screw end.

Part Number	d1	L	L1	C	H	h1	h2	B	E	F	G	T	X	Y	Z	Snap Ring	Bearing Number	Assembly Price Each
SPUT-8S	6	15	7.5	52	32	17	26	25	38	4	10	5.5	6.6	11	12	C6	606ZZ	£79.19
SPUT-10S	8	20	10.0	70	43	25	35	36	52	4	15	6.6	9.0	14	11	C8	608ZZ	£83.11
SPUT-12S	10	20	10.0	70	43	25	35	36	52	4	15	6.6	9.0	14	11	C10	6000ZZ	£87.21
SPUT-15S	15	20	10.0	80	50	30	40	41	60	4	15	6.6	9.0	14	11	C15	6002ZZ	£98.94
SPUT-20S	20	26	13.0	95	58	30	45	56	75	-	-	-	11.0	17	15	C20	6204ZZ	£112.25

Discounts may be available for higher quantities, please check with sales.

### SPUT-S Assembly consists of

Item No.	Part Name	Quantity
1	Housing	1
2	Bearing	1
3	Snap Ring	1

### Material

Housing: Steel (JIS 545C)

### Notes:

1. Do not disassemble Support Units adjusted on proper preload.
2. Bearings in Support Units are greased properly.
3. After having fastened shaft end with a lock nut, put a brass piece into a drilled hole before tightening with a set screw slightly.