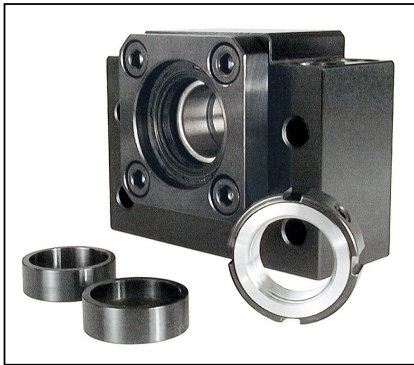


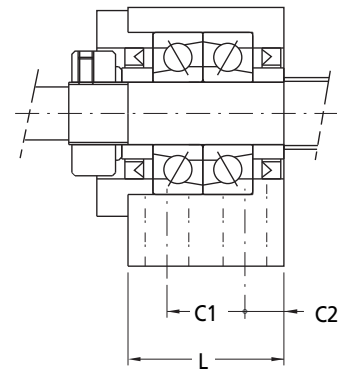
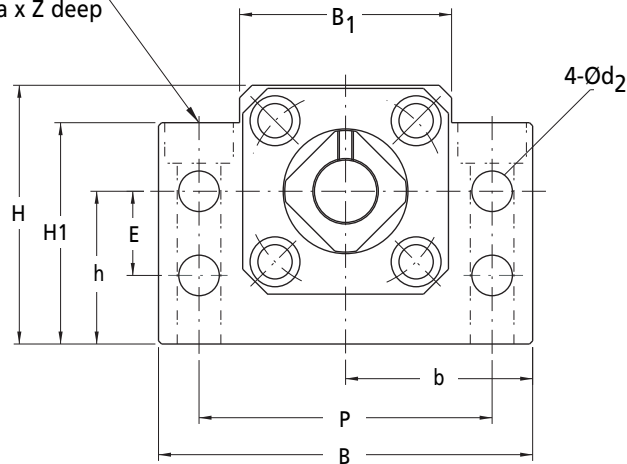
# LINEAR MOTION

**RPB**

## Ballscrew Bearing Units Rigid Support (Angular Contact Bearings)



4 holes x dia  
Counterbored Y dia x Z deep



Part Number	Fixing Holes						Fixed Bearing Unit			
	E	P	d <sub>2</sub>	X	Y	Z	L	Bearing	C <sub>1</sub>	C <sub>2</sub>
RPB10	15	46	5.5	6.6	11.0	5.0	25	7000DFGMP5	13	6
RPB12	18	46	5.5	6.6	11.0	1.5	25	7001DFGMP5	13	6
RPB15	18	54	5.5	6.6	11.0	6.5	27	7002DFGMP5	15	6
RPB17	28	68	6.6	9.0	14.0	8.5	35	7003DFGMP5	19	8
RPB20	22	70	6.6	9.0	14.0	8.5	35	7004DFGMP5	19	8
RPB25	33	85	9.0	11.0	17.5	11.0	42	7005DFGMP5	22	10
RPB30	33	102	11.0	14.0	20.0	13.0	45	7006DFGMP5	23	11
RPB40	37	130	14.0	18.0	26.0	17.5	61	7008DFGMP5	33	14

Part Number	Body Sizes				Datums		Price Each
	B	H	B <sub>1</sub>	H <sub>1</sub>	±0.02 b	±0.02 h	
RPB10	60	39	34	32.5	30	22	£130.24
RPB12	60	43	35	32.5	30	25	£144.45
RPB15	70	48	40	38.0	35	28	£167.52
RPB17	86	64	50	55.0	43	39	£196.14
RPB20	88	60	52	50.0	44	34	£211.07
RPB25	106	80	64	70.0	53	48	£246.25
RPB30	128	89	76	78.0	64	51	£281.44
RPB40	160	110	100	90.0	80	60	£357.07

### Material

Steel

Comes complete with : Bearings, lock nut, seals, & bearing/seal spacers (the same as the BF style design).

+44 (0)1246 455500  
+44 (0)1246 455522

**ondrives**

sales@ondrives.com  
www.ondrives.com

Product information updated 1st April 2011 and subject to change. Please contact Sales for the latest prices and availability.