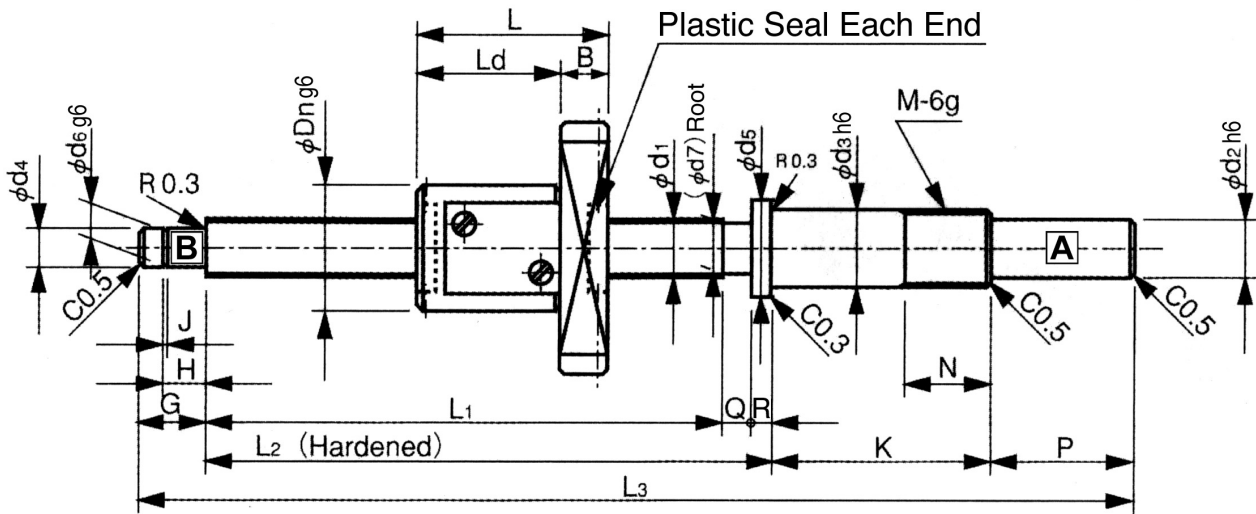
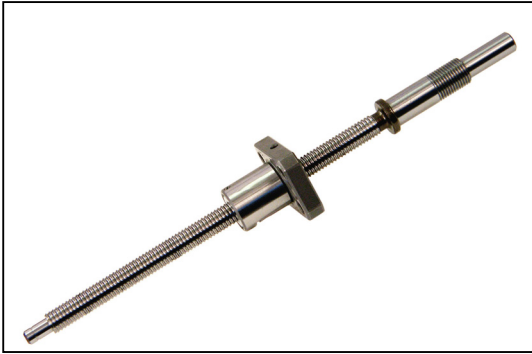


**PBST**

# LINEAR MOTION

## Miniature C3 Precision Ground Ball Screw

Low Clearance 0.01 : 6 - 10mm Screw, 1 - 2mm Lead

C = Chamfer **A** = End is designed for SPUT-F (precision P5 angular contact bearing support unit assembly)R = Radius **B** = End is designed for SPUT-S (precision deep groove simple bearing support unit)

Part Number	Nominal Dia. d1	Nominal Lead	Stroke	Shaft															
				L1	L2	L3	G	H	J	K	N	P	Q	R	d2 h6	d3 h6	d4 g6	d5	d6
PBST0601C3T-2.7-120	6	1	40	70	75	120	7	4.5	0.5	23	9	15	3	2	6	8	4	10	3.8
PBST0601C3T-2.7-150	6	1	70	100	105	150	7	4.5	0.5	23	9	15	3	2	6	8	4	10	3.8
PBST0601C3T-2.7-180	6	1	100	130	135	180	7	4.5	0.5	23	9	15	3	2	6	8	4	10	3.8
PBST0602C3T-2.7-124	6	2	40	74	79	124	7	4.5	0.5	23	9	15	3	2	6	8	4	10	3.8
PBST0602C3T-2.7-154	6	2	70	104	109	154	7	4.5	0.5	23	9	15	3	2	6	8	4	10	3.8
PBST0602C3T-2.7-184	6	2	100	134	139	184	7	4.5	0.5	23	9	15	3	2	6	8	4	10	3.8
PBST0801C3T-2.7-122	8	1	40	70	75	122	9	6.8	0.8	23	9	15	3	2	6	8	6	10	5.7
PBST0801C3T-2.7-152	8	1	70	100	105	152	9	6.8	0.8	23	9	15	3	2	6	8	6	10	5.7
PBST0801C3T-2.7-182	8	1	100	130	135	182	9	6.8	0.8	23	9	15	3	2	6	8	6	10	5.7
PBST0802C3T-2.7-137	8	2	50	85	90	137	9	6.8	0.8	23	9	15	3	2	6	8	6	10	5.7
PBST0802C3T-2.7-177	8	2	90	125	130	177	9	6.8	0.8	23	9	15	3	2	6	8	6	10	5.7
PBST0802C3T-2.7-207	8	2	120	155	160	207	9	6.8	0.8	23	9	15	3	2	6	8	6	10	5.7
PBST1002C3T-2.7-169	10	2	60	99	114	169	10	7.9	0.9	30	10	15	5	10	8	10	8	14	7.6
PBST1002C3T-2.7-209	10	2	100	139	154	209	10	7.9	0.9	30	10	15	5	10	8	10	8	14	7.6
PBST1002C3T-2.7-259	10	2	150	189	204	259	10	7.9	0.9	30	10	15	5	10	8	10	8	14	7.6

### Material

**Screw:** Hardened Steel SCM415H, 58-62 Hrc**Nut:** Hardened Steel SCM415H, 58-62 Hrc**Nut Seals:** Plastic resin**Grease:** Lithium based

C3 (JIS B1192 1987) precision grade

0.01 clearance nut, 0.008 pitch to pitch deviant (over 300mm), 0.006 over 1 rotation, 0.012 accumulated representative lead errors.

**Screw Groove:** Gothic arc**DO NOT REMOVE NUT:** Removal of nuts will result in loss of ball retention.

### Features

- The miniature precision ball screws with built-in wiper seals in the nut made of resin are standardised at both ends on C3 of the accuracy grade in accordance with JIS B1192. This enables users to create designs for saving space by utilising the compact nuts
- Temperature range under 100°C
- Max. speed 2500rpm
- Std. frictional torque of clearance design <0.01NM
- Zero clearance preload design is available
- Specials available, please ask sales for details

+44 (0)1246 455500

+44 (0)1246 455522

**ondrives**

sales@ondrives.com

www.ondrives.com

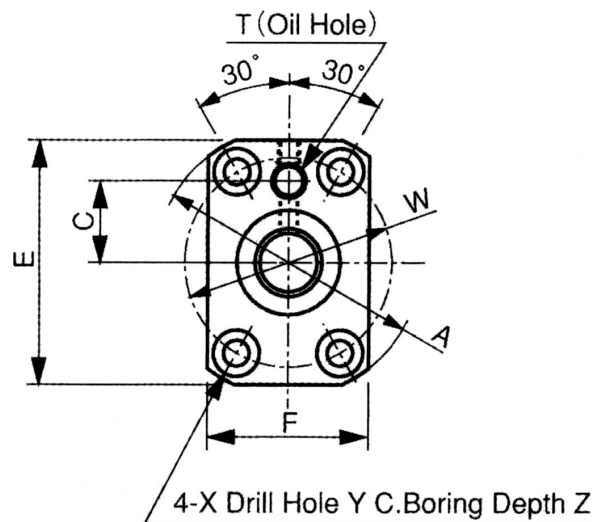
Product information updated 1st April 2011 and subject to change. Please contact Sales for the latest prices and availability.

# LINEAR MOTION

**PBST**

## Miniature C3 Precision Ground Ball Screw

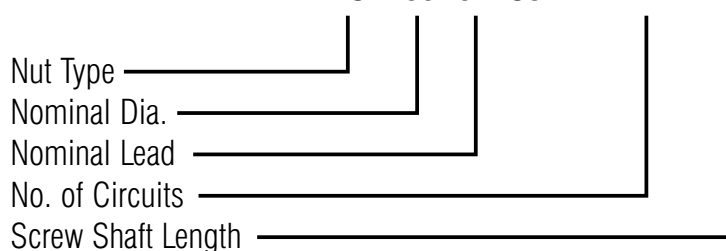
Low Clearance 0.01 Nut & Finish, Machined Ends



d7	S	M	Dn g6	Nut Dimensions										Basic Load Ratings (N)			Weight g	Price Each		
				A	L	Ld	B	E	F	W	C	T	X	Y	Z	Dynamic C			Static CO	Efficiency
5.2	-	M8x0.75	13	29	20	15	5	26	19	21	-	-	3.4	6.5	3.0	630	1130	91%	70	£495.07
5.2	-	M8x0.75	13	29	20	15	5	26	19	21	-	-	3.4	6.5	3.0	630	1130	91%	70	£509.48
5.2	-	M8x0.75	13	29	20	15	5	26	19	21	-	-	3.4	6.5	3.0	630	1130	91%	80	£567.12
4.5	-	M8x0.75	18	34	24	19	5	31	22	26	-	-	3.4	6.5	3.0	1350	2350	93%	90	£485.48
4.5	-	M8x0.75	18	34	24	19	5	31	22	26	-	-	3.4	6.5	3.0	1350	2350	93%	100	£499.87
4.5	-	M8x0.75	18	34	24	19	5	31	22	26	-	-	3.4	6.5	3.0	1350	2350	93%	110	£557.51
7.2	-	M8x0.75	16	32	20	15	5	29	21	24	-	-	3.4	6.5	3.0	750	1520	87%	90	£509.48
7.2	-	M8x0.75	16	32	20	15	5	29	21	24	-	-	3.4	6.5	3.0	750	1520	87%	110	£509.48
7.2	-	M8x0.75	16	32	20	15	5	29	21	24	-	-	3.4	6.5	3.0	750	1520	87%	120	£576.72
6.5	-	M8x0.75	20	40	25	19	6	36	25	30	-	-	4.5	8.0	4.4	16980	3085	92%	126	£519.09
6.5	-	M8x0.75	20	40	25	19	6	36	25	30	-	-	4.5	8.0	4.4	16980	3085	92%	140	£533.48
6.5	-	M8x0.75	20	40	25	19	6	36	25	30	-	-	4.5	8.0	4.4	16980	3085	92%	150	£557.51
8.5	12	M10x0.75	23	43	29	19	10	39	27	33	12	M6	4.5	8.0	4.4	1980	3820	91%	210	£538.29
8.5	12	M10x0.75	23	43	29	19	10	39	27	33	12	M6	4.5	8.0	4.4	1980	3820	91%	240	£552.68
8.5	12	M10x0.75	23	43	29	19	10	39	27	33	12	M6	4.5	8.0	4.4	1980	3820	91%	270	£671.91

### Ordering

**PBST 06 01 C3 T - 2.7 - 120**



### Features

Discounts may be available for higher quantities, please check with sales.

Additional grades of our precision ball screw are also available. Ask sales for details of our higher precision C1 and C0 grade ball screws, and our lower grade C5 ball screw. Furthermore, we have several sizes to choose from (Ø4x1p, Ø8x5p, Ø8x8p, Ø10x4p, Ø10x5p, Ø10x10p, etc...). If you require further information please do not hesitate to contact sales.

+44 (0)1246 455500  
+44 (0)1246 455522

**ondrives**

sales@ondrives.com  
www.ondrives.com

Product information updated 1st April 2011 and subject to change. Please contact Sales for the latest prices and availability.