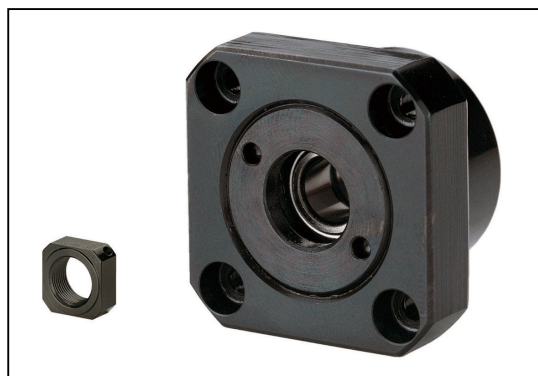


LINEAR MOTION

FK

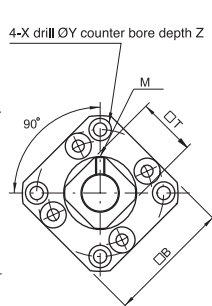
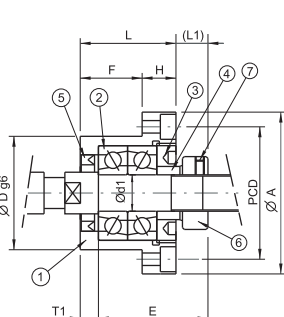
Support Unit Fixed Side Round Type



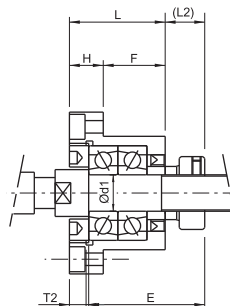
Assembly consists of

Item No.	Part Name	Quantity
1	Housing	1
2	Bearing	1 set
3	Holding Lid	1
4	Collar	2
5	Seal	2
6	Lock Nut	1 set
7	Hexagon Socket Head Setscrew (with set piece)	1

Mounting Method A



FK05-08

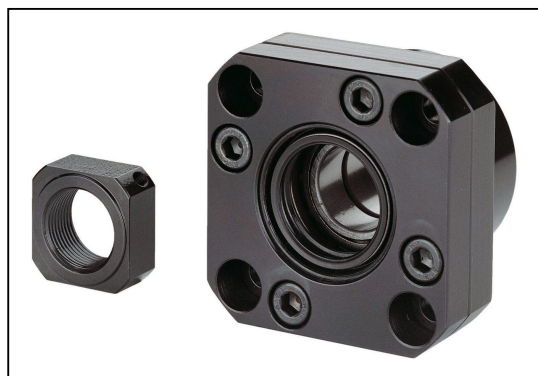


Mounting Method B

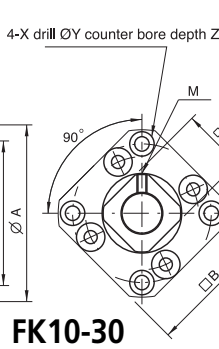
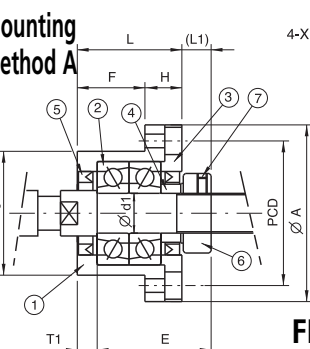
Discounts: 3+ -5% 6+ -10%

Part Number	Shaft Dia. d1	L	H	F	E	D	A	PCD	B	Mounting Method				X	Y	Z	M	T	Brg.	Price Each 1 - 2
										A		B								
FK05	5	16.5	6	10.5	18.5	20	34 ^{-0.007} _{-0.020}	26	26	5.5	3.5	7.0	5.0	3.4	6.5	4	M2.6	11	605ZZ	£70.25
FK06	6	20.0	7	13.0	22.0	22	36 ^{-0.007} _{-0.020}	28	28	5.5	3.5	8.5	6.5	3.4	6.5	4	M3	12	606ZZ	£70.25
FK08	8	23.0	9	14.0	26.0	28	43 ^{-0.007} _{-0.020}	35	35	7.0	4.0	10.0	7.0	3.4	6.5	4	M3	14	608ZZ	£70.25

Note: For light axial loads only, as bearing used is deep groove and not angular contact.
Axial clearance is 0.03mm

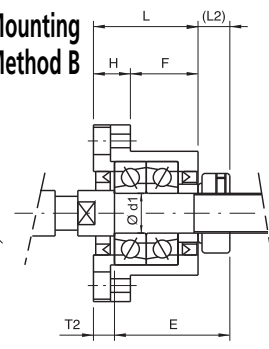


Mounting Method A



FK10-30

Mounting Method B



Discounts: 3+ -5% 6+ -10%

Part Number	Shaft Dia. d1	L	H	F	E	D	A	PCD	B	Mounting Method				X	Y	Z	M	T	Brg.	Price Each 1 - 2
										A		B								
FK10	10	27	10	17	29.5	34 ^{-0.009} _{-0.025}	52	42	42	7.5	5	8.5	6	4.5	8.0	4	M3	16	£62.63	
FK12	12	27	10	17	29.5	36 ^{-0.009} _{-0.025}	54	44	44	7.5	5	8.5	6	4.5	8.0	4	M3	19	£64.79	
FK15	15	32	15	17	36.0	40 ^{-0.009} _{-0.025}	63	50	52	10.0	6	12.0	8	5.5	9.5	6	M3	22	£86.53	
FK20	20	52	22	30	50.0	57 ^{-0.010} _{-0.029}	85	70	68	8.0	10	12.0	14	6.6	11.0	10	M4	30	£108.09	
FK25	25	57	27	30	60.0	63 ^{-0.010} _{-0.029}	98	80	79	13.0	10	20.0	17	9.0	15.0	13	M5	35	£129.66	
FK30	30	62	30	32	61.0	75 ^{-0.010} _{-0.029}	117	95	93	11.0	12	17.0	18	11.0	17.5	15	M6	40	£172.93	

Features

- Do not disassemble the support unit.
- When inserting a screw shaft into the support unit, take care to prevent peeling the oil-seal lip.
- The bearing is filled with grease.
- After inserting the fixed side support unit, lock the lock nut using the set piece and hexagon socket head setscrew.

+44 (0)1246 455500
+44 (0)1246 455522

ondrives

sales@ondrives.com
www.ondrives.com

Product information updated 1st April 2011 and subject to change. Please contact Sales for the latest prices and availability.