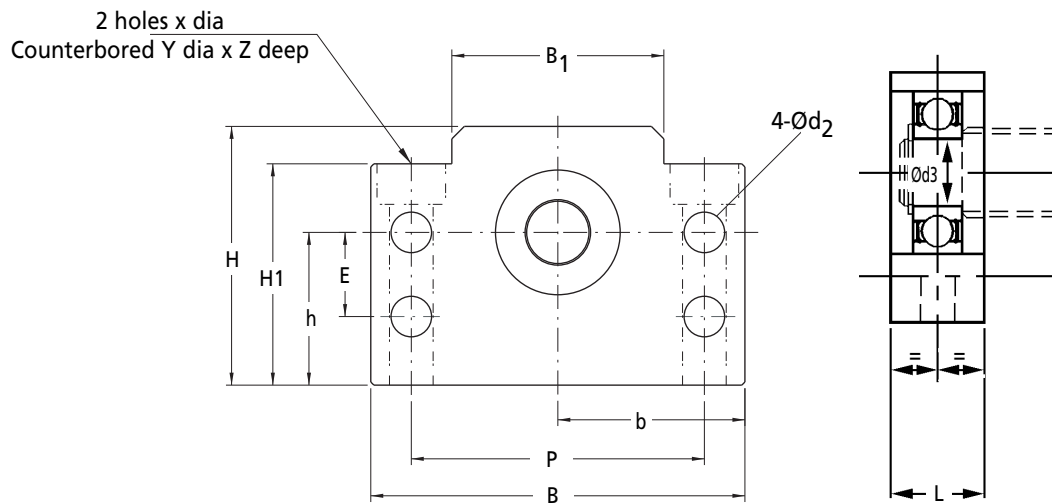
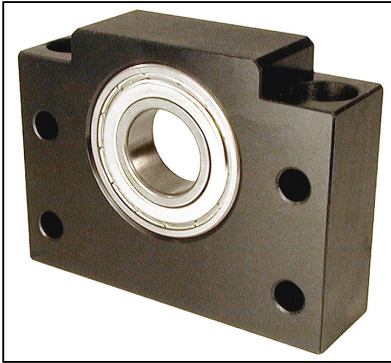


**BSB**

# LINEAR MOTION

## Ballscrew Bearing Units

Simple Support (Radial Bearing)



Part Number	Fixing Holes							Supported Bearing Unit	
	E	P	d2	X	Y	Z	d1	Bearing	L
BSB10	15	46	5.5	6.6	11.0	5.0	8	608ZZ	20
BSB12	18	46	5.5	6.6	11.0	1.5	10	6000ZZ	20
BSB15	18	54	5.5	6.6	11.0	6.5	15	6002ZZ	20
BSB17	28	68	6.6	9.0	14.0	8.5	17	6203ZZ	23
BSB20	22	70	6.6	9.0	14.0	8.5	20	6004ZZ	26
BSB25	33	85	9.0	11.0	17.5	11.0	25	6205ZZ	30
BSB30	33	102	11.0	14.0	20.0	13.0	30	6206ZZ	32
BSB40	37	130	14.0	18.0	26.0	17.5	40	6208ZZ	37

Part Number	Body Sizes				Datums		Price Each
	B	H	B1	H1	$\pm 0.02$ b	$\pm 0.02$ h	
BSB10	60	39	34	32.5	30	22	£58.33
BSB12	60	43	35	32.5	30	25	£64.37
BSB15	70	48	40	38.0	35	28	£71.64
BSB17	86	64	50	55.0	43	39	£79.34
BSB20	88	60	52	50.0	44	34	£86.82
BSB25	106	80	64	70.0	53	48	£89.27
BSB30	128	89	76	78.0	64	51	£105.50
BSB40	160	110	100	90.0	80	60	£137.57

### Material

Steel

Comes complete with : Bearing &amp; circlip (the same as the BK style design)

+44 (0)1246 455500

+44 (0)1246 455522

**ondrives**

sales@ondrives.com

www.ondrives.com

Product information updated 1st April 2011 and subject to change. Please contact Sales for the latest prices and availability.