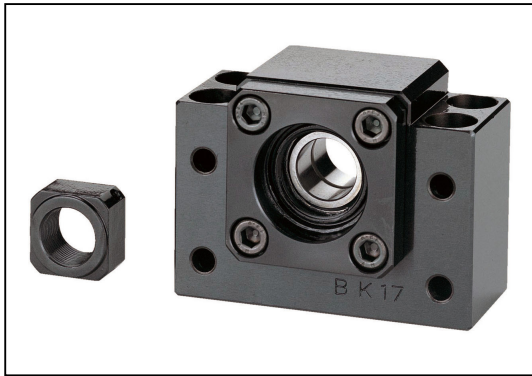


BK

LINEAR MOTION

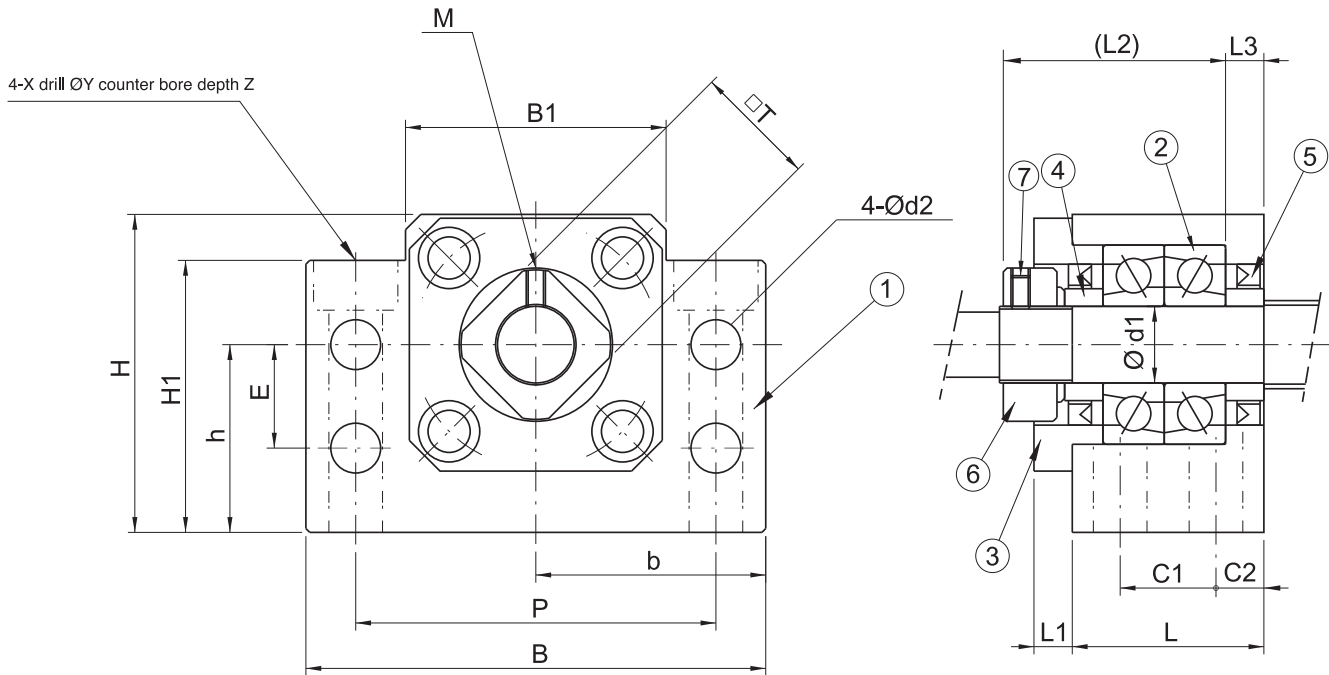
Support Unit

Fixed Side Rectangular Type



Assembly consists of

| Item No. | Part Name | Quantity |
|----------|---|----------|
| 1 | Housing | 1 |
| 2 | Bearing | 1 set |
| 3 | Holding Lid | 1 |
| 4 | Collar | 2 |
| 5 | Seal | 2 |
| 6 | Lock Nut | 1 set |
| 7 | Hexagon Socket Head Setscrew (with set piece) | 1 |

**Discounts: 3+ -5% 6+ -10%**

| Part Number | d1 | L | L1 | L2 | L3 | B | H | b ^{+0.02} | h ^{+0.02} | B1 | H1 | E | P | C1 | C2 | d2 | X | Y | Z | M | T | Price Each 1 - 2 |
|-------------|----|----|----|----|----|-----|-----|--------------------|--------------------|-----|------|----|-----|----|----|------|------|------|------|----|----|------------------|
| BK10 | 10 | 25 | 5 | 29 | 5 | 60 | 39 | 30 | 22 | 34 | 32.5 | 15 | 46 | 13 | 6 | 5.5 | 6.6 | 10.8 | 5.0 | M3 | 16 | £78.37 |
| BK12 | 12 | 25 | 5 | 29 | 5 | 60 | 43 | 30 | 25 | 35 | 32.5 | 18 | 46 | 13 | 6 | 5.5 | 6.6 | 10.8 | 1.5 | M3 | 19 | £81.10 |
| BK15 | 15 | 27 | 6 | 32 | 6 | 70 | 48 | 35 | 28 | 40 | 38.0 | 18 | 54 | 15 | 6 | 5.5 | 6.6 | 11.0 | 6.5 | M3 | 22 | £108.09 |
| BK17 | 17 | 35 | 9 | 44 | 7 | 86 | 64 | 43 | 39 | 50 | 55.0 | 28 | 68 | 19 | 8 | 6.6 | 9.0 | 14.0 | 8.5 | M4 | 24 | £135.09 |
| BK20 | 20 | 35 | 8 | 43 | 8 | 88 | 60 | 44 | 34 | 52 | 50.0 | 22 | 70 | 19 | 8 | 6.6 | 9.0 | 14.0 | 8.5 | M4 | 30 | £135.09 |
| BK25 | 25 | 42 | 12 | 54 | 9 | 106 | 80 | 53 | 48 | 64 | 70.0 | 33 | 85 | 22 | 10 | 9.0 | 11.0 | 17.5 | 11.0 | M5 | 35 | £162.23 |
| BK30 | 30 | 45 | 14 | 61 | 9 | 128 | 89 | 64 | 51 | 76 | 78.0 | 33 | 102 | 23 | 11 | 11.0 | 14.0 | 20.0 | 13.0 | M6 | 40 | £216.22 |
| BK35 | 35 | 50 | 14 | 67 | 12 | 140 | 96 | 70 | 52 | 88 | 79.0 | 35 | 114 | 26 | 12 | 11.0 | 14.0 | 20.0 | 13.0 | M8 | 50 | £243.21 |
| BK40 | 40 | 61 | 18 | 76 | 15 | 160 | 110 | 80 | 60 | 100 | 90.0 | 37 | 130 | 33 | 14 | 14.0 | 18.0 | 26.0 | 17.5 | M8 | 50 | £270.37 |

Features

- Do not disassemble the support unit.
- When inserting a screw shaft into the support unit, take care to prevent peeling the oil-seal lip.
- The bearing is filled with grease.
- After inserting the fixed side support unit, lock the lock nut using the set piece and hexagon socket head setscrew.

+44 (0)1246 455500
+44 (0)1246 455522

ondrives

sales@ondrives.com
www.ondrives.com

Product information updated 1st April 2011 and subject to change. Please contact Sales for the latest prices and availability.