

LINEAR MOTION

Support Units

Applicable Screw Shaft Diameters

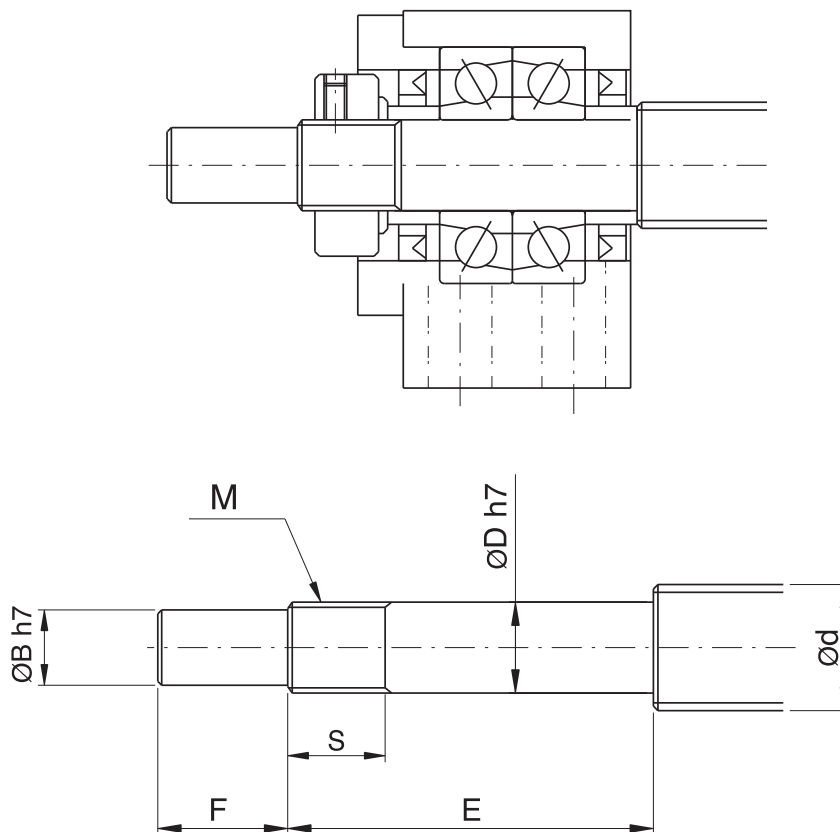
T
E
C
H
N
I
C
A
L

Fixed Side Support Unit ID (mm)	Fixed Side Support Unit Applicable Model	Supported Side Support Unit ID (mm)	Supported Side Support Unit Applicable Model	Applicable Screw Shaft OD (mm)
4	EK4	-	-	Ø4
	FK4			
5	EK5	-	-	Ø6
	FK5			
6	EK6	6	EF6	Ø8
	FK6		FF6	
8	EK8	6	EF8	Ø10
	FK8		FF8	
10	EK10	8	EF10	Ø10, Ø12, Ø14
	FK10		FF10	
	BK10		BF10	
12	EK12	12	EF12	Ø14, Ø15, Ø16
	FK12		FF12	
	BK12		BF12	
15	EK15	15	EF15	Ø20
	FK15		FF15	
	BK15		BF15	
17	BK17	17	BF17	Ø20, Ø25
20	EK20	20	EF20	Ø25, Ø28
	FK20		FF20	
	BK20		BF20	
25	FK25	25	FF25	Ø32, Ø36
	BK25		BF25	
30	FK30	30	FF30	Ø40, Ø45
	BK30		BF30	
35	BK35	35	BF35	Ø45
40	BK40	40	BF40	Ø50

LINEAR MOTION

Support Units (Fixed-Side)

Recommended Shaft End Shapes For - BK Support Units

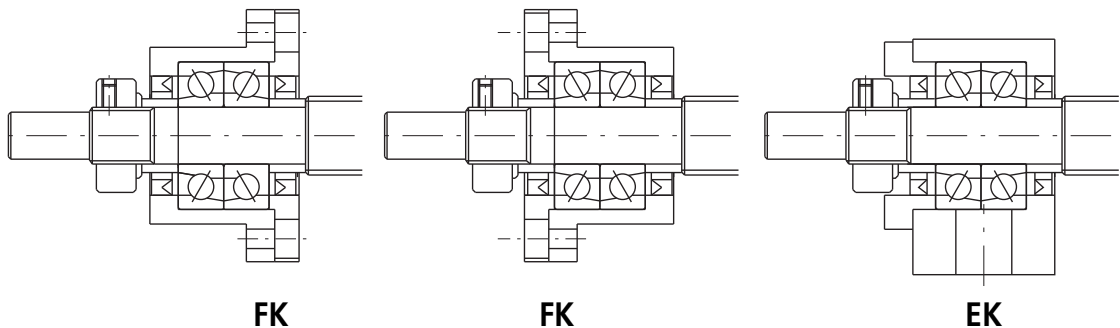
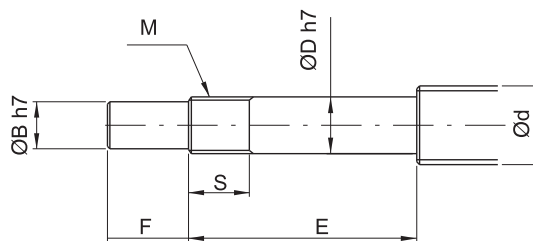


Part Number	Ball screw Shaft OD d	Shaft Support Portion OD D	B	E	F	Metric Screw Thread	
						M	S
BK10	14/15	10	8	39	15	M10*1	16
BK12	16/18	12	10	39	15	M12*1	14
BK15	20	15	12	40	20	M15*1	12
BK17	25	17	15	53	23	M17*1	17
BK20	28/30/32	20	17	53	25	M20*1	15
BK25	36	25	20	65	30	M25*1.5	18
BK30	40	30	25	72	38	M30*1.5	25
BK35	45	35	30	83	45	M35*1.5	28
BK40	50/55	40	35	98	50	M40*1.5	35

LINEAR MOTION

Support Units (Fixed-Side)

Recommended Shaft End Shapes For - FK & EK Support Units



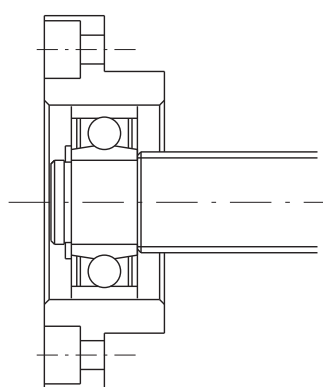
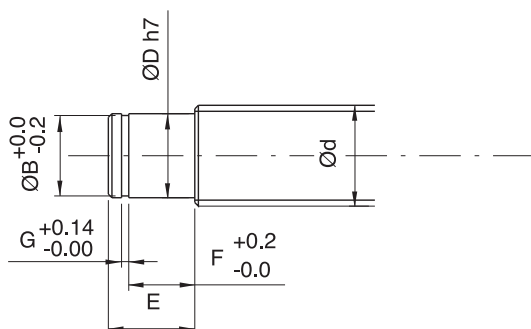
T
E
C
H
N
I
C
A
L

Part Number	Ballscrew Shaft OD d	Shaft Support Portion OD D	B	E	F	Metric Screw Thread	
						M	S
FK6 & EK6	8	6	4	30	8	M6*0.75	8
FK8 & EK8	12	8	6	35	9	M8*1	10
FK10 & EK10	14/15	10	8	36	15	M10*1	11
FK12 & EK12	16/18	12	10	36	15	M12*1	11
FK15 & EK15	20/25	15	12	49	20	M15*1	13
FK20 & EK20	28/30/32	20	17	64	25	M20*1	17
FK25	36	25	20	76	30	M25*1.5	20
FK30	40	30	25	72	38	M30*1.5	25

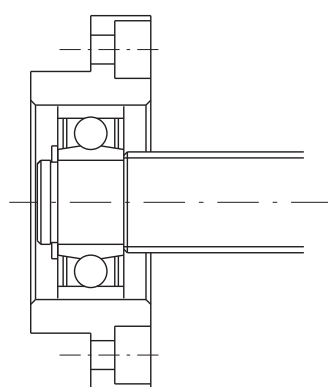
LINEAR MOTION

Support Units (Supported-Side)

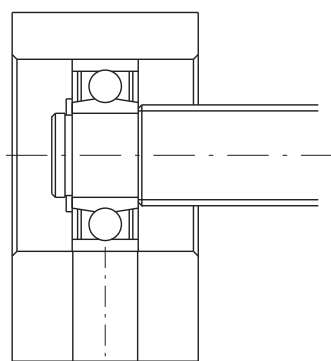
Recommended Shaft End Shapes For - FF, EF & BF Support Units



FF



FF



BF, EF

Part Number	Ballscrew Shaft OD d	Shaft Support Portion OD D	E	B	F	G
FF10 EF10 BF10	14/15	8	10	7.6	7.90	0.90
FF12 EF12 BF12	16/18	10	11	9.6	9.15	1.15
FF15 EF15 BF15	20/25	15	13	14.3	10.15	1.15
- - BF17	25	17	16	16.2	13.15	1.15
FF20 EF20 BF20	28/30/32	20	19(16 [†])	19.0	15.35(13.35 [†])	1.35
FF25 - BF25	36	25	20	23.9	16.35	1.35
FF30 - BF30	40	30	21	28.6	17.75	1.75
- - BF35	45	35	22	33.0	18.75	1.75
- - BF40	50/55	40	23	38.0	19.75	1.95

[†] Figures in brackets relate to the BF20 only

LINEAR MOTION