

**AK**

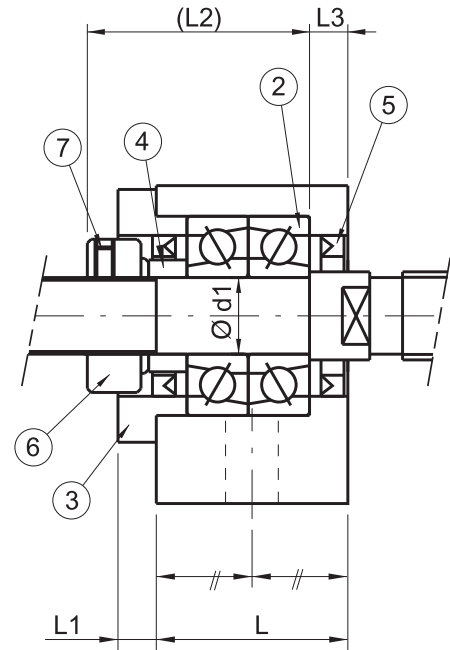
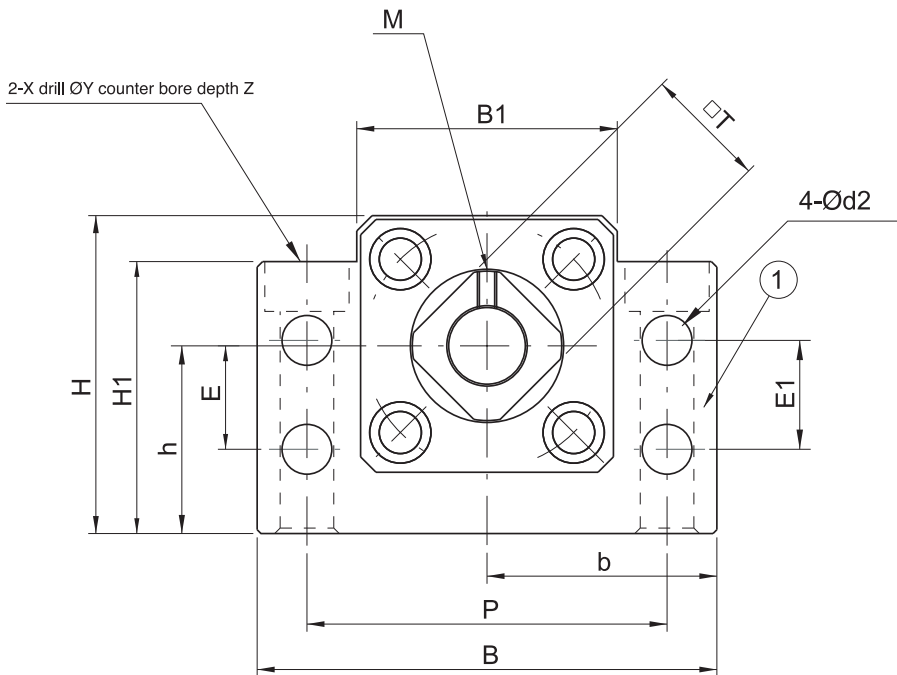
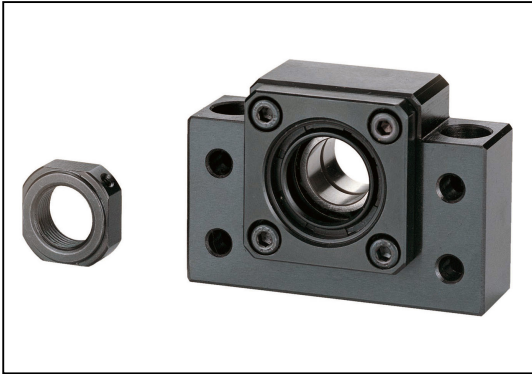
# LINEAR MOTION

## Support Unit

Fixed Side Rectangular Type

### Assembly consists of

Item No.	Part Name	Quantity
1	Housing	1
2	Bearing	1 set
3	Holding Lid	1
4	Collar	2
5	Seal	2
6	Lock Nut	1 set
7	Hexagon Socket Head Setscrew (with set piece)	1

**Discounts: 3+ -5% 6+ -10%**

Part Number	d1	L	L1	L2	L3	B	H	b <sup>+0.02</sup>	h <sup>+0.02</sup>	B1	H1	E1	P	d2	X	Y	Z	M	T	E	Price Each 1 - 2
AK10	10	24	6	29.5	6	70	43	35	25	36	35	19	52	6.5	09	14	11	M3	16	15	£78.37
AK12	12	24	6	29.5	6	70	43	35	25	36	35	19	52	6.5	09	14	11	M3	19	15	£81.10
AK15	15	24	6	36.0	5	80	50	40	30	41	40	19	60	6.5	11	17	15	M3	22	15	£108.09

### Features

- Do not disassemble the support unit.
- When inserting a screw shaft into the support unit, take care to prevent peeling the oil-seal lip.
- The bearing is filled with grease.
- After inserting the fixed side support unit, lock the lock nut using the set piece and hexagon socket head setscrew.

+44 (0)1246 455500  
+44 (0)1246 455522

**ondrives**

sales@ondrives.com  
www.ondrives.com

Product information updated 1st April 2011 and subject to change. Please contact Sales for the latest prices and availability.