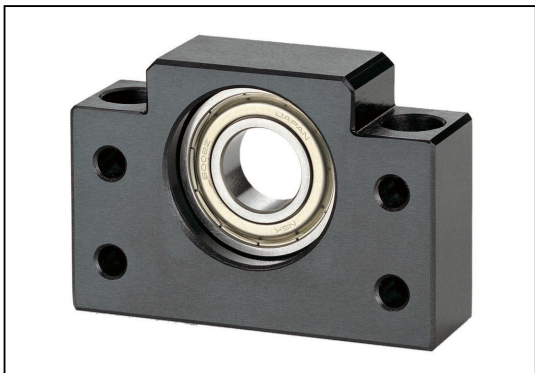


LINEAR MOTION

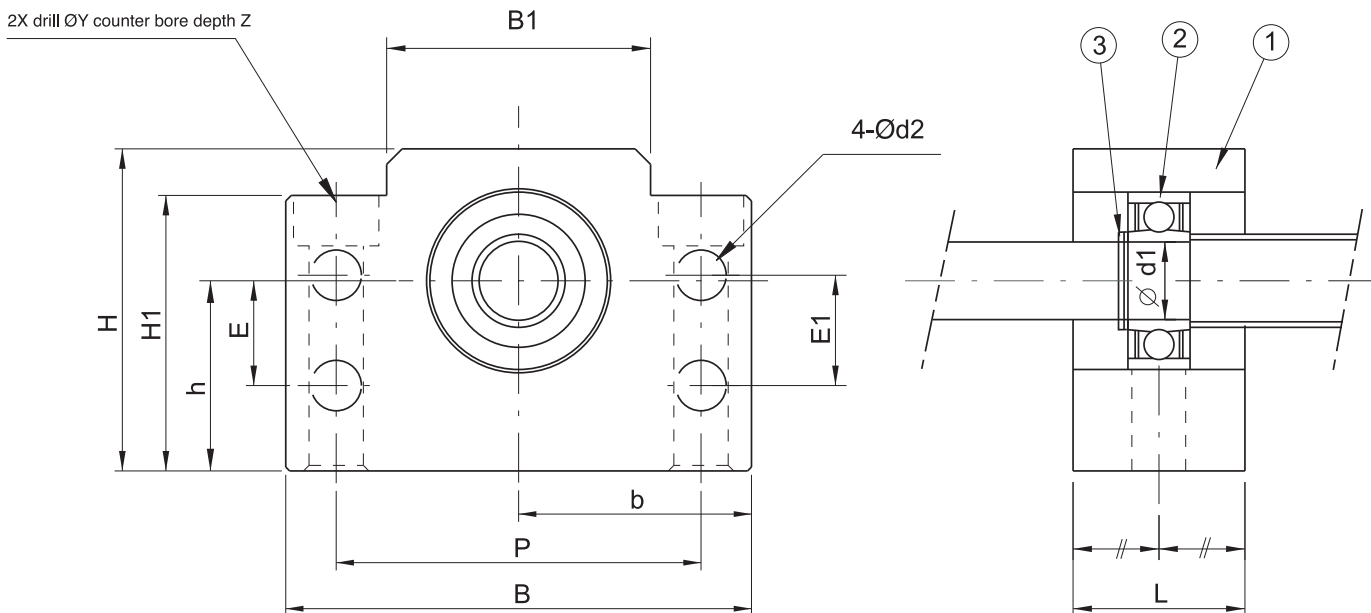
AFSU

Support Unit Supported Side Rectangular Type



Assembly consists of

Item No.	Part Name	Quantity
1	Housing	1
2	Bearing	1 set
3	Snap Ring	1



Discounts: 3+ -5% 6+ -10%

Part Number	Shaft Dia. d1	L	B	H	b ^{+0.02}	h ^{+0.02}	B1	H1	E	P	d2	X	Y	Z	Bearing	Snap Ring	Price Each 1 - 2
AFSU10	8	20	70	43	35	25	36	35	19	52	6.5	9	14	11	608ZZ	S 08	£36.72
AFSU12	10	20	70	43	35	25	36	35	19	52	6.5	9	14	11	6000ZZ	S 10	£37.80
AFSU15	15	20	80	49	40	30	41	40	19	60	6.5	9	14	11	6002ZZ	S 15	£39.99

Note: Minimum order value, for ALL support units in this range, is £500 when goods not in stock. A further range of support units is also available, suitable for use with C7 to C10 grade ballscrews. Please contact sales for further information.

+44 (0)1246 455500
+44 (0)1246 455522

ondrives

sales@ondrives.com
www.ondrives.com

Product information updated 1st April 2011 and subject to change. Please contact Sales for the latest prices and availability.