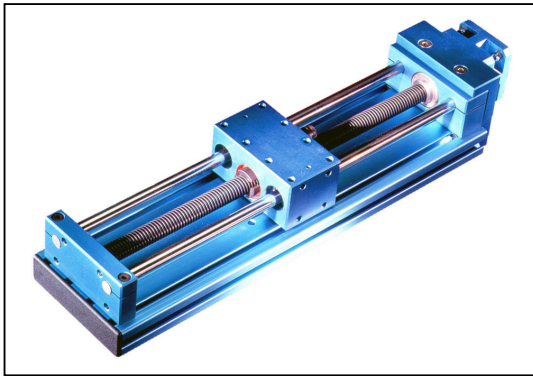


# LINEAR MOTION

**LAL7**

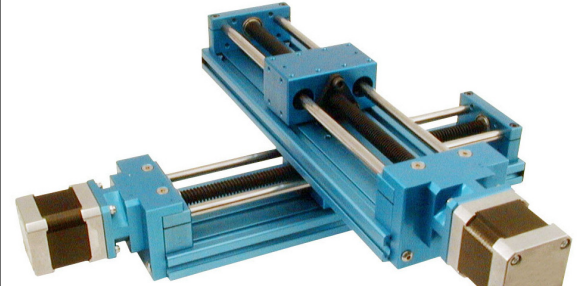
## Leadscrew Actuator

Light Duty : 2 - 12mm Lead, 190mm Stroke

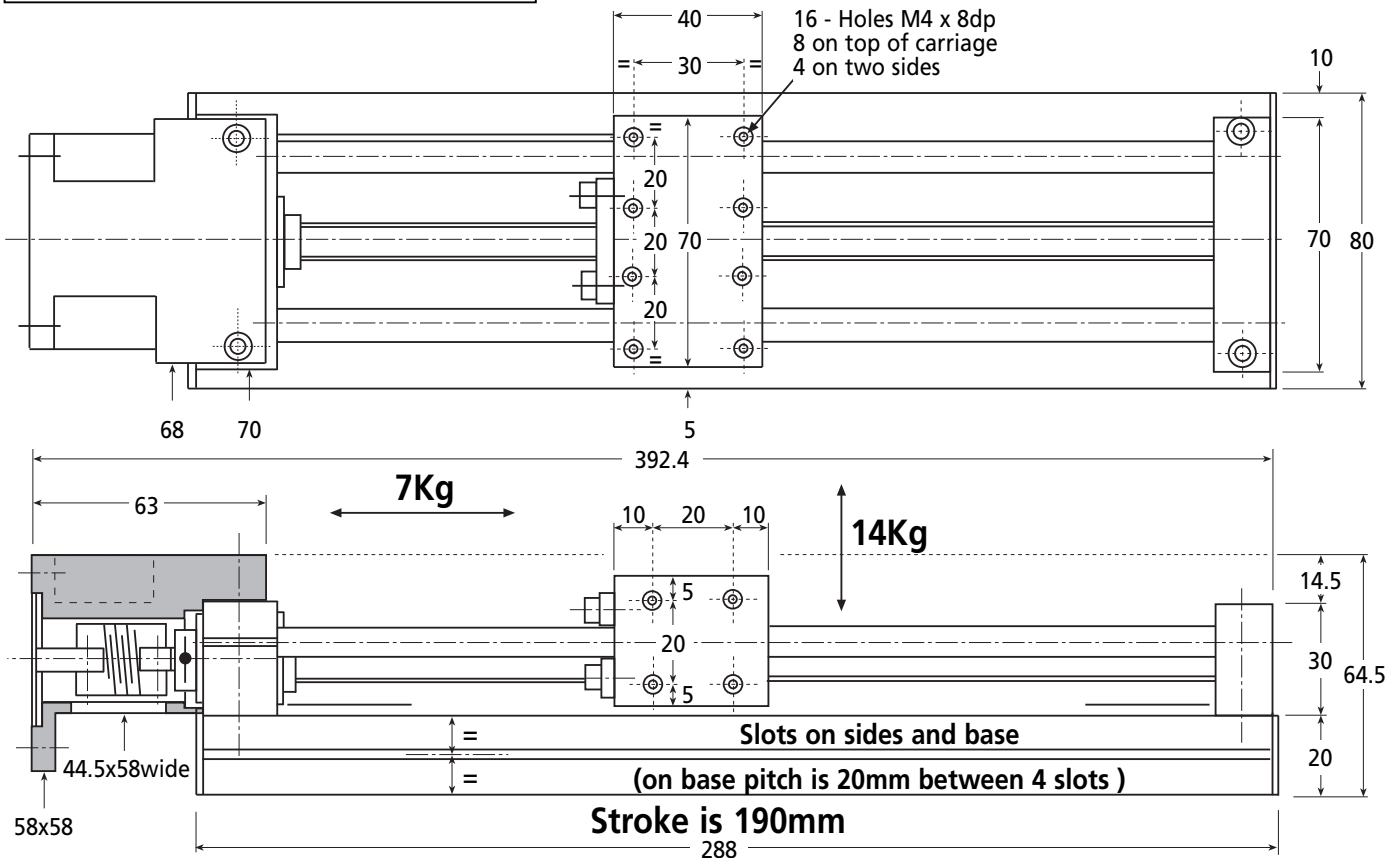


Note: Motors shown right are for illustration purposes only and are not supplied with the LAL7 unit.

### Application Example:



**LAL7 Stepper Actuator (compound)**



**Discounts: 6+ -10% 20+ -20%**

Part Number	Lead (Travel per rev. of leadscrew)	Movement per motor step (200 steps/rev)	Max. recommended rpm of screw	Price Each 1 - 5
LAL7-02-STB	2	0.010	3000rpm (100mm/sec)	£488.11
LAL7-03-STB	3	0.015	2000rpm (100mm/sec)	£488.11
LAL7-05-STB	5	0.025	1200rpm (100mm/sec)	£488.11
LAL7-06-STB	6	0.030	1000rpm (100mm/sec)	£488.11
LAL7-10-STB	10	0.050	600rpm (100mm/sec)	£488.11
LAL7-12-STB	12	0.060	1250rpm (250mm/sec)	£488.11

### Material

**Screw:** Stainless TFE coated with anti-backlash self-lubricating nut  
**Shaft:** Steel with (adjustable) bearings  
**Base Plate and Support Blocks:** Aluminium. NEMA size 23 motor mounting

### Performance

**Ambient Temperature Range:** -12°C to +40°C **Unit Weight:** 1.84Kg

### Accessories

**T-Slot Nuts to fit on rails on side and bottom of base:**  
M4 = MBTM4 £1.77 : M5 = MBTM5 £2.76

### Features

- 190mm standard travel, 120mm max. travel (stroke) with bellows fitted extra (POA)
- 0.072/120mm lead accuracy of screw 0.006mm/mm (accuracy of screw only, accuracy of assembly will be different when controlled through a stepper motor)
- 0.0013mm screw position repeatability
- **Max carriage load:** 14kg (horizontal)  
7kg (vertical)
- 8mm linear shafts with adjustable linear bearings recirculating ball design

+44 (0)1246 455500  
+44 (0)1246 455522

**ondrives**

sales@ondrives.com  
www.ondrives.com

Product information updated 1st April 2011 and subject to change. Please contact Sales for the latest prices and availability.