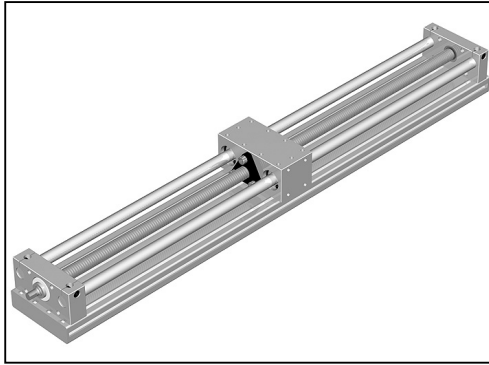


LA8

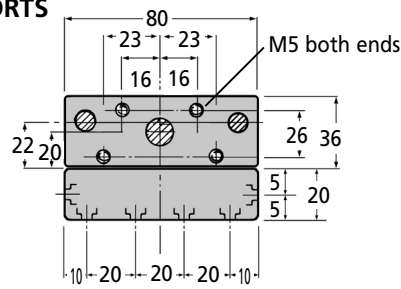
LINEAR MOTION

Leadscrew Actuator

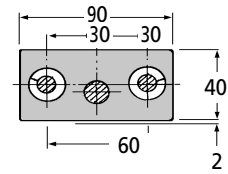
Medium Duty : 2.5 - 25mm Lead, 485mm Stroke



END SUPPORTS

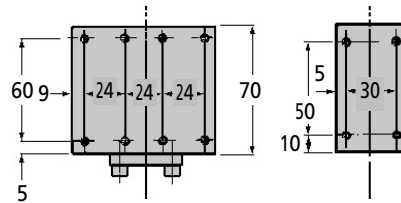


CLEARANCE TRAVELLING CARRIAGE

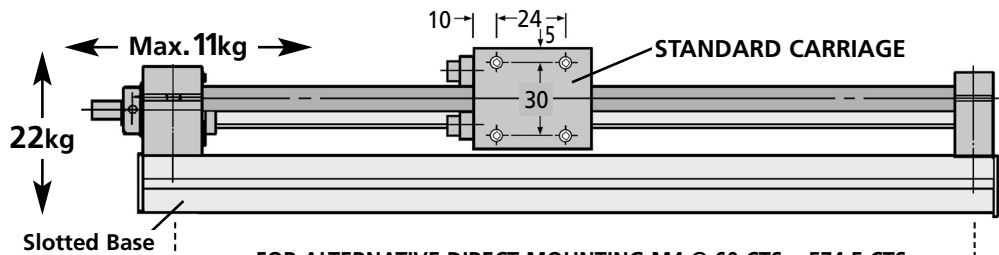
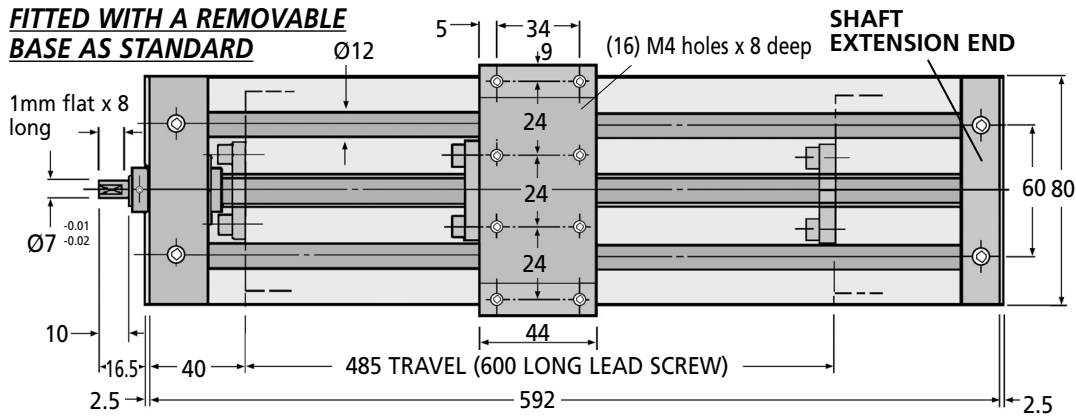


LA8c Type (Optional Design)

Max Travel is 459mm. £802.34



FITTED WITH A REMOVABLE BASE AS STANDARD



FOR ALTERNATIVE DIRECT MOUNTING M4 @ 60 CTS x 574.5 CTS

Discounts: 6+ -5% 20+ -10%

Part Number	Lead (Travel per rev. of leadscrew)	Max. Travel	Max. Speed mm/s	Price Each 1 - 5
LA8-60002	2.5	485	100	£687.38
LA8-60004	4.0	485	100	£687.38
LA8-60005	5.0	485	100	£687.38
LA8-60010	10.0	485	100	£687.38
LA8-60025	25.0	485	760	£687.38
MBTM4		M4 Slot Nut for Slotted Base		£1.77
MBTM5		M5 Slot Nut for Slotted Base		£2.76

Material

ZBX Leadscrew: Teflon coated Stainless Steel. **Anti-Backlash Nut:** Self-lubricating Polyacetal. **Base, Carriage & Rail Supports:** Anodised Aluminium. **Shafts & Bearings:** Hardened Steel.

Performance

Weight: 3kg **Screw Position Repeatability:** 0.0013mm **Lead Accuracy:** 0.0006mm/mm. Anti-Backlash. Base compatible with our Modular construction range (MB8020). Flexible Couplings available.

+44 (0)1246 455500
+44 (0)1246 455522

ondrives

sales@ondrives.com
www.ondrives.com

Product information updated 1st April 2011 and subject to change. Please contact Sales for the latest prices and availability.