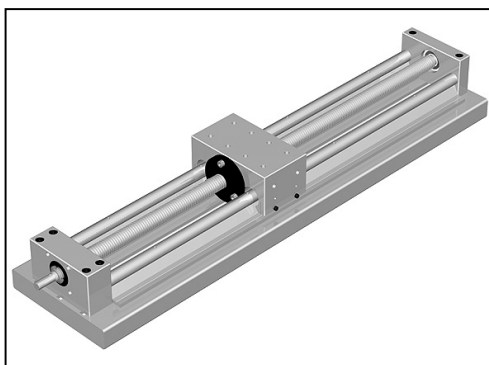


LINEAR MOTION

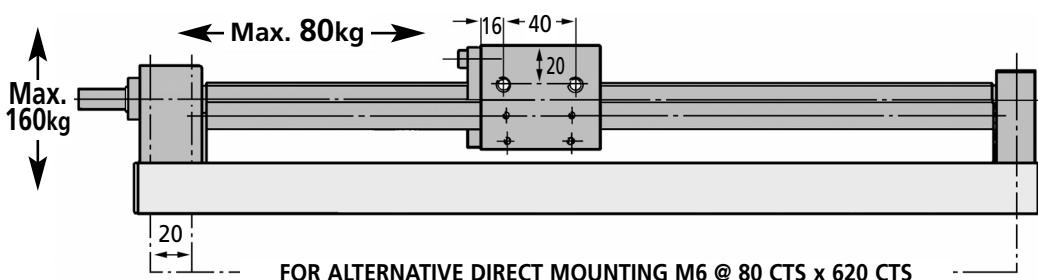
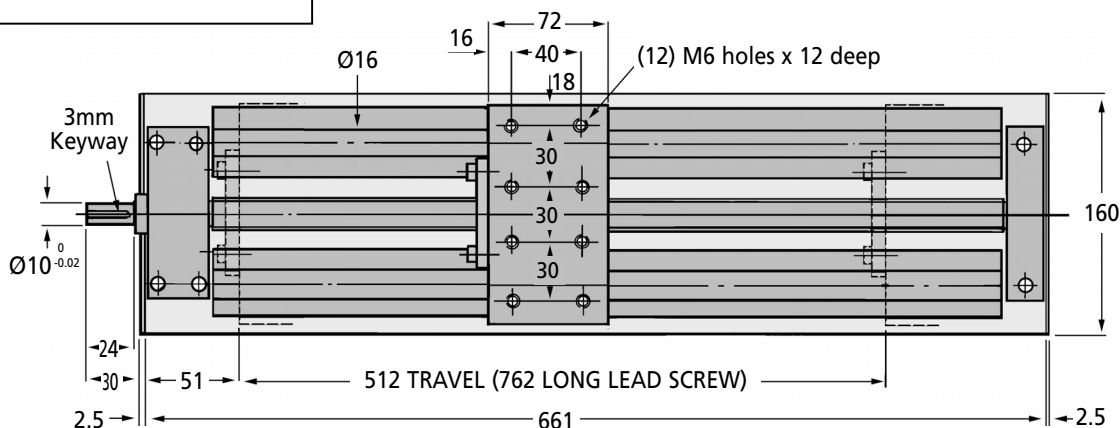
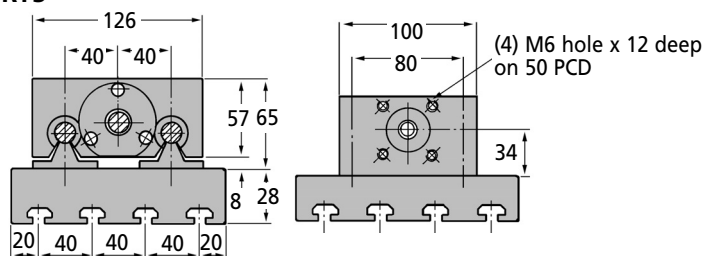
LA12V

Leadscrew Actuator

High Load Duty : 2.5 - 50mm Lead, 512mm Stroke



END SUPPORTS



Discounts: 6+ -10% 20+ -20%

Part Number	Lead (Travel per rev. of leadscrew)	Max. Travel	Max. Speed mm/s	Price Each 1 - 5
LA12V-76202	2.5	512	100	£1007.17
LA12V-76205	5.0	512	100	£1007.17
LA12V-76210	10.0	512	100	£1007.17
LA12V-76215	15.0	512	250	£1007.17
LA12V-76219	19.0	512	250	£1007.17
LA12V-76224	24.0	512	250	£1007.17
LA12V-76250	50.0	512	760	£1007.17
LA12V-TNUT		M6 Slot Nut for Slotted Base		£4.34

Material

VHD Leadscrew: Teflon coated Stainless Steel **Anti-Backlash Nut:** Self-lubricating Polyacetal Base
Carriage & Rail Supports: Aluminium **Shafts & Bearings:** Hardened Steel

Performance

Weight: 12kg **Screw Position Repeatability:** 0.0013mm **Lead Accuracy:** 0.0006mm/mm.
 Anti-Backlash. Base compatible with our Modular construction range (MB8020). Flexible Couplings available.

+44 (0)1246 455500
 +44 (0)1246 455522

ondrives

sales@ondrives.com
 www.ondrives.com

Product information updated 1st April 2011 and subject to change. Please contact Sales for the latest prices and availability.