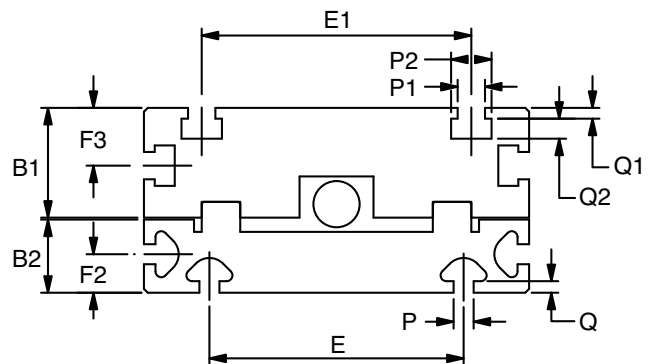
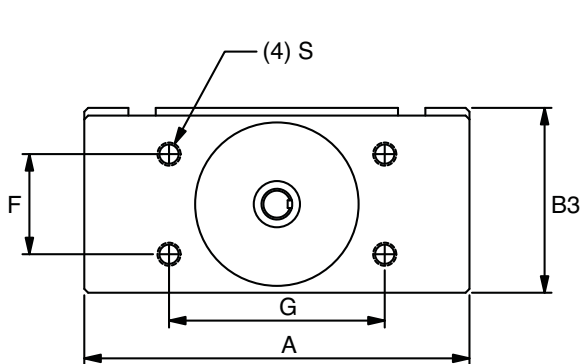
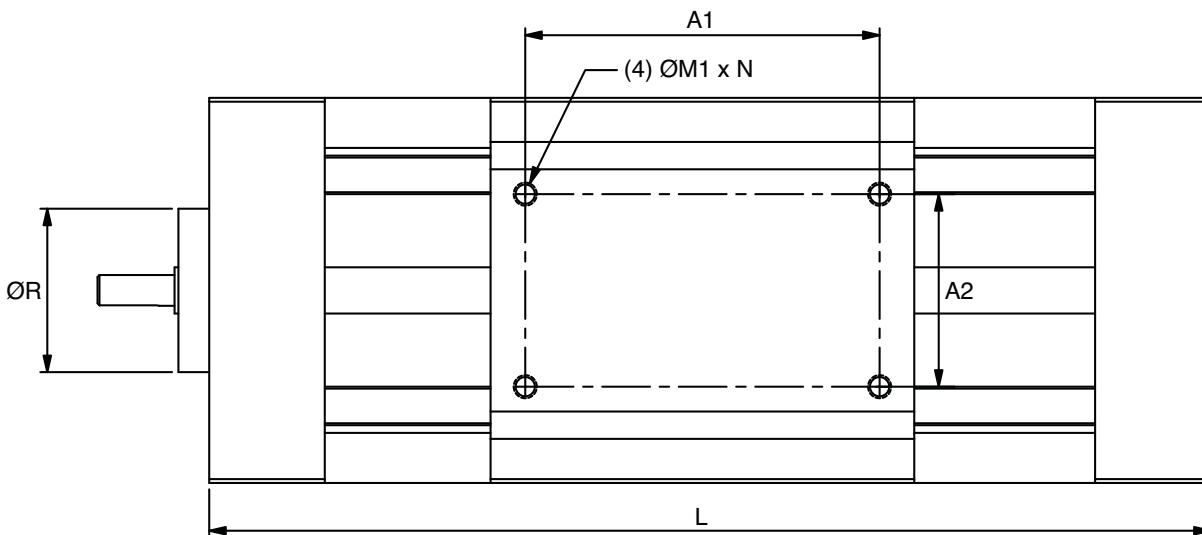
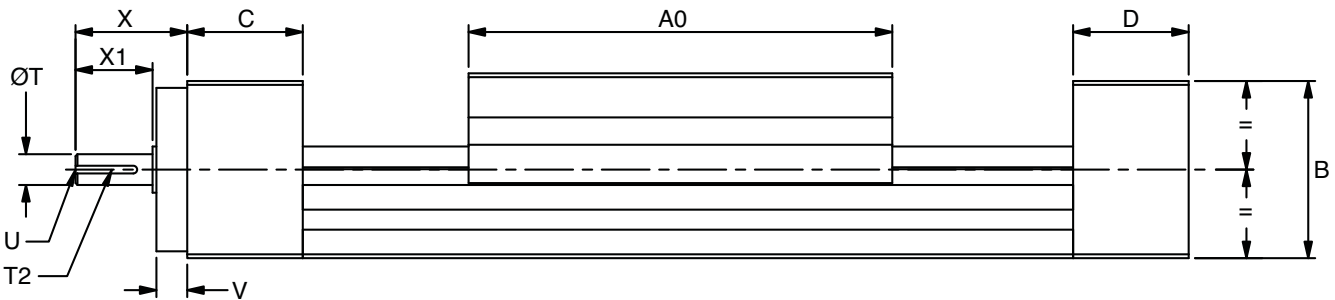


KVP

LINEAR MOTION

Ball Screw Drives High Strength



Part Number	Price Each 100mm Stroke	Price Each 200mm Stroke	Price Each 300mm Stroke	Price Each 400mm Stroke	Price Each 500mm Stroke	Price Each 600mm Stroke	Price Each 700mm Stroke	Price Each 800mm Stroke	Price Each 900mm Stroke	Price Each 1000mm Stroke
KVP100	£1802.39	£1828.72	£1923.16	£2016.08	£2110.53	£2205.00	£2299.45	£2393.90	-	-
KVP140	£2071.81	£2183.30	£2293.25	£2403.20	£2514.69	£2624.00	£2734.56	£2846.05	£2956.00	£3067.49
KVP165	-	-	-	-	£2873.93	£2990.05	£3107.74	£3225.42	£3343.11	£3460.78
KVP230	-	-	-	-	-	£4227.27	£4385.24	£4544.71	£4704.21	£4862.16

+44 (0)1246 455500
+44 (0)1246 455522

ondrives

sales@ondrives.com
www.ondrives.com

Product information updated 1st April 2011 and subject to change. Please contact Sales for the latest prices and availability.

LINEAR MOTION

KVP

Ball Screw Drives

High Strength

Technical Criteria	Part Number			
	KVP100	KVP140	KVP165	KVP230
Size of the profile rails	12	15	20	25
Ball screw (VB)	12 x 4	16 x 5 or 16 x 20	20 x 5 or 20 x 20	20 x 10 or 25 x 25
Trapezoidal screw (TR)	16 x 4	22 x 5	24 x 5	28 x 5
A0 / A	110 / 100	140	165	230
A1	92	116	140	200
A2	50	72	90	110
B	46	60	72	82
B1	28.5	39.5	43.5	48.5
B2	19	25	32	35
B3	48	65	76	84
C	30	40	45	45
D	30	40	45	45
E	66	92	108	164
E1	70	102	120	164
F	26	35	42	62
F2	10	12.5	15	17
F3	15	21	21	17
G	50	65	80	62
L Without bellows	Stroke + 170	Stroke + 220	Stroke + 255	Stroke + 320
L With bellows*	c x 1.7 + 210	c x 1.5 + 260	c x 1.45 + 295	c x 1.4 + 360
M1	M6	M8	M8	M10
N	10	16	18	18
P	5.2	6.2	8.2	10.2
P1	7.1	8.2	8.5	10.5
P2	10.5	15.5	15.5	18.5
Q	3	3.5	4	6
Q1	2.8	3.5	4	6
Q2	5.2	7	7	10
R h7	45	53	66	67
S	M6	M6	M8	M8
T h7	8	10	12	15
T2	2 x 2	3 x 3	4 x 4	5 x 5
U	M3	M4	M5	M5
V	8	9	9	12
X	30	35	40	45
X1	20	25	30	32
Load capacity (4 profile rails) - C (N)	6,800	12,600	18,900	28,200
Load capacity (4 profile rails) - Co (N)	8,000	16,800	24,400	34,700
Total weight (Kg)	L x 0.005 + 1.9	L x 0.008 + 4.4	L x 0.013 + 6.6	L x 0.028 + 13.9
Weight of carriage (Kg)	0.74	2.2	3.25	5.8

c = stroke (mm) L = Total length (mm)

*For further information on the total length with bellows please contact sales.

Material

Extruded anodised aluminium

Ordering Information

e.g. KVP140 - 400

Type

Stroke

Features

- High strength table
- Double profile rail guide with 4 carriages
- Ball screw or trapezoidal screw drive
- Fixed bearing side with integrated double row angular ball bearing
- Carriage with 4 T-slots

+44 (0)1246 455500

+44 (0)1246 455522

ondrives

sales@ondrives.com

www.ondrives.com

Product information updated 1st April 2011 and subject to change. Please contact Sales for the latest prices and availability.