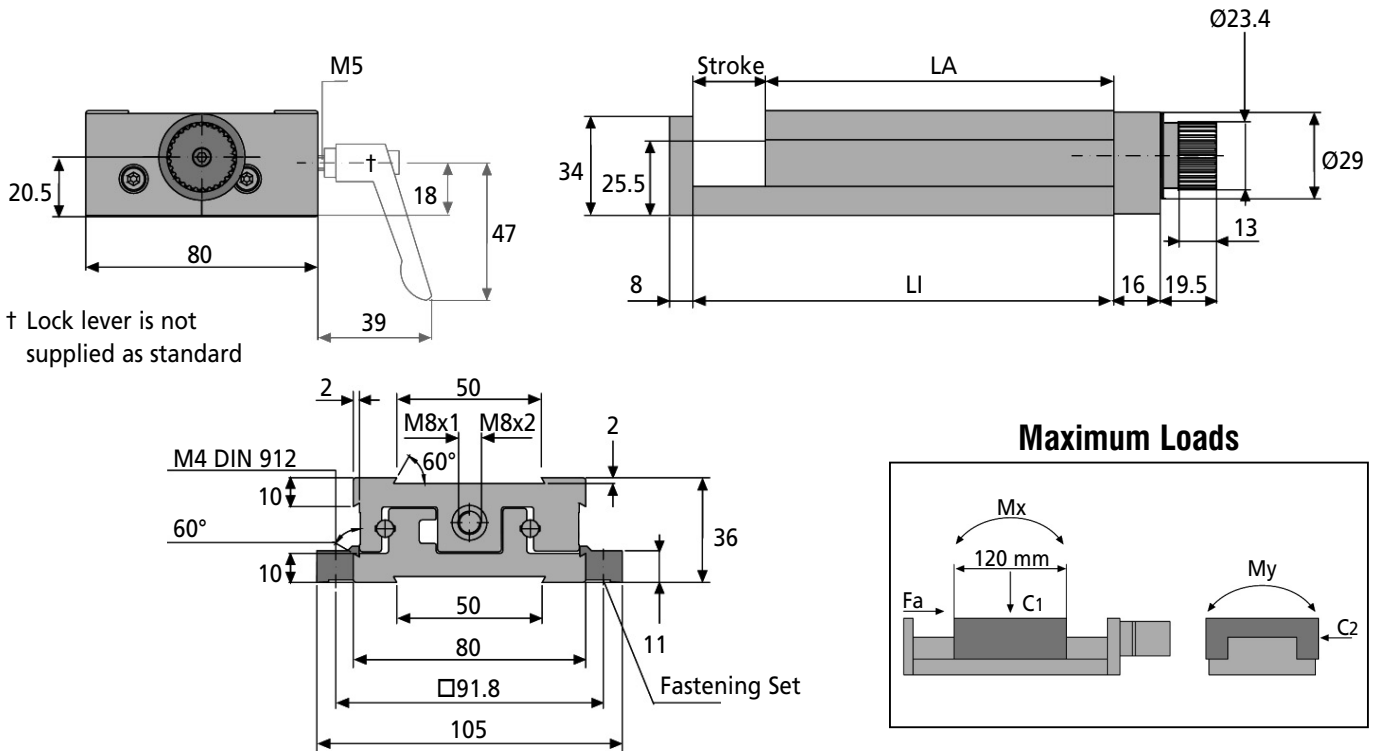
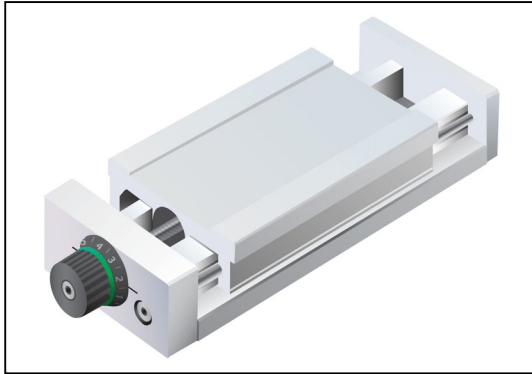


# LINEAR MOTION

**DOMI-80**

## Adjustable Slide System

Slide Unit : 1mm Lead, 25 - 100mm Stroke



Part Number	LA	LI	Stroke	Leadscrew Pitch (mm)	C1 N	C2 N	Maximum Loads			Price Each	
							Fa N	Mx Nm	My Nm		
DOMI-80-25	120	145	25	1	500	365	150	8	10	6	£362.61
DOMI-80-50	120	170	50	1	500	365	150	8	10	6	£368.46
DOMI-80-75	120	195	75	1	500	365	150	8	10	6	£378.19
DOMI-80-100	120	220	100	1	500	365	150	8	10	6	£386.00

### Material

**Base and Slide:** Alloy Extrusion

**Leadscrew:** Steel

**Guide Rails:** Hardened and Ground Steel

### Other Info.

Other options/accessories are available on request. Please contact sales for further details.

### Features

- Easy motor assembly
- Vernier adjustment
- High load ratings
- Favourable friction values
- High quality slideways
- Low-play drive
- Fine adjustment 0.05mm
- Standardised axis lengths
- Will meet any individual requirement as any axis configuration is possible. eg: X-Y, X-Z, X-Y-Z, etc.

+44 (0)1246 455500  
+44 (0)1246 455522

**ondrives**

sales@ondrives.com  
www.ondrives.com

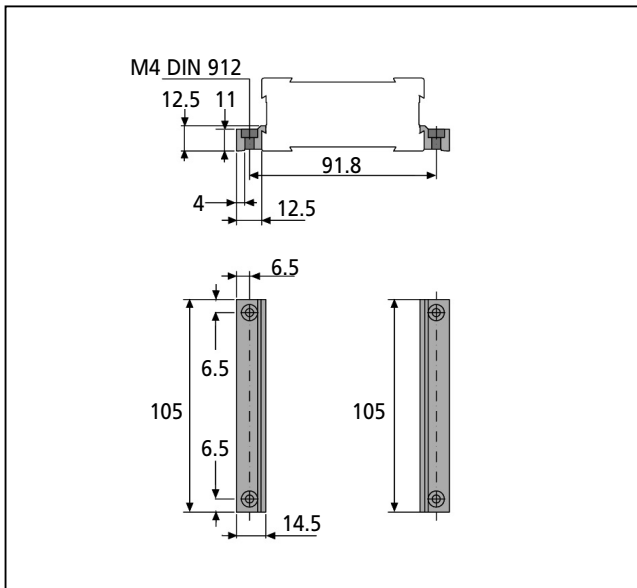
Product information updated 1st April 2011 and subject to change. Please contact Sales for the latest prices and availability.

# LINEAR MOTION

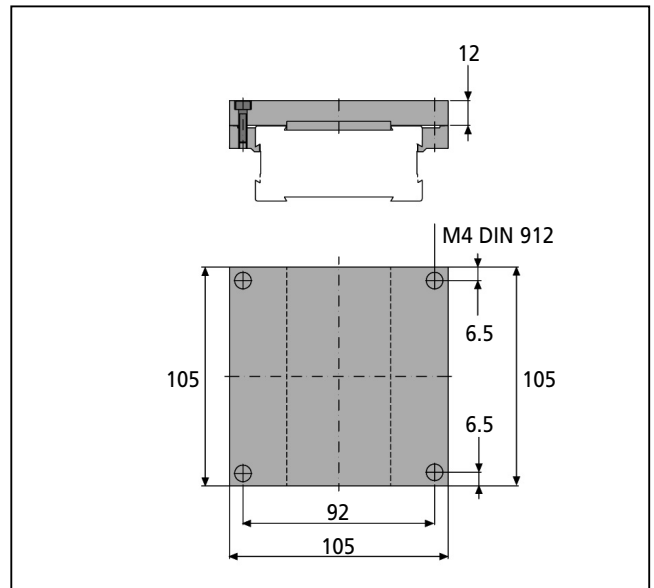
## Adjustable Slide System

### Accessories

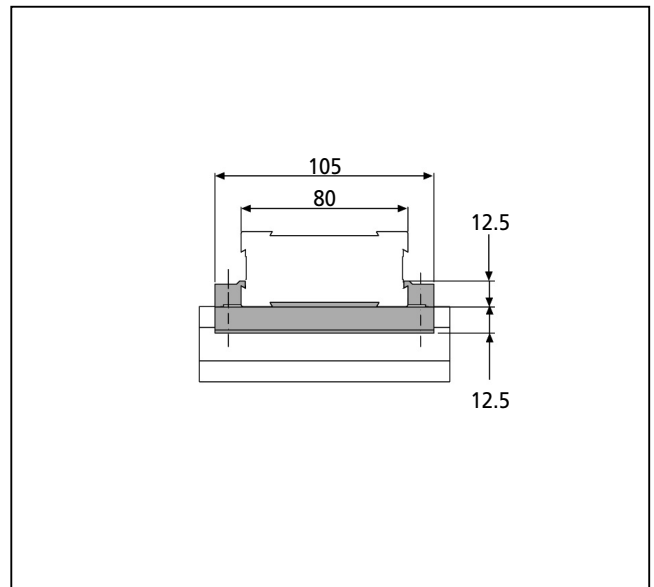
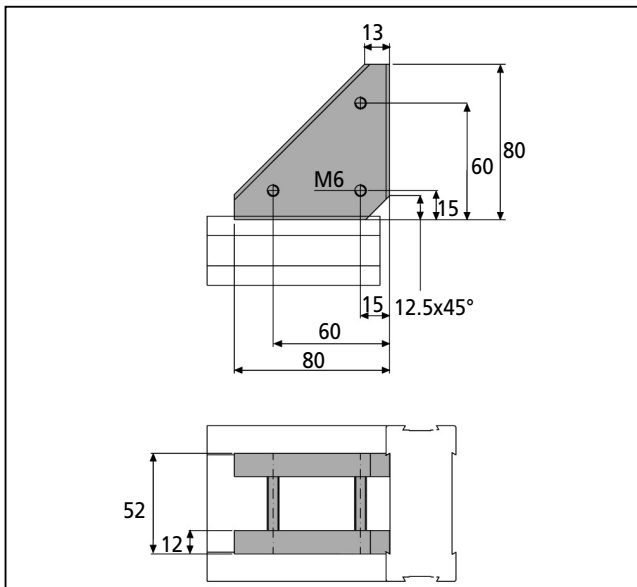
**DOMI-80**



**X-Z Connecting Set**



**X-Y Connecting Set**



Part Number	Accessories	Price Each
DOMI-80-B	Fastening Set	£19.43
DOMI-80-M	Mounting Plate	£58.44
DOMI-80-XY	X-Y Connecting Set	£48.69
DOMI-80-XZ	X-Z Connecting Set	£58.44
DOMI-80-LEVER	Lock Lever for Slide Unit	£25.31