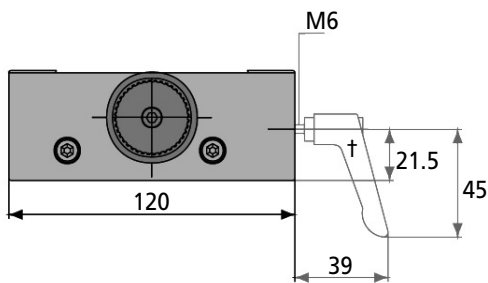
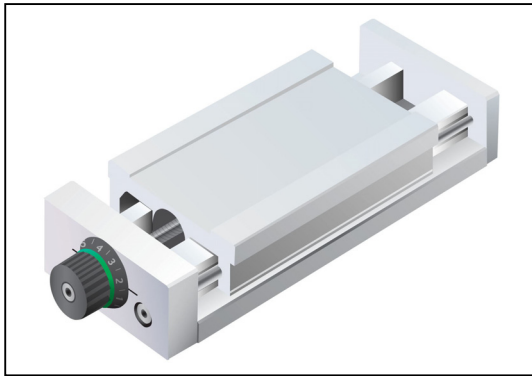


# LINEAR MOTION

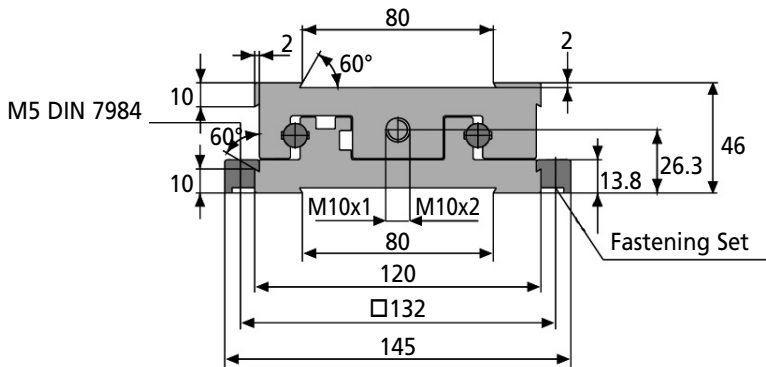
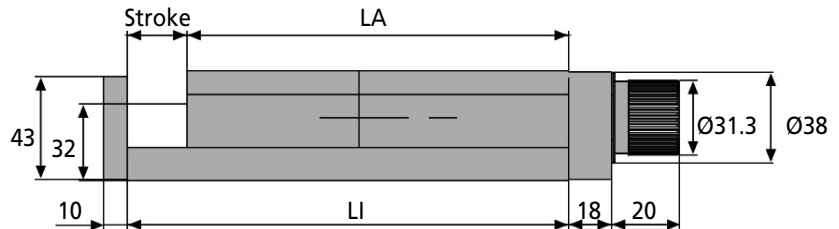
**DOMI-120**

## Adjustable Slide System

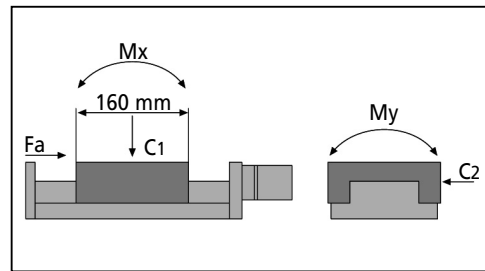
Slide Unit : 1mm Lead, 25 - 100mm Stroke



† Lock lever is not supplied as standard



### Maximum Loads



Part Number	LA	LI	Stroke	Leadscrew Pitch (mm)	C1 N	C2 N	Maximum Loads			Mz Nm	Price Each
							Fa N	Mx Nm	My Nm		
DOMI-120-25	160	185	25	1	1000	700	300	15	20	12	£509.36
DOMI-120-50	160	210	50	1	1000	700	300	15	20	12	£520.33
DOMI-120-75	160	235	75	1	1000	700	300	15	20	12	£529.29
DOMI-120-100	160	260	100	1	1000	700	300	15	20	12	£539.28

### Material

**Base and Slide:** Alloy Extrusion

**Leadscrew:** Steel

**Guide Rails:** Hardened and Ground Steel

### Other Info.

Other options/accessories are available on request. Please contact sales for further details.

### Features

- Easy motor assembly
- Vernier adjustment
- High load ratings
- Favourable friction values
- High quality slideways
- Low-play drive
- Fine adjustment 0.05mm
- Standardised axis lengths
- Will meet any individual requirement as any axis configuration is possible. eg: X-Y, X-Z, X-Y-Z, etc.

+44 (0)1246 455500  
+44 (0)1246 455522

**ondrives**

sales@ondrives.com  
www.ondrives.com

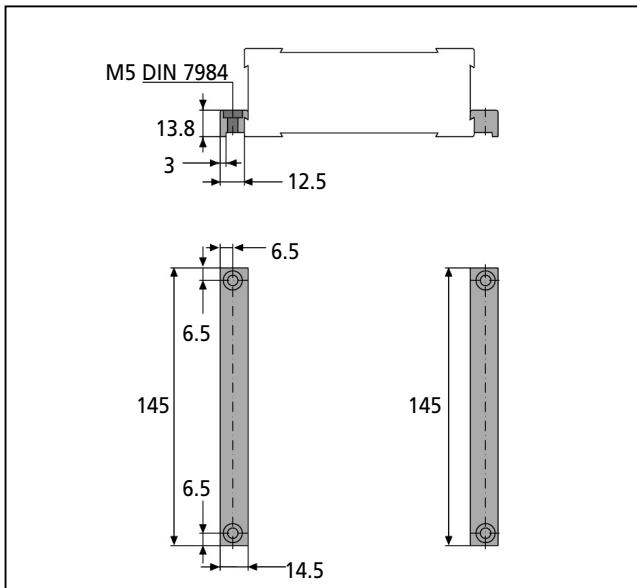
Product information updated 1st April 2011 and subject to change. Please contact Sales for the latest prices and availability.

# LINEAR MOTION

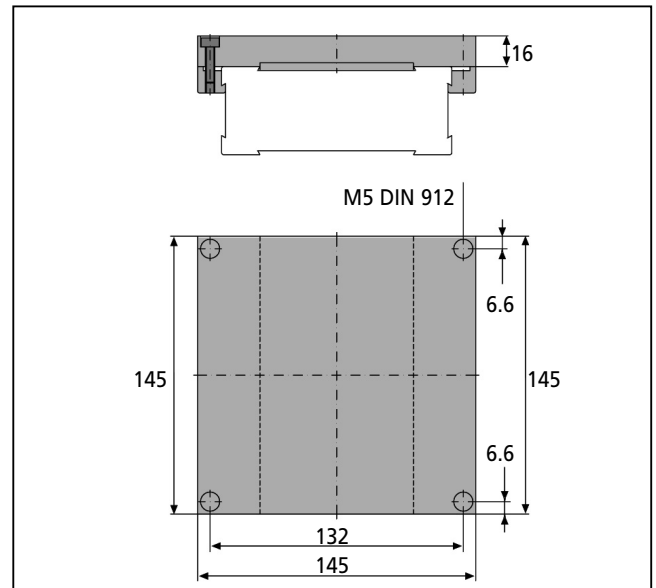
## Adjustable Slide System

### Accessories

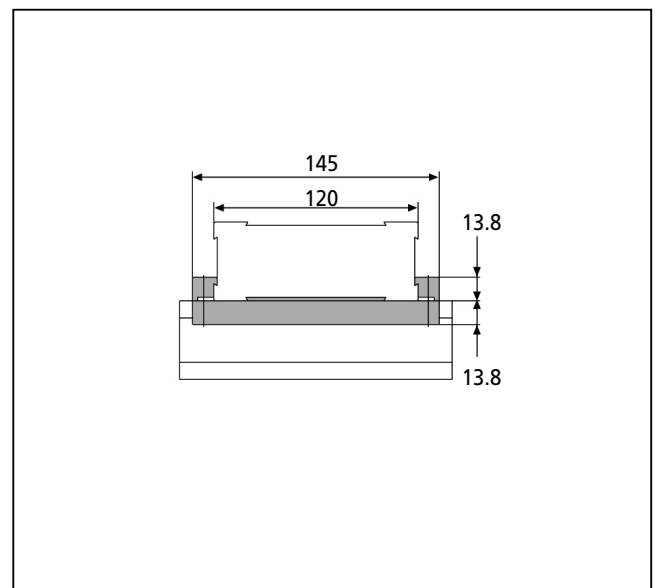
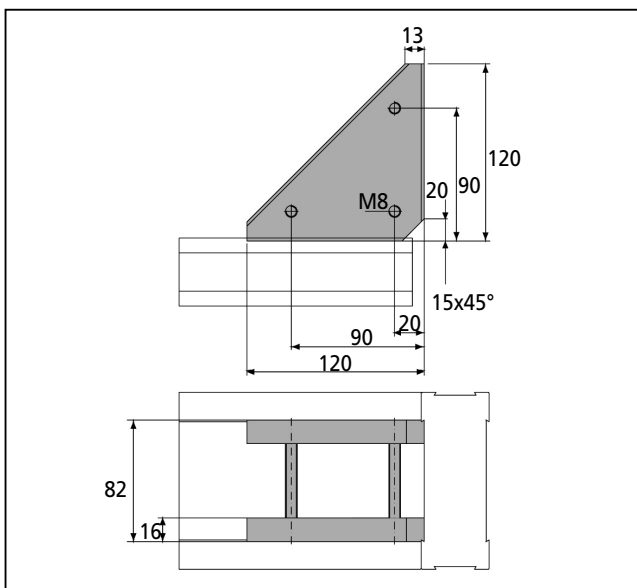
**DOMI-120**



**X-Z Connecting Set**



**X-Y Connecting Set**



Part Number	Accessories	Price Each
DOMI-120-B	Fastening Set	£23.35
DOMI-120-M	Mounting Plate	£87.70
DOMI-120-XY	X-Y Connecting Set	£66.28
DOMI-120-XZ	X-Z Connecting Set	£87.70
DOMI-120-LEVER	Lock Lever for Slide Unit	£25.31