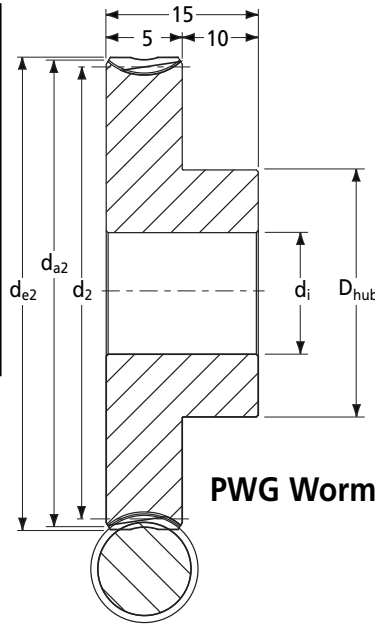
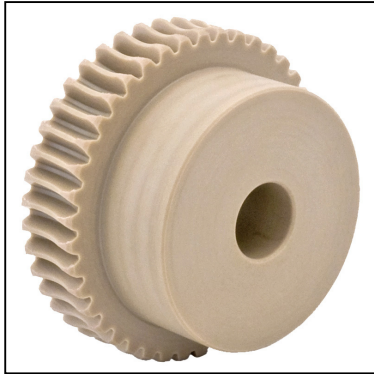


**PW PSW**  
**0.5m<sub>x</sub>**

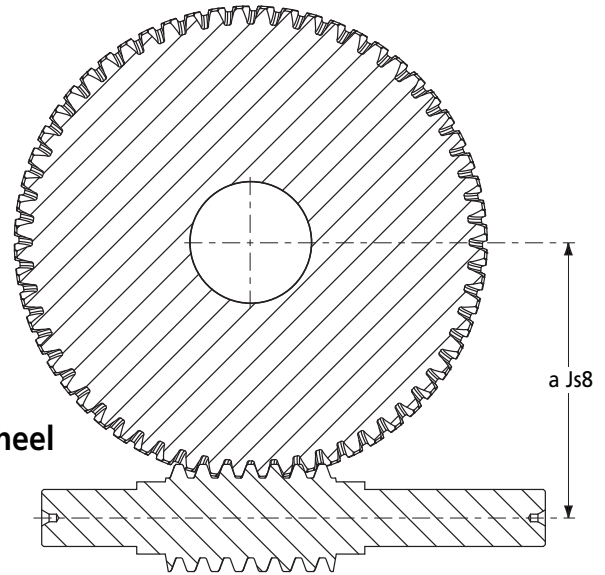
# PRECISION GEARS

**0.5 Module Plastic Worms & Wormwheels  $\alpha$  20° PA**

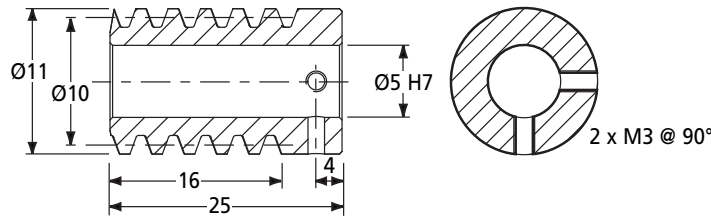
Quality Grade<sup>†</sup> Worm 7e DIN 3974/58405



**PWG Wormwheel**

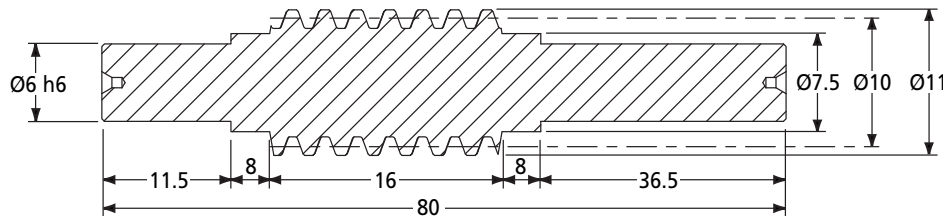


**PW Worm**



PEEK GF30®			Delrin POM			303 Stainless Steel		
Worm Part Number	No. of Starts $z_1$	Price Each 1 - 5	Worm Part Number	No. of Starts $z_1$	Price Each 1 - 5	Worm Part Number	No. of Starts $z_1$	Price Each 1 - 5
PW0.5-1PK	1	£66.93	PW0.5-1DL	1	£13.21	PW0.5-1S	1	£19.82
PW0.5-2PK	2	£70.30	PW0.5-2DL	2	£13.88	PW0.5-2S	2	£20.83
PW0.5-3PK	3	£73.92	PW0.5-3DL	3	£14.59	PW0.5-3S	3	£21.90
PW0.5-4PK	4	£78.20	PW0.5-4DL	4	£15.44	PW0.5-4S	4	£23.16

**PSW Worm Shaft**



PEEK GF30®			Delrin POM			303 Stainless Steel		
Worm Shaft Part Number	No. of Starts $z_1$	Price Each 1 - 5	Worm Shaft Part Number	No. of Starts $z_1$	Price Each 1 - 5	Worm Shaft Part Number	No. of Starts $z_1$	Price Each 1 - 5
PSW0.5-1PK	1	£118.54	PSW0.5-1DL	1	£23.41	PSW0.5-1S	1	£35.12
PSW0.5-2PK	2	£123.96	PSW0.5-2DL	2	£24.48	PSW0.5-2S	2	£36.72
PSW0.5-3PK	3	£129.36	PSW0.5-3DL	3	£25.54	PSW0.5-3S	3	£38.32
PSW0.5-4PK	4	£134.77	PSW0.5-4DL	4	£26.61	PSW0.5-4S	4	£39.93

<sup>†</sup>303 Stainless worms Quality Grade 6e DIN 3974/58405.

+44 (0)1246 455500  
+44 (0)1246 455522

**ondrives**

sales@ondrives.com  
www.ondrives.com

# PRECISION GEARS

**PWG-PK**  
**PWG-DL**  
**0.5m<sub>x</sub>**

## 0.5 Module Plastic Worms & Wormwheels α 20° PA

Quality Grade Wormwheel 8e DIN 3974/58405

Standard Part PWG 0.5 50 1 PK  
Modified Part PWG 0.5 50 3 DL 8 K T

PWG - Precision Worm Gear  
Quality Grade 8e DIN 3974/58405  
Other Quality Grades available.  
See page 296

m<sub>x</sub> Module - Cut with DIN 867 1.25/0.20/1.0  
Ref. Tooth Profile Topping WD = 2.25 x m<sub>x</sub>

Number of Teeth z<sub>2</sub>

Number of Starts (1, 2, 3 or 4) on Worm  
to be specified by customer

Ratio =  $\frac{(z_2) \text{ No. of teeth on wheel}}{(z_1) \text{ No. of starts on worm}}$

T = 1 x Tapped hole 2T = 2 x Tapped holes.  
P = 1 x Pin Hole PT = 1 x Pin Hole thru.  
All threads metric as standard,  
refer to page 308 for sizes  
For prices see page 308

K- Keyway supplied to  
DIN 6885 - Js9 tolerance.  
For prices see page 308

To specify different bore enter size required  
Example: 8 = 8mm H7 etc  
For prices see page 308

PK = PEEK GF30® (Light Brown)  
DL = Delrin POM (White)

DIN 58405 Tooth Thickness tol.  
Zi worm profile

**Discounts: 6+ -5% 19+ -10%**

Part Number PEEK GF30® Delrin (POM)	No. of Teeth z <sub>2</sub>	Centre Distance a	Ref Dia. d <sub>2</sub>	Wheel Throat d <sub>a2</sub>	Tip Dia. d <sub>e2</sub>	Bore Dia. H7 d <sub>i</sub>	Max Bore Dia. H7 d <sub>i</sub>	Hub Dia. D <sub>hub</sub>	Theoretical Backlash (mm)		Torque n <sub>1</sub> 100min <sup>-1</sup> T <sub>2</sub> Nm*	Price Each 1 - 5	
									J <sub>t,e</sub> (max)	J <sub>t,i</sub> (min)		PEEK®	Delrin
PWG0.5-18-1PK PWG0.5-18-1DL	18	9.50	9.00	10.00	10.50	3	3	7.50	0.082	0.036	0.74	£29.04	£7.82
PWG0.5-19-1PK PWG0.5-19-1DL	19	9.75	9.50	10.50	11.00	4	4	8.00	0.082	0.036	0.78	£29.82	£8.03
PWG0.5-20-1PK PWG0.5-20-1DL	20	10.00	10.00	11.00	11.50	4	4	8.00	0.082	0.036	0.82	£30.51	£8.21
PWG0.5-21-1PK PWG0.5-21-1DL	21	10.25	10.50	11.50	12.00	4	4	8.00	0.083	0.034	0.86	£30.92	£8.32
PWG0.5-22-1PK PWG0.5-22-1DL	22	10.50	11.00	12.00	12.50	4	4	8.00	0.083	0.034	0.90	£31.18	£8.40
PWG0.5-23-1PK PWG0.5-23-1DL	23	10.75	11.50	12.50	13.00	4	4	8.00	0.083	0.034	0.94	£29.00	£7.81
PWG0.5-24-1PK PWG0.5-24-1DL	24	11.00	12.00	13.00	13.50	5	5	10.00	0.083	0.034	0.98	£29.52	£7.94
PWG0.5-25-1PK PWG0.5-25-1DL	25	11.25	12.50	13.50	14.00	5	5	10.00	0.089	0.037	1.02	£32.68	£8.79
PWG0.5-26-1PK PWG0.5-26-1DL	26	11.50	13.00	14.00	14.50	5	5	10.00	0.089	0.037	1.06	£32.87	£8.85
PWG0.5-27-1PK PWG0.5-27-1DL	27	11.75	13.50	14.50	15.00	5	5	10.00	0.089	0.037	1.10	£33.01	£8.89
PWG0.5-28-1PK PWG0.5-28-1DL	28	12.00	14.00	15.00	15.50	5	5	10.00	0.089	0.037	1.14	£33.18	£8.93
PWG0.5-29-1PK PWG0.5-29-1DL	29	12.25	14.50	15.50	16.00	6	6	12.50	0.089	0.037	1.19	£33.24	£8.94
PWG0.5-30-1PK PWG0.5-30-1DL	30	12.50	15.00	16.00	16.50	6	6	12.50	0.089	0.037	1.23	£33.31	£8.96
PWG0.5-32-1PK PWG0.5-32-1DL	32	13.00	16.00	17.00	17.50	6	6	12.50	0.089	0.037	1.31	£34.70	£9.34
PWG0.5-35-1PK PWG0.5-35-1DL	35	13.75	17.50	18.50	19.00	6	6	12.50	0.089	0.037	1.43	£36.21	£9.75
PWG0.5-38-1PK PWG0.5-38-1DL	38	14.50	19.00	20.00	20.50	6	8	15.00	0.089	0.037	1.55	£38.37	£10.33
PWG0.5-40-1PK PWG0.5-40-1DL	40	15.00	20.00	21.00	21.50	6	8	15.00	0.089	0.037	1.63	£40.52	£10.90
PWG0.5-42-1PK PWG0.5-42-1DL	42	15.50	21.00	22.00	22.50	6	8	15.00	0.089	0.037	1.72	£41.22	£11.09
PWG0.5-45-1PK PWG0.5-45-1DL	45	16.25	22.50	23.50	24.00	6	8	15.00	0.089	0.037	1.84	£41.84	£11.26
PWG0.5-48-1PK PWG0.5-48-1DL	48	17.00	24.00	25.00	25.50	6	8	15.00	0.089	0.037	1.96	£43.27	£11.65
PWG0.5-50-1PK PWG0.5-50-1DL	50	17.50	25.00	26.00	26.50	6	8	15.00	0.089	0.037	2.04	£43.87	£11.81
PWG0.5-52-1PK PWG0.5-52-1DL	52	18.00	26.00	27.00	27.50	6	8	15.00	0.096	0.042	2.13	£45.81	£12.33
PWG0.5-55-1PK PWG0.5-55-1DL	55	18.75	27.50	28.50	29.00	6	8	15.00	0.098	0.040	2.27	£47.11	£12.69
PWG0.5-58-1PK PWG0.5-58-1DL	58	19.50	29.00	30.00	30.50	8	10	20.00	0.098	0.040	2.40	£49.69	£13.38
PWG0.5-60-1PK PWG0.5-60-1DL	60	20.00	30.00	31.00	31.50	8	10	20.00	0.098	0.040	2.49	£51.65	£13.91
PWG0.5-62-1PK PWG0.5-62-1DL	62	20.50	31.00	32.00	32.50	8	10	20.00	0.098	0.040	2.58	£53.63	£14.44
PWG0.5-65-1PK PWG0.5-65-1DL	65	21.25	32.50	33.50	34.00	8	10	20.00	0.098	0.040	2.72	£55.60	£14.97
PWG0.5-68-1PK PWG0.5-68-1DL	68	22.00	34.00	35.00	35.50	8	10	20.00	0.098	0.040	2.85	£57.60	£15.51
PWG0.5-70-1PK PWG0.5-70-1DL	70	22.50	35.00	36.00	36.50	8	10	20.00	0.098	0.040	2.95	£59.62	£16.05
PWG0.5-72-1PK PWG0.5-72-1DL	72	23.00	36.00	37.00	37.50	8	10	20.00	0.098	0.040	3.04	£61.60	£16.59
PWG0.5-75-1PK PWG0.5-75-1DL	75	23.75	37.50	38.50	39.00	8	10	20.00	0.098	0.040	3.18	£63.60	£17.12
PWG0.5-78-1PK PWG0.5-78-1DL	78	24.50	39.00	40.00	40.50	8	16	30.00	0.098	0.040	3.31	£65.71	£17.70
PWG0.5-80-1PK PWG0.5-80-1DL	80	25.00	40.00	41.00	41.50	8	16	30.00	0.098	0.040	3.41	£67.86	£18.28

\* Torque stated for Delrin POM. See Technical section for PEEK GF30® figures. Based on plastic wheel running on steel worm.

### Material

PEEK GF30® (Light Brown), Delrin POM (White)

+44 (0)1246 455500  
+44 (0)1246 455522

**ondrives**

sales@ondrives.com  
www.ondrives.com

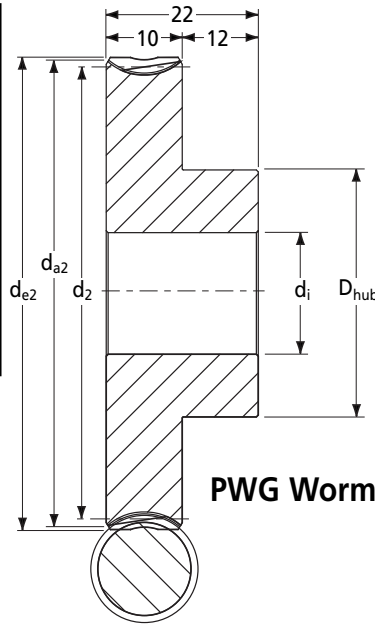
Product information updated 1st April 2011 and subject to change. Please contact Sales for the latest prices and availability.

**PW PSW**  
**1.0m<sub>x</sub>**

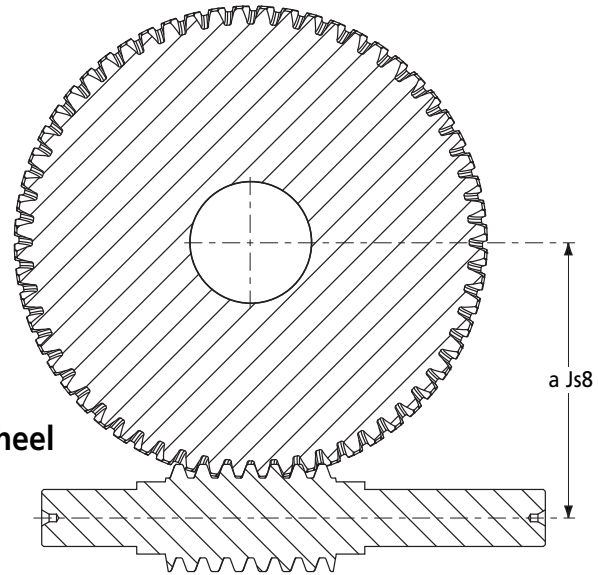
# PRECISION GEARS

**1.0 Module Plastic Worms & Wormwheels α 20° PA**

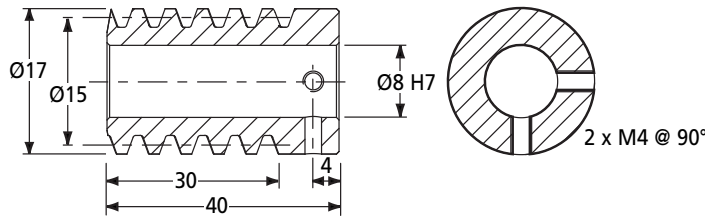
Quality Grade<sup>†</sup> Worm 7e25 DIN 3974/3967



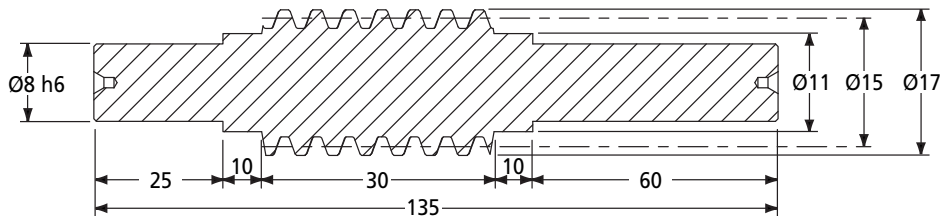
**PWG Wormwheel**



**PW Worm**



**PSW Worm Shaft**



PEEK GF30®			Delrin POM			303 Stainless Steel		
Worm Part Number	No. of Starts $z_1$	Price Each 1 - 5	Worm Part Number	No. of Starts $z_1$	Price Each 1 - 5	Worm Part Number	No. of Starts $z_1$	Price Each 1 - 5
PW1.0-1PK	1	£88.33	PW1.0-1DL	1	£17.45	PW1.0-1S	1	£26.17
PW1.0-2PK	2	£93.07	PW1.0-2DL	2	£18.38	PW1.0-2S	2	£27.57
PW1.0-3PK	3	£102.76	PW1.0-3DL	3	£20.29	PW1.0-3S	3	£30.45
PW1.0-4PK	4	£105.92	PW1.0-4DL	4	£20.91	PW1.0-4S	4	£31.38

PEEK GF30®			Delrin POM			303 Stainless Steel		
Worm Shaft Part Number	No. of Starts $z_1$	Price Each 1 - 5	Worm Shaft Part Number	No. of Starts $z_1$	Price Each 1 - 5	Worm Shaft Part Number	No. of Starts $z_1$	Price Each 1 - 5
PSW1.0-1PK	1	£142.88	PSW1.0-1DL	1	£28.22	PSW1.0-1S	1	£42.33
PSW1.0-2PK	2	£146.49	PSW1.0-2DL	2	£28.93	PSW1.0-2S	2	£43.40
PSW1.0-3PK	3	£156.86	PSW1.0-3DL	3	£30.98	PSW1.0-3S	3	£46.47
PSW1.0-4PK	4	£159.11	PSW1.0-4DL	4	£31.42	PSW1.0-4S	4	£47.14

<sup>†</sup>303 Stainless worms Quality Grade 6e25 DIN 3974/3967.

+44 (0)1246 455500  
+44 (0)1246 455522

**ondrives**

sales@ondrives.com  
www.ondrives.com

Product information updated 1st April 2011 and subject to change. Please contact Sales for the latest prices and availability.

# PRECISION GEARS

**PWG-PK**  
**PWG-DL**  
**1.0m<sub>x</sub>**

## 1.0 Module Plastic Worms & Wormwheels α 20° PA

Quality Grade Wormwheel 8e25 DIN 3974/3967

Standard Part **PWG** **1.0** - **50** - **1** **PK** -     
Modified Part **PWG** **1.0** - **50** - **3** **DL** - **12** **K** **T**

PWG - Precision Worm Gear  
Quality Grade 8e25 DIN 3974/3967  
Other Quality Grades available.  
See page 296

m<sub>x</sub> Module - Cut with DIN 867 1.25/0.20/1.0  
Ref. Tooth Profile Topping WD = 2.25 x m<sub>x</sub>

Number of Teeth z<sub>2</sub>

Number of Starts (1, 2, 3 or 4) on Worm  
to be specified by customer

Ratio =  $\frac{(z_2) \text{ No. of teeth on wheel}}{(z_1) \text{ No. of starts on worm}}$

T = 1 x Tapped hole 2T = 2 x Tapped holes.  
P = 1 x Pin Hole PT = 1 x Pin Hole thru.  
All threads metric as standard,  
refer to page 308 for sizes  
For prices see page 308

K- Keyway supplied to  
DIN 6885 - Js9 tolerance.  
For prices see page 308

To specify different bore enter size required  
Example: 12 = 12mm H7 etc  
For prices see page 308

PK = PEEK GF30® (Light Brown)  
DL = Delrin POM (White)

DIN 3967 Tooth Thickness tol.

Zi worm profile

**Discounts: 6+ -5% 19+ -10%**

Part Number PEEK GF30® Delrin (POM)	No. of Teeth z <sub>2</sub>	Centre Distance a	Ref Dia. d <sub>2</sub>	Wheel Throat d <sub>a2</sub>	Tip Dia. d <sub>e2</sub>	Bore Dia. H7 d <sub>i</sub>	Max Bore Dia. H7 d <sub>i</sub>	Hub Dia. D <sub>hub</sub>	Theoretical Backlash (mm)		Torque n <sub>1</sub> 100min <sup>-1</sup> T <sub>2</sub> Nm*	Price Each 1 - 5	
									J <sub>t,e</sub> (max)	J <sub>t,i</sub> (min)		PEEK®	Delrin
PWG1.0-15-1PK PWG1.0-15-1DL	15	15.00	15	17	18	5	5	12	0.112	0.042	1.03	£44.59	£12.01
PWG1.0-16-1PK PWG1.0-16-1DL	16	15.50	16	18	19	5	5	12	0.112	0.042	1.16	£45.65	£12.29
PWG1.0-17-1PK PWG1.0-17-1DL	17	16.00	17	19	20	5	5	12	0.112	0.042	1.29	£45.95	£12.37
PWG1.0-18-1PK PWG1.0-18-1DL	18	16.50	18	20	21	5	5	12	0.112	0.042	1.43	£46.50	£12.52
PWG1.0-19-1PK PWG1.0-19-1DL	19	17.00	19	21	22	5	5	12	0.112	0.042	1.57	£46.64	£12.55
PWG1.0-20-1PK PWG1.0-20-1DL	20	17.50	20	22	23	5	5	12	0.112	0.042	1.73	£46.91	£12.63
PWG1.0-21-1PK PWG1.0-21-1DL	21	18.00	21	23	24	5	5	12	0.112	0.042	1.88	£47.20	£12.70
PWG1.0-22-1PK PWG1.0-22-1DL	22	18.50	22	24	25	5	5	12	0.114	0.040	2.05	£47.67	£12.84
PWG1.0-23-1PK PWG1.0-23-1DL	23	19.00	23	25	26	5	5	12	0.114	0.040	2.22	£48.10	£12.95
PWG1.0-24-1PK PWG1.0-24-1DL	24	19.50	24	26	27	6	10	20	0.114	0.040	2.40	£49.48	£13.32
PWG1.0-25-1PK PWG1.0-25-1DL	25	20.00	25	27	28	6	10	20	0.114	0.040	2.58	£51.58	£13.89
PWG1.0-26-1PK PWG1.0-26-1DL	26	20.50	26	28	29	6	10	20	0.114	0.040	2.77	£52.20	£14.05
PWG1.0-27-1PK PWG1.0-27-1DL	27	21.00	27	29	30	6	10	20	0.114	0.040	2.96	£53.19	£14.32
PWG1.0-28-1PK PWG1.0-28-1DL	28	21.50	28	30	31	6	10	20	0.114	0.040	3.16	£53.53	£14.41
PWG1.0-29-1PK PWG1.0-29-1DL	29	22.00	29	31	32	8	14	25	0.114	0.040	3.37	£54.46	£14.66
PWG1.0-30-1PK PWG1.0-30-1DL	30	22.50	30	32	33	8	14	25	0.114	0.040	3.58	£55.22	£14.87
PWG1.0-32-1PK PWG1.0-32-1DL	32	23.50	32	34	35	8	14	25	0.114	0.040	4.02	£58.06	£15.63
PWG1.0-35-1PK PWG1.0-35-1DL	35	25.00	35	37	38	8	14	25	0.114	0.040	4.72	£66.76	£17.97
PWG1.0-38-1PK PWG1.0-38-1DL	38	26.50	38	40	41	10	20	35	0.114	0.040	5.47	£67.50	£18.17
PWG1.0-40-1PK PWG1.0-40-1DL	40	27.50	40	42	43	10	20	35	0.114	0.040	6.00	£78.38	£21.11
PWG1.0-42-1PK PWG1.0-42-1DL	42	28.50	42	44	45	10	20	35	0.114	0.040	6.55	£80.21	£21.60
PWG1.0-45-1PK PWG1.0-45-1DL	45	30.00	45	47	48	10	20	35	0.114	0.040	7.42	£90.90	£24.48
PWG1.0-48-1PK PWG1.0-48-1DL	48	31.50	48	50	51	10	20	35	0.116	0.038	8.34	£97.28	£26.19
PWG1.0-50-1PK PWG1.0-50-1DL	50	32.50	50	52	53	10	20	35	0.116	0.038	8.97	£104.66	£28.19
PWG1.0-52-1PK PWG1.0-52-1DL	52	33.50	52	54	55	10	20	35	0.136	0.048	9.63	£106.35	£28.64
PWG1.0-55-1PK PWG1.0-55-1DL	55	35.00	55	57	58	10	20	35	0.136	0.048	10.65	£109.99	£29.62
PWG1.0-58-1PK PWG1.0-58-1DL	58	36.50	58	60	61	10	25	40	0.136	0.048	11.72	£112.64	£30.33
PWG1.0-60-1PK PWG1.0-60-1DL	60	37.50	60	62	63	10	25	40	0.136	0.048	12.45	£115.25	£31.03
PWG1.0-62-1PK PWG1.0-62-1DL	62	38.50	62	64	65	10	25	40	0.136	0.048	13.21	£118.51	£31.92
PWG1.0-65-1PK PWG1.0-65-1DL	65	40.00	65	67	68	10	25	40	0.136	0.048	14.38	£124.69	£33.58
PWG1.0-68-1PK PWG1.0-68-1DL	68	41.50	68	70	71	10	25	40	0.136	0.048	15.60	£129.03	£34.75
PWG1.0-70-1PK PWG1.0-70-1DL	70	42.50	70	72	73	10	25	40	0.136	0.048	16.44	£134.59	£36.24
PWG1.0-72-1PK PWG1.0-72-1DL	72	43.50	72	74	75	10	25	40	0.136	0.048	17.29	£137.90	£37.14
PWG1.0-75-1PK PWG1.0-75-1DL	75	45.00	75	77	78	10	25	40	0.136	0.048	18.61	£141.14	£38.01
PWG1.0-78-1PK PWG1.0-78-1DL	78	46.50	78	80	81	10	30	50	0.136	0.048	19.97	£150.35	£40.49
PWG1.0-80-1PK PWG1.0-80-1DL	80	47.50	80	82	83	10	30	50	0.136	0.048	20.90	£171.13	£46.09

\* Torque stated for Delrin POM. See Technical section for PEEK GF30® figures. Based on plastic wheel running on steel worm.

### Material

PEEK GF30® (Light Brown), Delrin POM (White)

+44 (0)1246 455500

+44 (0)1246 455522

**ondrives**

sales@ondrives.com

www.ondrives.com

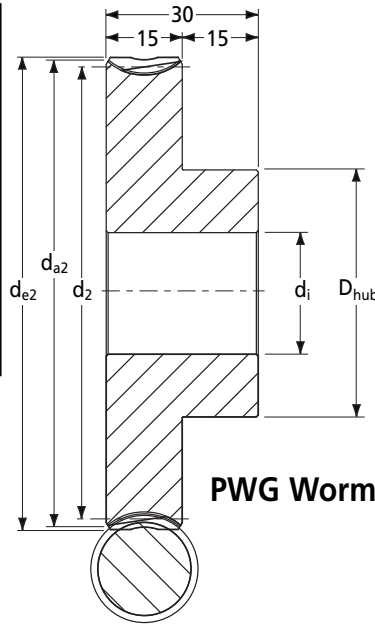
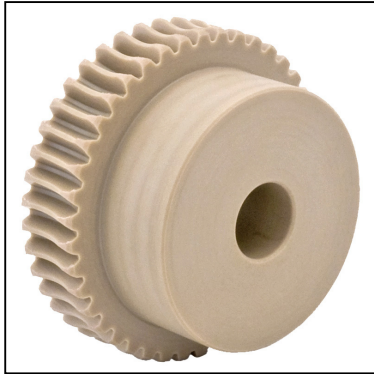
Product information updated 1st April 2011 and subject to change. Please contact Sales for the latest prices and availability.

**PW PSW**  
**1.5m<sub>x</sub>**

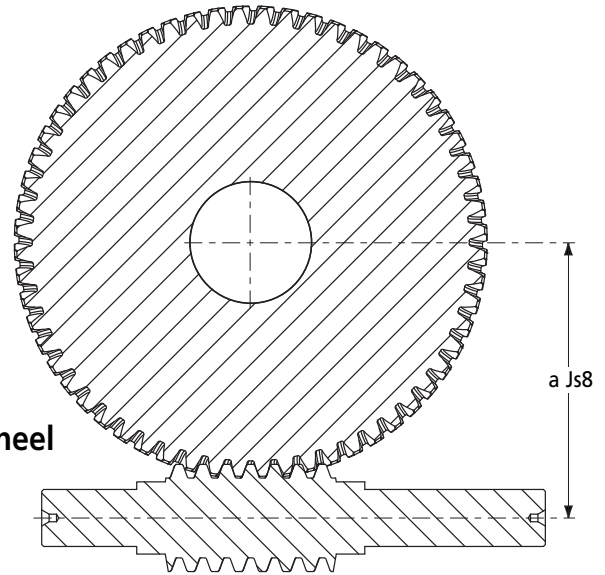
# PRECISION GEARS

## 1.5 Module Plastic Worms & Wormwheels $\alpha 20^\circ$ PA

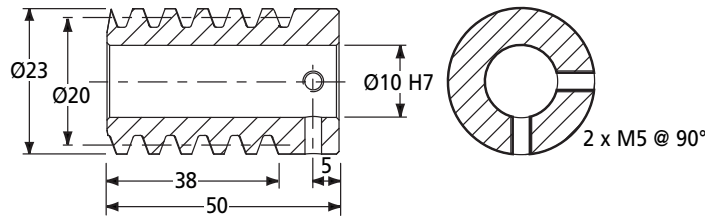
Quality Grade<sup>†</sup> Worm 7e25 DIN 3974/3967



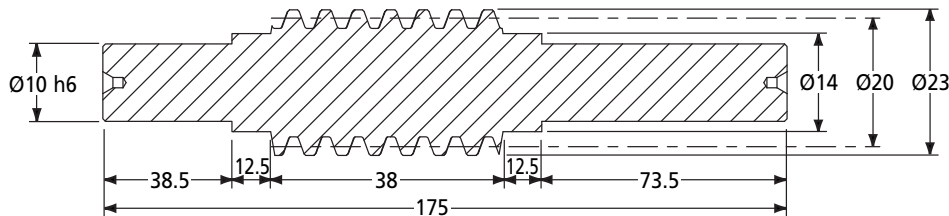
**PWG Wormwheel**



**PW Worm**



**PSW Worm Shaft**



PEEK GF30 <sup>®</sup>			Delrin POM			303 Stainless Steel		
Worm Part Number	No. of Starts $z_1$	Price Each 1 - 5	Worm Part Number	No. of Starts $z_1$	Price Each 1 - 5	Worm Part Number	No. of Starts $z_1$	Price Each 1 - 5
PW1.5-1PK	1	£98.07	PW1.5-1DL	1	£19.37	PW1.5-1S	1	£31.47
PW1.5-2PK	2	£112.32	PW1.5-2DL	2	£22.18	PW1.5-2S	2	£36.05
PW1.5-3PK	3	£117.55	PW1.5-3DL	3	£23.21	PW1.5-3S	3	£37.72
PW1.5-4PK	4	£125.53	PW1.5-4DL	4	£24.79	PW1.5-4S	4	£40.29

PEEK GF30 <sup>®</sup>			Delrin POM			303 Stainless Steel		
Worm Shaft Part Number	No. of Starts $z_1$	Price Each 1 - 5	Worm Shaft Part Number	No. of Starts $z_1$	Price Each 1 - 5	Worm Shaft Part Number	No. of Starts $z_1$	Price Each 1 - 5
PSW1.5-1PK	1	£166.68	PSW1.5-1DL	1	£32.91	PSW1.5-1S	1	£53.49
PSW1.5-2PK	2	£175.79	PSW1.5-2DL	2	£34.72	PSW1.5-2S	2	£56.42
PSW1.5-3PK	3	£180.97	PSW1.5-3DL	3	£35.74	PSW1.5-3S	3	£58.09
PSW1.5-4PK	4	£183.14	PSW1.5-4DL	4	£36.17	PSW1.5-4S	4	£58.77

<sup>†</sup>303 Stainless worms Quality Grade 6e25 DIN 3974/3967.

+44 (0)1246 455500  
+44 (0)1246 455522

**ondrives**

sales@ondrives.com  
www.ondrives.com

Product information updated 1st April 2011 and subject to change. Please contact Sales for the latest prices and availability.

# PRECISION GEARS

**PWG-PK**  
**PWG-DL**  
**1.5m<sub>x</sub>**

## 1.5 Module Plastic Worms & Wormwheels α 20° PA

Quality Grade Wormwheel 8e25 DIN 3974/3967

Standard Part **PWG** **1.5** **50** **1** **PK**     
Modified Part **PWG** **1.5** **50** **3** **DL** **16** **K** **T**

PWG - Precision Worm Gear  
Quality Grade 8e25 DIN 3974/3967  
Other Quality Grades available.  
See page 296

m<sub>x</sub> Module - Cut with DIN 867 1.25/0.20/1.0  
Ref. Tooth Profile Topping WD = 2.25 x m<sub>x</sub>

Number of Teeth z<sub>2</sub>

Number of Starts (1, 2, 3 or 4) on Worm  
to be specified by customer

Ratio =  $\frac{(z_2) \text{ No. of teeth on wheel}}{(z_1) \text{ No. of starts on worm}}$

T = 1 x Tapped hole 2T = 2 x Tapped holes.  
P = 1 x Pin Hole PT = 1 x Pin Hole thru.  
All threads metric as standard,  
refer to page 308 for sizes  
For prices see page 308

K- Keyway supplied to  
DIN 6885 - Js9 tolerance.  
For prices see page 308

To specify different bore enter size required  
Example: 16 = 16mm H7 etc  
For prices see page 308

PK = PEEK GF30® (Light Brown)  
DL = Delrin POM (White)

DIN 3967 Tooth Thickness tol.

Zi worm profile

**Discounts: 6+ -5% 19+ -10%**

Part Number PEEK GF30® Delrin (POM)	No. of Teeth z <sub>2</sub>	Centre Distance a	Ref Dia. d <sub>2</sub>	Wheel Throat d <sub>a2</sub>	Tip Dia. d <sub>e2</sub>	Bore Dia. H7 d <sub>i</sub>	Max Bore Dia. H7 d <sub>i</sub>	Hub Dia. D <sub>hub</sub>	Theoretical Backlash (mm)		Torque n <sub>1</sub> 100min <sup>-1</sup> T <sub>2</sub> Nm*	Price Each 1 - 5	
									J <sub>t,e</sub> (max)	J <sub>t,i</sub> (min)		PEEK®	Delrin
PWG1.5-15-1PK PWG1.5-15-1DL	15	21.25	22.50	25.50	27.00	6	10	20	0.114	0.040	2.65	£63.26	£17.04
PWG1.5-16-1PK PWG1.5-16-1DL	16	22.00	24.00	27.00	28.50	6	10	20	0.114	0.040	2.98	£65.38	£17.60
PWG1.5-17-1PK PWG1.5-17-1DL	17	22.75	25.50	28.50	30.00	6	10	20	0.114	0.040	3.32	£66.70	£17.96
PWG1.5-18-1PK PWG1.5-18-1DL	18	23.50	27.00	30.00	31.50	6	10	20	0.114	0.040	3.68	£67.57	£18.19
PWG1.5-19-1PK PWG1.5-19-1DL	19	24.25	28.50	31.50	33.00	6	10	20	0.114	0.040	4.05	£68.76	£18.52
PWG1.5-20-1PK PWG1.5-20-1DL	20	25.00	30.00	33.00	34.50	6	10	20	0.114	0.040	4.45	£69.71	£18.77
PWG1.5-21-1PK PWG1.5-21-1DL	21	25.75	31.50	34.50	36.00	8	14	25	0.114	0.040	4.85	£70.80	£19.06
PWG1.5-22-1PK PWG1.5-22-1DL	22	26.50	33.00	36.00	37.50	8	14	25	0.114	0.040	5.36	£71.93	£19.37
PWG1.5-23-1PK PWG1.5-23-1DL	23	27.25	34.50	37.50	39.00	8	14	25	0.114	0.040	5.81	£72.95	£19.64
PWG1.5-24-1PK PWG1.5-24-1DL	24	28.00	36.00	39.00	40.50	8	14	25	0.114	0.040	6.27	£74.39	£20.03
PWG1.5-25-1PK PWG1.5-25-1DL	25	28.75	37.50	40.50	42.00	8	14	25	0.114	0.040	6.86	£76.57	£20.62
PWG1.5-26-1PK PWG1.5-26-1DL	26	29.50	39.00	42.00	43.50	8	14	25	0.114	0.040	7.36	£77.79	£20.94
PWG1.5-27-1PK PWG1.5-27-1DL	27	30.25	40.50	43.50	45.00	8	14	25	0.117	0.038	7.95	£79.32	£21.36
PWG1.5-28-1PK PWG1.5-28-1DL	28	31.00	42.00	45.00	46.50	8	14	25	0.117	0.038	8.48	£80.47	£21.67
PWG1.5-29-1PK PWG1.5-29-1DL	29	31.75	43.50	46.50	48.00	10	20	35	0.117	0.038	9.04	£82.17	£22.13
PWG1.5-30-1PK PWG1.5-30-1DL	30	32.50	45.00	48.00	49.50	10	20	35	0.117	0.038	9.68	£84.34	£22.71
PWG1.5-32-1PK PWG1.5-32-1DL	32	34.00	48.00	51.00	52.50	10	20	35	0.117	0.038	10.87	£87.09	£23.45
PWG1.5-35-1PK PWG1.5-35-1DL	35	36.25	52.50	55.50	57.00	10	20	35	0.137	0.048	12.78	£104.80	£28.23
PWG1.5-38-1PK PWG1.5-38-1DL	38	38.50	57.00	60.00	61.50	12	25	45	0.137	0.048	14.81	£118.81	£32.00
PWG1.5-40-1PK PWG1.5-40-1DL	40	40.00	60.00	63.00	64.50	12	25	45	0.137	0.048	16.25	£128.09	£34.50
PWG1.5-42-1PK PWG1.5-42-1DL	42	41.50	63.00	66.00	67.50	12	25	45	0.137	0.048	18.02	£141.63	£38.14
PWG1.5-45-1PK PWG1.5-45-1DL	45	43.75	67.50	70.50	72.00	12	25	45	0.137	0.048	20.40	£160.14	£43.13
PWG1.5-48-1PK PWG1.5-48-1DL	48	46.00	72.00	75.00	76.50	12	25	45	0.137	0.048	22.92	£179.88	£48.44
PWG1.5-50-1PK PWG1.5-50-1DL	50	47.50	75.00	78.00	79.50	14	35	55	0.137	0.048	25.05	£193.57	£52.13
PWG1.5-52-1PK PWG1.5-52-1DL	52	49.00	78.00	81.00	82.50	14	35	55	0.137	0.048	26.88	£207.87	£55.98
PWG1.5-55-1PK PWG1.5-55-1DL	55	51.25	82.50	85.50	87.00	14	35	55	0.139	0.045	29.74	£230.25	£62.02
PWG1.5-58-1PK PWG1.5-58-1DL	58	53.50	87.00	90.00	91.50	14	35	55	0.139	0.045	32.72	£253.51	£68.28
PWG1.5-60-1PK PWG1.5-60-1DL	60	55.00	90.00	93.00	94.50	14	35	55	0.139	0.045	34.78	£270.00	£72.72
PWG1.5-62-1PK PWG1.5-62-1DL	62	56.50	93.00	96.00	97.50	14	35	55	0.139	0.045	36.89	£286.59	£77.19
PWG1.5-65-1PK PWG1.5-65-1DL	65	58.75	97.50	100.50	102.00	14	35	55	0.139	0.045	41.71	£308.47	£83.08
PWG1.5-68-1PK PWG1.5-68-1DL	68	61.00	102.00	105.00	106.50	16	40	65	0.139	0.045	45.24	£335.35	£90.33
PWG1.5-70-1PK PWG1.5-70-1DL	70	62.50	105.00	108.00	109.50	16	40	65	0.139	0.045	47.66	£353.92	£95.32
PWG1.5-72-1PK PWG1.5-72-1DL	72	64.00	108.00	111.00	112.50	16	40	65	0.139	0.045	50.14	£372.94	£100.45
PWG1.5-75-1PK PWG1.5-75-1DL	75	66.25	112.50	115.50	117.00	16	40	65	0.139	0.045	53.96	£402.37	£108.38
PWG1.5-78-1PK PWG1.5-78-1DL	78	68.50	117.00	120.00	121.50	16	40	65	0.139	0.045	57.91	£433.08	£116.65
PWG1.5-80-1PK PWG1.5-80-1DL	80	70.00	120.00	123.00	124.50	16	40	65	0.139	0.045	60.66	£454.08	£122.30

\* Torque stated for Delrin POM. See Technical section for PEEK GF30® figures. Based on plastic wheel running on steel worm.

### Material

PEEK GF30® (Light Brown), Delrin POM (White)

+44 (0)1246 455500

+44 (0)1246 455522

**ondrives**

sales@ondrives.com

www.ondrives.com

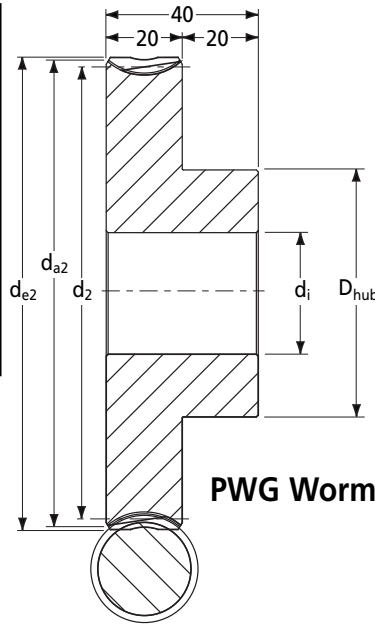
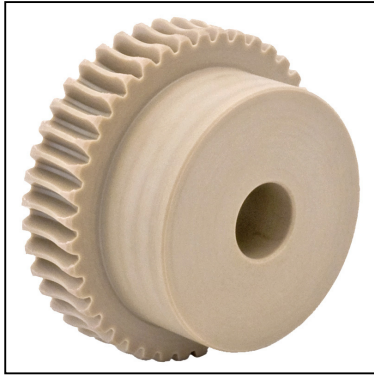
Product information updated 1st April 2011 and subject to change. Please contact Sales for the latest prices and availability.

**PW PSW**  
**2.0m<sub>x</sub>**

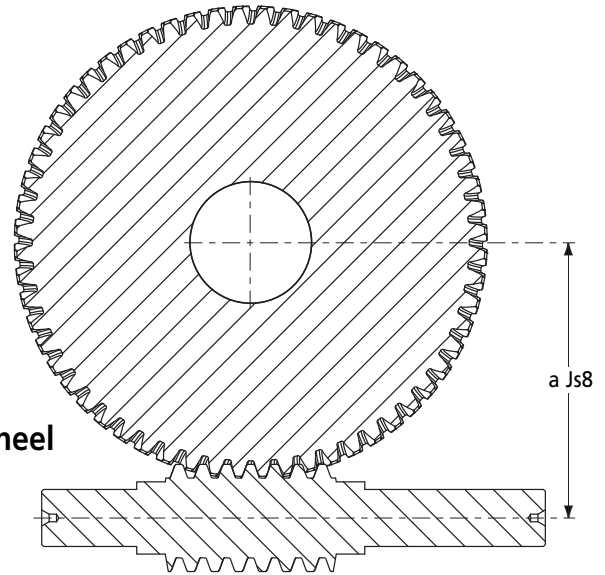
# PRECISION GEARS

**2.0 Module Plastic Worms & Wormwheels  $\alpha$  20° PA**

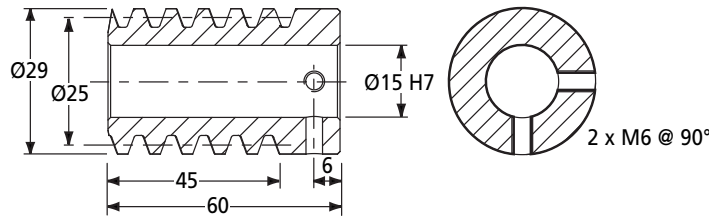
Quality Grade<sup>†</sup> Worm 7e25 DIN 3974/3967



**PWG Wormwheel**

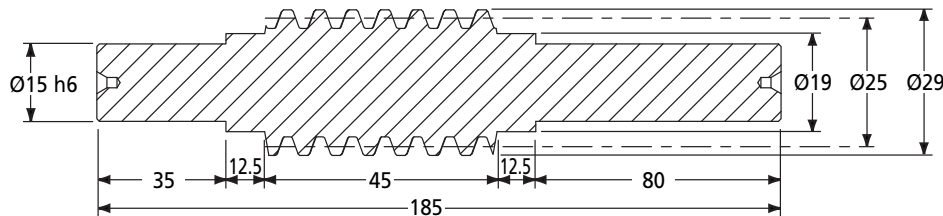


**PW Worm**



PEEK GF30®			Delrin POM			303 Stainless Steel		
Worm Part Number	No. of Starts $z_1$	Price Each 1 - 5	Worm Part Number	No. of Starts $z_1$	Price Each 1 - 5	Worm Part Number	No. of Starts $z_1$	Price Each 1 - 5
PW2.0-1PK	1	£149.41	PW2.0-1DL	1	£29.51	PW2.0-1S	1	£49.80
PW2.0-2PK	2	£160.46	PW2.0-2DL	2	£31.68	PW2.0-2S	2	£53.48
PW2.0-3PK	3	£172.41	PW2.0-3DL	3	£34.05	PW2.0-3S	3	£57.46
PW2.0-4PK	4	£189.53	PW2.0-4DL	4	£37.43	PW2.0-4S	4	£63.17

**PSW Worm Shaft**



PEEK GF30®			Delrin POM			303 Stainless Steel		
Worm Shaft Part Number	No. of Starts $z_1$	Price Each 1 - 5	Worm Shaft Part Number	No. of Starts $z_1$	Price Each 1 - 5	Worm Shaft Part Number	No. of Starts $z_1$	Price Each 1 - 5
PSW2.0-1PK	1	£226.50	PSW2.0-1DL	1	£44.74	PSW2.0-1S	1	£75.50
PSW2.0-2PK	2	£240.47	PSW2.0-2DL	2	£47.50	PSW2.0-2S	2	£80.15
PSW2.0-3PK	3	£245.66	PSW2.0-3DL	3	£48.52	PSW2.0-3S	3	£81.88
PSW2.0-4PK	4	£260.53	PSW2.0-4DL	4	£51.46	PSW2.0-4S	4	£86.84

<sup>†</sup>303 Stainless worms Quality Grade 6e25 DIN 3974/3967.

+44 (0)1246 455500  
+44 (0)1246 455522

**ondrives**

sales@ondrives.com  
www.ondrives.com

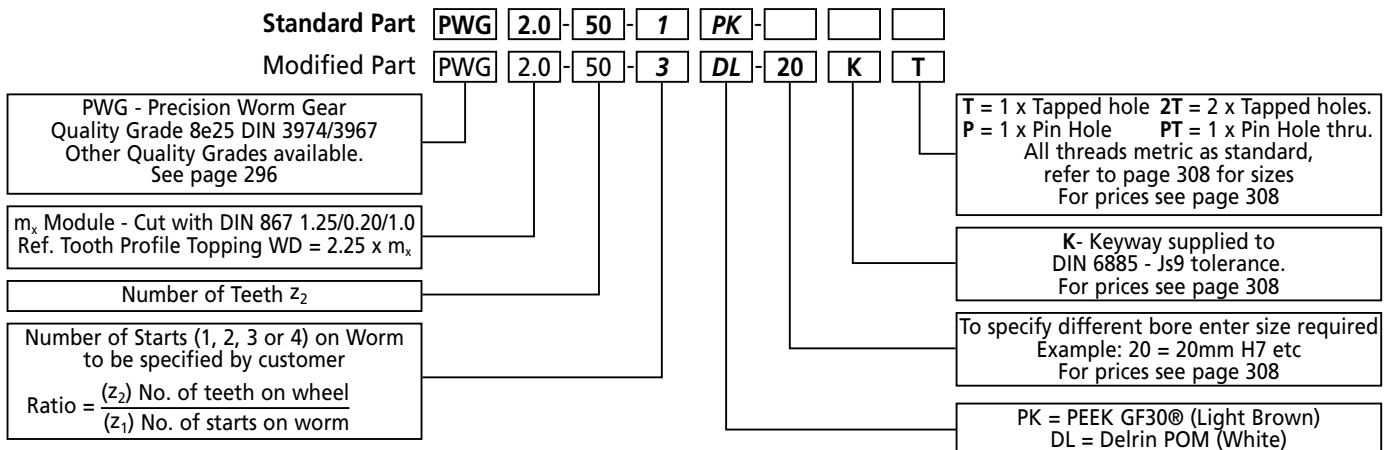
Product information updated 1st April 2011 and subject to change. Please contact Sales for the latest prices and availability.

# PRECISION GEARS

**PWG-PK**  
**PWG-DL**  
**2.0m<sub>x</sub>**

## 2.0 Module Plastic Worms & Wormwheels α 20° PA

Quality Grade Wormwheel 8e25 DIN 3974/3967



DIN 3967 Tooth Thickness tol.

Zi worm profile

**Discounts: 6+ -5%    19+ -10%**

Part Number PEEK GF30® Delrin (POM)	No. of Teeth z <sub>2</sub>	Centre Distance a	Ref Dia. d <sub>2</sub>	Wheel Throat d <sub>a2</sub>	Tip Dia. d <sub>e2</sub>	Bore Dia. H7 d <sub>i</sub>	Max Bore Dia. H7 d <sub>i</sub>	Hub Dia. D <sub>hub</sub>	Theoretical Backlash (mm)		Torque n <sub>1</sub> 100min <sup>-1</sup> T <sub>2</sub> Nm*	Price Each 1 - 5	
									J <sub>t,e</sub> (max)	J <sub>t,i</sub> (min)		PEEK®	Delrin
PWG2.0-15-1PK PWG2.0-15-1DL	15	27.50	30	34	36	10	12	25	0.114	0.040	5.65	£124.10	£33.42
PWG2.0-16-1PK PWG2.0-16-1DL	16	28.50	32	36	38	10	12	25	0.114	0.040	6.35	£131.16	£35.33
PWG2.0-17-1PK PWG2.0-17-1DL	17	29.50	34	38	40	10	12	25	0.114	0.040	7.08	£133.64	£35.99
PWG2.0-18-1PK PWG2.0-18-1DL	18	30.50	36	40	42	10	12	25	0.117	0.038	7.85	£136.17	£36.67
PWG2.0-19-1PK PWG2.0-19-1DL	19	31.50	38	42	44	10	12	25	0.117	0.038	8.65	£138.75	£37.36
PWG2.0-20-1PK PWG2.0-20-1DL	20	32.50	40	44	46	10	12	25	0.117	0.038	9.65	£141.25	£38.04
PWG2.0-21-1PK PWG2.0-21-1DL	21	33.50	42	46	48	12	20	35	0.117	0.038	10.53	£149.19	£40.18
PWG2.0-22-1PK PWG2.0-22-1DL	22	34.50	44	48	50	12	20	35	0.117	0.038	11.64	£158.13	£42.59
PWG2.0-23-1PK PWG2.0-23-1DL	23	35.50	46	50	52	12	20	35	0.117	0.038	12.81	£162.53	£43.77
PWG2.0-24-1PK PWG2.0-24-1DL	24	36.50	48	52	54	12	20	35	0.117	0.038	14.05	£166.64	£44.88
PWG2.0-25-1PK PWG2.0-25-1DL	25	37.50	50	54	56	12	20	35	0.117	0.038	15.12	£171.00	£46.06
PWG2.0-26-1PK PWG2.0-26-1DL	26	38.50	52	56	58	12	20	35	0.137	0.048	16.23	£175.17	£47.17
PWG2.0-27-1PK PWG2.0-27-1DL	27	39.50	54	58	60	12	20	35	0.137	0.048	17.37	£176.53	£47.54
PWG2.0-28-1PK PWG2.0-28-1DL	28	40.50	56	60	62	12	20	35	0.137	0.048	18.54	£179.38	£48.32
PWG2.0-29-1PK PWG2.0-29-1DL	29	41.50	58	62	64	14	30	50	0.137	0.048	19.75	£182.21	£49.07
PWG2.0-30-1PK PWG2.0-30-1DL	30	42.50	60	64	66	14	30	50	0.137	0.048	20.99	£183.65	£49.46
PWG2.0-32-1PK PWG2.0-32-1DL	32	44.50	64	68	70	14	30	50	0.137	0.048	23.58	£190.72	£51.36
PWG2.0-35-1PK PWG2.0-35-1DL	35	47.50	70	74	76	14	30	50	0.137	0.048	27.71	£223.83	£60.29
PWG2.0-38-1PK PWG2.0-38-1DL	38	50.50	76	80	82	14	30	50	0.139	0.045	32.13	£259.61	£69.93
PWG2.0-40-1PK PWG2.0-40-1DL	40	52.50	80	84	86	14	30	50	0.139	0.045	35.23	£284.93	£76.74
PWG2.0-42-1PK PWG2.0-42-1DL	42	54.50	84	88	90	14	30	50	0.139	0.045	38.47	£311.48	£83.89
PWG2.0-45-1PK PWG2.0-45-1DL	45	57.50	90	94	96	14	30	50	0.139	0.045	44.23	£353.35	£95.17
PWG2.0-48-1PK PWG2.0-48-1DL	48	60.50	96	100	102	14	30	50	0.139	0.045	49.68	£395.59	£106.55
PWG2.0-50-1PK PWG2.0-50-1DL	50	62.50	100	104	106	16	40	65	0.139	0.045	53.47	£426.53	£114.89
PWG2.0-52-1PK PWG2.0-52-1DL	52	64.50	104	108	110	16	40	65	0.139	0.045	57.38	£458.77	£123.57
PWG2.0-55-1PK PWG2.0-55-1DL	55	67.50	110	114	116	16	40	65	0.139	0.045	63.48	£504.36	£135.84
PWG2.0-58-1PK PWG2.0-58-1DL	58	70.50	116	120	122	16	40	65	0.139	0.045	69.84	£557.02	£150.03
PWG2.0-60-1PK PWG2.0-60-1DL	60	72.50	120	124	126	16	40	65	0.139	0.045	76.52	£593.52	£159.86

\* Torque stated for Delrin POM. See Technical section for PEEK GF30® figures. Based on plastic wheel running on steel worm.

### Material

PEEK GF30® (Light Brown), Delrin POM (White)

+44 (0)1246 455500

+44 (0)1246 455522

**ondrives**

sales@ondrives.com

www.ondrives.com

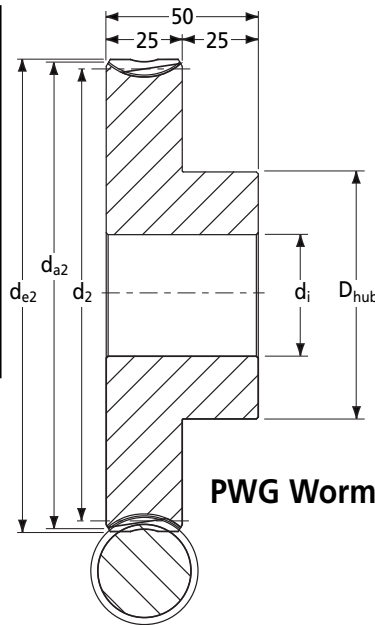
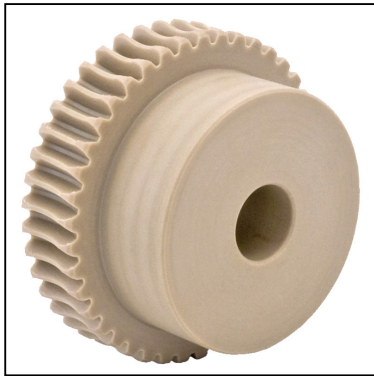
Product information updated 1st April 2011 and subject to change. Please contact Sales for the latest prices and availability.

**PW PSW**  
**2.5m<sub>x</sub>**

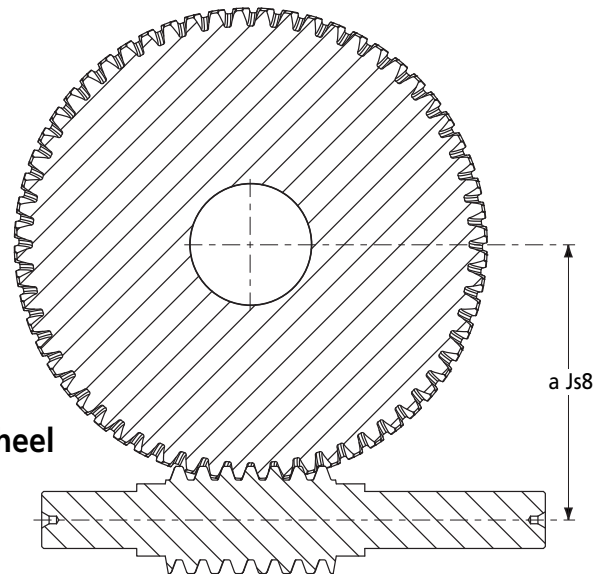
# PRECISION GEARS

## 2.5 Module Plastic Worms & Wormwheels $\alpha 20^\circ$ PA

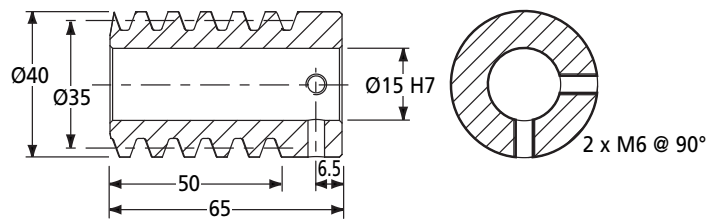
Quality Grade<sup>†</sup> Worm 7e25 DIN 3974/3967



**PWG Wormwheel**

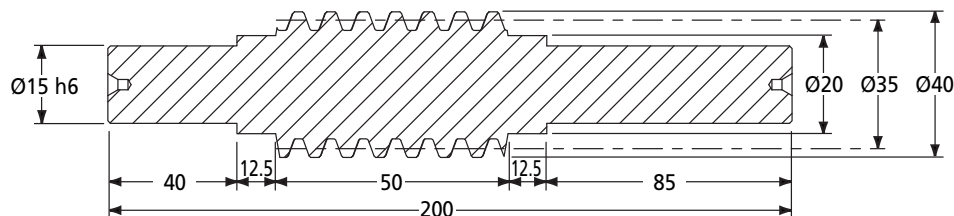


**PW Worm**



PEEK GF30 <sup>®</sup>			Delrin POM			303 Stainless Steel		
Worm Part Number	No. of Starts $z_1$	Price Each 1 - 5	Worm Part Number	No. of Starts $z_1$	Price Each 1 - 5	Worm Part Number	No. of Starts $z_1$	Price Each 1 - 5
PW2.5-1PK	1	£231.23	PW2.5-1DL	1	£45.67	PW2.5-1S	1	£77.08
PW2.5-2PK	2	£246.78	PW2.5-2DL	2	£48.74	PW2.5-2S	2	£82.25
PW2.5-3PK	3	£256.70	PW2.5-3DL	3	£50.70	PW2.5-3S	3	£85.56
PW2.5-4PK	4	£265.49	PW2.5-4DL	4	£52.43	PW2.5-4S	4	£88.50

**PSW Worm Shaft**



PEEK GF30 <sup>®</sup>			Delrin POM			303 Stainless Steel		
Worm Shaft Part Number	No. of Starts $z_1$	Price Each 1 - 5	Worm Shaft Part Number	No. of Starts $z_1$	Price Each 1 - 5	Worm Shaft Part Number	No. of Starts $z_1$	Price Each 1 - 5
PSW2.5-1PK	1	£339.87	PSW2.5-1DL	1	£67.12	PSW2.5-1S	1	£113.28
PSW2.5-2PK	2	£353.85	PSW2.5-2DL	2	£69.88	PSW2.5-2S	2	£117.94
PSW2.5-3PK	3	£368.03	PSW2.5-3DL	3	£72.69	PSW2.5-3S	3	£122.68
PSW2.5-4PK	4	£384.95	PSW2.5-4DL	4	£76.03	PSW2.5-4S	4	£128.31

<sup>†</sup>303 Stainless worms Quality Grade 6e25 DIN 3974/3967.

+44 (0)1246 455500  
+44 (0)1246 455522

**ondrives**

sales@ondrives.com  
www.ondrives.com

Product information updated 1st April 2011 and subject to change. Please contact Sales for the latest prices and availability.

# PRECISION GEARS

**PWG-PK**  
**PWG-DL**  
**2.5m<sub>x</sub>**

## 2.5 Module Plastic Worms & Wormwheels α 20° PA

Quality Grade Wormwheel 8e25 DIN 3974/3967

Standard Part **PWG** **2.5** **40** **1** **PK**     
Modified Part **PWG** **2.5** **40** **3** **DL** **25** **K** **T**

PWG - Precision Worm Gear  
Quality Grade 8e25 DIN 3974/3967  
Other Quality Grades available.  
See page 296

m<sub>x</sub> Module - Cut with DIN 867 1.25/0.20/1.0  
Ref. Tooth Profile Topping WD = 2.25 x m<sub>x</sub>

Number of Teeth z<sub>2</sub>

Number of Starts (1, 2, 3 or 4) on Worm  
to be specified by customer

Ratio =  $\frac{(z_2) \text{ No. of teeth on wheel}}{(z_1) \text{ No. of starts on worm}}$

T = 1 x Tapped hole 2T = 2 x Tapped holes.  
P = 1 x Pin Hole PT = 1 x Pin Hole thru.  
All threads metric as standard,  
refer to page 308 for sizes  
For prices see page 308

K- Keyway supplied to  
DIN 6885 - Js9 tolerance.  
For prices see page 308

To specify different bore enter size required  
Example: 25 = 25mm H7 etc  
For prices see page 308

PK = PEEK GF30® (Light Brown)  
DL = Delrin POM (White)

DIN 3967 Tooth Thickness tol.

Zi worm profile

**Discounts: 6+ -5% 19+ -10%**

Part Number PEEK GF30® Delrin (POM)	No. of Teeth z <sub>2</sub>	Centre Distance a	Ref Dia. d <sub>2</sub>	Wheel Throat d <sub>a2</sub>	Tip Dia. d <sub>e2</sub>	Bore Dia. H7 d <sub>i</sub>	Max Bore Dia. H7 d <sub>i</sub>	Hub Dia. D <sub>hub</sub>	Theoretical Backlash (mm)		Torque n <sub>1</sub> 100min <sup>-1</sup> T <sub>2</sub> Nm*	Price Each 1 - 5	
									J <sub>t,e</sub> (max)	J <sub>t,i</sub> (min)		PEEK®	Delrin
PWG2.5-15-1PK PWG2.5-15-1DL	15	36.25	37.50	42.50	45.00	10	16	30	0.116	0.038	11.19	£139.39	£37.54
PWG2.5-16-1PK PWG2.5-16-1DL	16	37.50	40.00	45.00	47.50	10	16	30	0.116	0.038	12.57	£142.44	£38.36
PWG2.5-17-1PK PWG2.5-17-1DL	17	38.75	42.50	47.50	50.00	10	16	30	0.116	0.038	14.26	£145.39	£39.16
PWG2.5-18-1PK PWG2.5-18-1DL	18	40.00	45.00	50.00	52.50	10	16	30	0.116	0.038	15.81	£153.98	£41.47
PWG2.5-19-1PK PWG2.5-19-1DL	19	41.25	47.50	52.50	55.00	10	16	30	0.116	0.038	17.42	£162.50	£43.76
PWG2.5-20-1PK PWG2.5-20-1DL	20	42.50	50.00	55.00	57.50	10	16	30	0.116	0.038	19.43	£171.06	£46.07
PWG2.5-21-1PK PWG2.5-21-1DL	21	43.75	52.50	57.50	60.00	12	25	45	0.137	0.048	21.21	£175.30	£47.21
PWG2.5-22-1PK PWG2.5-22-1DL	22	45.00	55.00	60.00	62.50	12	25	45	0.137	0.048	23.06	£178.78	£48.15
PWG2.5-23-1PK PWG2.5-23-1DL	23	46.25	57.50	62.50	65.00	12	25	45	0.137	0.048	24.99	£185.79	£50.04
PWG2.5-24-1PK PWG2.5-24-1DL	24	47.50	60.00	65.00	67.50	12	25	45	0.137	0.048	26.98	£188.18	£50.68
PWG2.5-25-1PK PWG2.5-25-1DL	25	48.75	62.50	67.50	70.00	12	25	45	0.137	0.048	29.03	£190.17	£51.21
PWG2.5-26-1PK PWG2.5-26-1DL	26	50.00	65.00	70.00	72.50	12	25	45	0.137	0.048	31.67	£192.28	£51.78
PWG2.5-27-1PK PWG2.5-27-1DL	27	51.25	67.50	72.50	75.00	12	25	45	0.139	0.045	33.90	£193.81	£52.20
PWG2.5-28-1PK PWG2.5-28-1DL	28	52.50	70.00	75.00	77.50	12	25	45	0.139	0.045	36.19	£194.97	£52.52
PWG2.5-29-1PK PWG2.5-29-1DL	29	53.75	72.50	77.50	80.00	14	30	55	0.139	0.045	38.55	£196.98	£53.05
PWG2.5-30-1PK PWG2.5-30-1DL	30	55.00	75.00	80.00	82.50	14	30	55	0.139	0.045	41.99	£198.54	£53.47
PWG2.5-32-1PK PWG2.5-32-1DL	32	57.50	80.00	85.00	87.50	14	30	55	0.139	0.045	47.16	£243.12	£65.48
PWG2.5-35-1PK PWG2.5-35-1DL	35	61.25	87.50	92.50	95.00	14	30	55	0.139	0.045	55.41	£270.34	£72.81
PWG2.5-38-1PK PWG2.5-38-1DL	38	65.00	95.00	100.00	102.50	14	30	55	0.139	0.045	64.77	£316.01	£85.12
PWG2.5-40-1PK PWG2.5-40-1DL	40	67.50	100.00	105.00	107.50	14	30	55	0.139	0.045	71.03	£353.18	£95.13
PWG2.5-42-1PK PWG2.5-42-1DL	42	70.00	105.00	110.00	112.50	16	40	65	0.139	0.045	78.78	£395.15	£106.43
PWG2.5-45-1PK PWG2.5-45-1DL	45	73.75	112.50	117.50	120.00	16	40	65	0.139	0.045	89.20	£437.07	£117.72
PWG2.5-48-1PK PWG2.5-48-1DL	48	77.50	120.00	125.00	127.50	16	40	65	0.139	0.045	100.47	£484.13	£130.39

\* Torque stated for Delrin POM. See Technical section for PEEK GF30® figures. Based on plastic wheel running on steel worm.

### Material

PEEK GF30® (Light Brown), Delrin POM (White)

+44 (0)1246 455500  
+44 (0)1246 455522

**ondrives**

sales@ondrives.com  
www.ondrives.com

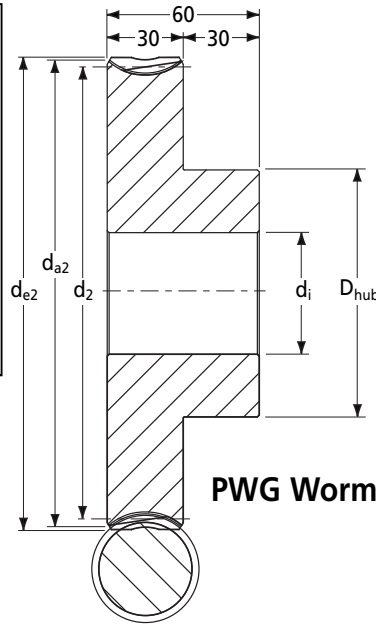
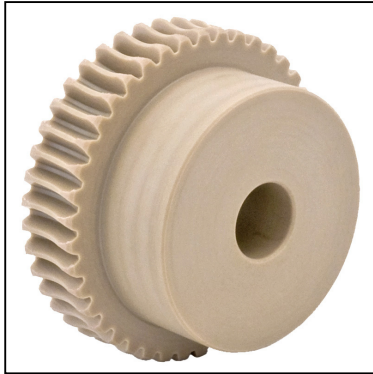
Product information updated 1st April 2011 and subject to change. Please contact Sales for the latest prices and availability.

**PW PSW**  
**3.0m<sub>x</sub>**

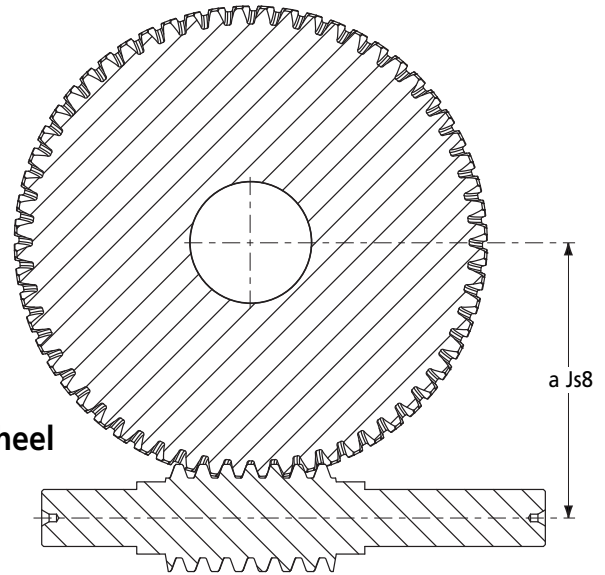
# PRECISION GEARS

## 3.0 Module Plastic Worms & Wormwheels $\alpha 20^\circ$ PA

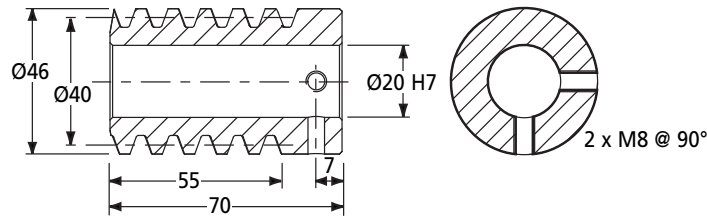
Quality Grade<sup>†</sup> Worm 7e25 DIN 3974/3967



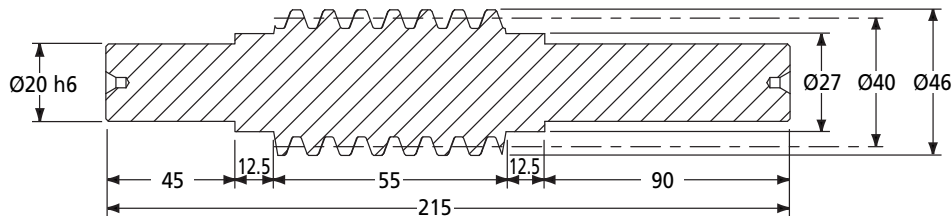
**PWG Wormwheel**



**PW Worm**



**PSW Worm Shaft**



PEEK GF30®			Delrin POM			303 Stainless Steel		
Worm Part Number	No. of Starts $z_1$	Price Each 1 - 5	Worm Part Number	No. of Starts $z_1$	Price Each 1 - 5	Worm Part Number	No. of Starts $z_1$	Price Each 1 - 5
PW3.0-1PK	1	£271.12	PW3.0-1DL	1	£53.55	PW3.0-1S	1	£90.37
PW3.0-2PK	2	£280.36	PW3.0-2DL	2	£55.37	PW3.0-2S	2	£93.45
PW3.0-3PK	3	£288.48	PW3.0-3DL	3	£56.98	PW3.0-3S	3	£96.15
PW3.0-4PK	4	£299.75	PW3.0-4DL	4	£59.20	PW3.0-4S	4	£99.91

PEEK GF30®			Delrin POM			303 Stainless Steel		
Worm Shaft Part Number	No. of Starts $z_1$	Price Each 1 - 5	Worm Shaft Part Number	No. of Starts $z_1$	Price Each 1 - 5	Worm Shaft Part Number	No. of Starts $z_1$	Price Each 1 - 5
PSW3.0-1PK	1	£387.87	PSW3.0-1DL	1	£76.61	PSW3.0-1S	1	£129.29
PSW3.0-2PK	2	£411.54	PSW3.0-2DL	2	£81.29	PSW3.0-2S	2	£137.18
PSW3.0-3PK	3	£429.16	PSW3.0-3DL	3	£84.76	PSW3.0-3S	3	£143.05
PSW3.0-4PK	4	£446.03	PSW3.0-4DL	4	£88.09	PSW3.0-4S	4	£148.66

<sup>†</sup>303 Stainless worms Quality Grade 6e25 DIN 3974/3967.

+44 (0)1246 455500  
+44 (0)1246 455522

**ondrives**

sales@ondrives.com  
www.ondrives.com

Product information updated 1st April 2011 and subject to change. Please contact Sales for the latest prices and availability.

# PRECISION GEARS

**PWG-PK**  
**PWG-DL**  
**3.0m<sub>x</sub>**

## 3.0 Module Plastic Worms & Wormwheels α 20° PA

Quality Grade Wormwheel 8e25 DIN 3974/3967

Standard Part **PWG** **3.0** - **40** - **1** **PK** -     
Modified Part **PWG** **3.0** - **40** - **3** **DL** - **30** **K** **T**

PWG - Precision Worm Gear  
Quality Grade 8e25 DIN 3974/3967  
Other Quality Grades available.  
See page 296

m<sub>x</sub> Module - Cut with DIN 867 1.25/0.20/1.0  
Ref. Tooth Profile Topping WD = 2.25 x m<sub>x</sub>

Number of Teeth z<sub>2</sub>

Number of Starts (1, 2, 3 or 4) on Worm  
to be specified by customer

Ratio =  $\frac{(z_2) \text{ No. of teeth on wheel}}{(z_1) \text{ No. of starts on worm}}$

T = 1 x Tapped hole 2T = 2 x Tapped holes.  
P = 1 x Pin Hole PT = 1 x Pin Hole thru.  
All threads metric as standard,  
refer to page 308 for sizes  
For prices see page 308

K- Keyway supplied to  
DIN 6885 - Js9 tolerance.  
For prices see page 308

To specify different bore enter size required  
Example: 30 = 30mm H7 etc  
For prices see page 308

PK = PEEK GF30® (Light Brown)  
DL = Delrin POM (White)

DIN 3967 Tooth Thickness tol.  
Zi worm profile

**Discounts: 6+ -5% 19+ -10%**

Part Number PEEK GF30® Delrin (POM)	No. of Teeth z <sub>2</sub>	Centre Distance a	Ref Dia. d <sub>2</sub>	Wheel Throat d <sub>a2</sub>	Tip Dia. d <sub>e2</sub>	Bore Dia. H7 d <sub>i</sub>	Max Bore Dia. H7 d <sub>i</sub>	Hub Dia. D <sub>hub</sub>	Theoretical Backlash (mm)		Torque n <sub>1</sub> 100min <sup>-1</sup> T <sub>2</sub> Nm*	Price Each 1 - 5	
									J <sub>t,e</sub> (max)	J <sub>t,i</sub> (min)		PEEK®	Delrin
PWG3.0-15-1PK PWG3.0-15-1DL	15	42.50	45	51	54	12	30	35	0.117	0.038	16.60	£147.43	£39.71
PWG3.0-16-1PK PWG3.0-16-1DL	16	44.00	48	54	57	12	30	35	0.117	0.038	18.64	£153.03	£41.22
PWG3.0-17-1PK PWG3.0-17-1DL	17	45.50	51	57	60	12	30	35	0.137	0.048	20.79	£162.60	£43.79
PWG3.0-18-1PK PWG3.0-18-1DL	18	47.00	54	60	63	12	30	35	0.137	0.048	23.04	£172.16	£46.37
PWG3.0-19-1PK PWG3.0-19-1DL	19	48.50	57	63	66	12	30	35	0.137	0.048	25.87	£181.72	£48.94
PWG3.0-20-1PK PWG3.0-20-1DL	20	50.00	60	66	69	12	30	35	0.137	0.048	28.37	£186.27	£50.16
PWG3.0-21-1PK PWG3.0-21-1DL	21	51.50	63	69	72	14	30	50	0.139	0.045	31.53	£200.85	£54.09
PWG3.0-22-1PK PWG3.0-22-1DL	22	53.00	66	72	75	14	30	50	0.139	0.045	34.29	£210.42	£56.67
PWG3.0-23-1PK PWG3.0-23-1DL	23	54.50	69	75	78	14	30	50	0.139	0.045	37.14	£217.37	£58.54
PWG3.0-24-1PK PWG3.0-24-1DL	24	56.00	72	78	81	14	30	50	0.139	0.045	40.82	£220.46	£59.37
PWG3.0-25-1PK PWG3.0-25-1DL	25	57.50	75	81	84	14	30	50	0.139	0.045	43.93	£224.30	£60.41
PWG3.0-26-1PK PWG3.0-26-1DL	26	59.00	78	84	87	14	30	50	0.139	0.045	47.14	£256.19	£69.00
PWG3.0-27-1PK PWG3.0-27-1DL	27	60.50	81	87	90	14	30	50	0.139	0.045	50.90	£274.58	£73.96
PWG3.0-28-1PK PWG3.0-28-1DL	28	62.00	84	90	93	14	30	50	0.139	0.045	54.34	£295.88	£79.69
PWG3.0-29-1PK PWG3.0-29-1DL	29	63.50	87	93	96	16	40	65	0.139	0.045	58.39	£309.66	£83.41
PWG3.0-30-1PK PWG3.0-30-1DL	30	65.00	90	96	99	16	40	65	0.139	0.045	62.06	£322.87	£86.97
PWG3.0-32-1PK PWG3.0-32-1DL	32	68.00	96	102	105	16	40	65	0.139	0.045	69.71	£381.81	£102.84
PWG3.0-35-1PK PWG3.0-35-1DL	35	72.50	105	111	114	16	40	65	0.139	0.045	81.91	£439.63	£118.41
PWG3.0-38-1PK PWG3.0-38-1DL	38	77.00	114	120	123	16	40	65	0.139	0.045	98.25	£495.91	£133.57
PWG3.0-40-1PK PWG3.0-40-1DL	40	80.00	120	126	129	16	40	65	0.139	0.045	107.75	£574.22	£154.67

\* Torque stated for Delrin POM. See Technical section for PEEK GF30® figures. Based on plastic wheel running on steel worm.

### Material

PEEK GF30® (Light Brown), Delrin POM (White)

+44 (0)1246 455500  
+44 (0)1246 455522

**ondrives**

sales@ondrives.com  
www.ondrives.com

Product information updated 1st April 2011 and subject to change. Please contact Sales for the latest prices and availability.