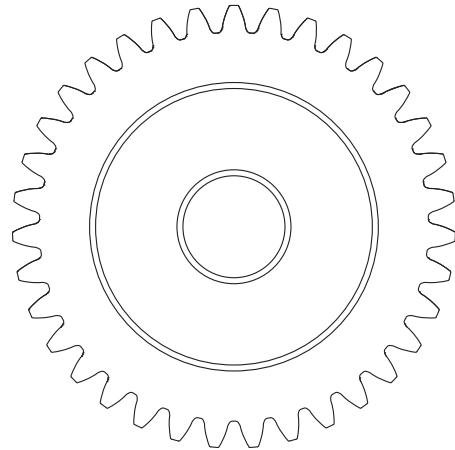
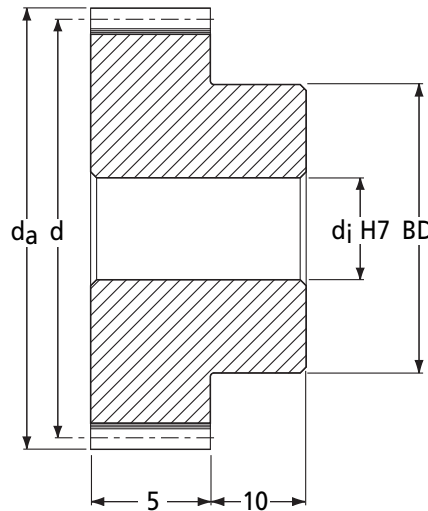


PSG-TI
0.5m_n

PRECISION GEARS

0.5 Module Titanium Spur Gear α 20° PA

Quality Grade 7e DIN 3961/58405 (AGMA Q10)



DIN 58405 Tooth Thickness tol.

Part Number	No. of Teeth z	Ref. Dia. d	Tip Dia. da	Bore H7 dj	Max. Bore H7 dj	Hub Dia. BD	Backlash (mm) jt.e (max) jt.i (min)	I Inertia kgm ²	Mass kg
PSG0.5-20TI	20	10.0	11.0	4	4	8	0.076 - 0.037	3.83 x 10 ⁻⁸	0.003
PSG0.5-21TI	21	10.5	11.5	4	4	8	0.077 - 0.036	4.30 x 10 ⁻⁸	0.003
PSG0.5-22TI	22	11.0	12.0	4	4	8	0.077 - 0.036	4.84 x 10 ⁻⁸	0.003
PSG0.5-23TI	23	11.5	12.5	4	4	8	0.077 - 0.036	5.46 x 10 ⁻⁸	0.004
PSG0.5-24TI	24	12.0	13.0	5	5	10	0.077 - 0.036	8.48 x 10 ⁻⁸	0.005
PSG0.5-25TI	25	12.5	13.5	5	5	10	0.087 - 0.042	9.27 x 10 ⁻⁸	0.005
PSG0.5-26TI	26	13.0	14.0	5	5	10	0.087 - 0.042	1.02 x 10 ⁻⁷	0.005
PSG0.5-27TI	27	13.5	14.5	5	5	10	0.087 - 0.042	1.12 x 10 ⁻⁷	0.005
PSG0.5-28TI	28	14.0	15.0	5	5	10	0.087 - 0.042	1.23 x 10 ⁻⁷	0.006
PSG0.5-29TI	29	14.5	15.5	6	6	13	0.087 - 0.042	2.12 x 10 ⁻⁷	0.008
PSG0.5-30TI	30	15.0	16.0	6	6	13	0.087 - 0.042	2.25 x 10 ⁻⁷	0.008
PSG0.5-32TI	32	16.0	17.0	6	6	13	0.087 - 0.042	2.57 x 10 ⁻⁷	0.008
PSG0.5-35TI	35	17.5	18.5	6	6	13	0.087 - 0.042	3.18 x 10 ⁻⁷	0.009
PSG0.5-38TI	38	19.0	20.0	6	8	17	0.089 - 0.041	6.35 x 10 ⁻⁷	0.014
PSG0.5-40TI	40	20.0	21.0	6	8	17	0.089 - 0.041	6.99 x 10 ⁻⁷	0.015
PSG0.5-42TI	42	21.0	22.0	6	8	17	0.089 - 0.041	7.73 x 10 ⁻⁷	0.016
PSG0.5-45TI	45	22.5	23.5	6	8	17	0.089 - 0.041	9.06 x 10 ⁻⁷	0.017
PSG0.5-48TI	48	24.0	25.0	6	8	17	0.089 - 0.041	1.07 x 10 ⁻⁶	0.018
PSG0.5-50TI	50	25.0	26.0	6	8	17	0.089 - 0.041	1.19 x 10 ⁻⁶	0.019
PSG0.5-52TI	52	26.0	27.0	6	8	17	0.097 - 0.046	1.34 x 10 ⁻⁶	0.020
PSG0.5-55TI	55	27.5	28.5	6	8	17	0.097 - 0.046	1.58 x 10 ⁻⁶	0.021
PSG0.5-58TI	58	29.0	30.0	6	8	17	0.097 - 0.046	1.88 x 10 ⁻⁶	0.023
PSG0.5-60TI	60	30.0	31.0	6	8	17	0.097 - 0.046	2.10 x 10 ⁻⁶	0.024
PSG0.5-62TI	62	31.0	32.0	8	10	20	0.098 - 0.044	2.65 x 10 ⁻⁶	0.027
PSG0.5-65TI	65	32.5	33.5	8	10	20	0.098 - 0.044	3.07 x 10 ⁻⁶	0.029
PSG0.5-68TI	68	34.0	35.0	8	10	20	0.098 - 0.044	3.54 x 10 ⁻⁶	0.030
PSG0.5-70TI	70	35.0	36.0	8	10	20	0.098 - 0.044	3.90 x 10 ⁻⁶	0.032
PSG0.5-72TI	72	36.0	37.0	8	10	20	0.098 - 0.044	4.28 x 10 ⁻⁶	0.033
PSG0.5-75TI	75	37.5	38.5	8	10	20	0.098 - 0.044	4.92 x 10 ⁻⁶	0.035
PSG0.5-78TI	78	39.0	40.0	8	10	20	0.098 - 0.044	5.65 x 10 ⁻⁶	0.037
PSG0.5-80TI	80	40.0	41.0	8	12	25	0.098 - 0.044	7.18 x 10 ⁻⁶	0.046
PSG0.5-82TI	82	41.0	42.0	8	12	25	0.098 - 0.044	7.75 x 10 ⁻⁶	0.047
PSG0.5-85TI	85	42.5	43.5	8	12	25	0.098 - 0.044	8.69 x 10 ⁻⁶	0.050
PSG0.5-90TI	90	45.0	46.0	8	12	25	0.098 - 0.044	1.05 x 10 ⁻⁵	0.053
PSG0.5-100TI	100	50.0	51.0	10	16	30	0.098 - 0.044	1.69 x 10 ⁻⁵	0.069
PSG0.5-120TI	120	60.0	61.0	10	20	35	0.111 - 0.049	3.44 x 10 ⁻⁵	0.100
PSG0.5-130TI	130	65.0	66.0	10	20	35	0.111 - 0.049	4.49 x 10 ⁻⁵	0.110
PSG0.5-140TI	140	70.0	71.0	10	20	35	0.111 - 0.049	5.82 x 10 ⁻⁵	0.122
PSG0.5-150TI	150	75.0	76.0	10	25	40	0.111 - 0.049	7.93 x 10 ⁻⁵	0.148
PSG0.5-200TI	200	100.0	101.0	14	30	50	0.113 - 0.047	2.43 x 10 ⁻⁴	0.250
PSG0.5-250TI	250	125.0	126.0	16	40	60	0.140 - 0.062	5.84 x 10 ⁻⁴	0.382

+44 (0)1246 455500
+44 (0)1246 455522

ondrives

sales@ondrives.com
www.ondrives.com

Product information updated 1st April 2011 and subject to change. Please contact Sales for the latest prices and availability.

PRECISION GEARS

PSG-TI
0.5m_n

0.5 Module Titanium Spur Gear α 20° PA

Quality Grade 7e DIN 3961/58405 (AGMA Q10)

Standard Part **PSG** **0.5** **50** **TI**
Modified Part **PSG** **0.5** **50** **TI** **8** **T**

PSG - Precision Spur Gear
Quality Grade 7e DIN 3961/58405
Other Quality Grades available.
See page 291

m_n Module - Cut with DIN 867 1.25/0.20/1.0
Ref. Tooth Profile Topping WD = 2.25 x m_n

Number of Teeth z

T = 1 x Tapped hole 2T = 2 x Tapped holes.
P = 1 x Pin Hole PT = 1 x Pin Hole thru.
All threads metric as standard,
refer to page 308 for sizes and prices.

To specify different bore enter size required
Example: 8 = 8mm H7 etc
For prices see page 308

Standard Material = Titanium Ti-6Al-4V
(Grade 5)

η Efficiency approx. 98%

Discounts: 6+ -5% 19+ -10%

Part Number	Titanium (Grade 5)	
	T ₂ Nm n ₂ 100min ⁻¹	Price Each 1 - 5
PSG0.5-20TI	0.11	£55.96
PSG0.5-21TI	0.11	£56.52
PSG0.5-22TI	0.12	£57.26
PSG0.5-23TI	0.12	£57.93
PSG0.5-24TI	0.13	£58.62
PSG0.5-25TI	0.13	£59.24
PSG0.5-26TI	0.16	£60.10
PSG0.5-27TI	0.17	£60.72
PSG0.5-28TI	0.18	£61.34
PSG0.5-29TI	0.18	£61.70
PSG0.5-30TI	0.21	£61.96
PSG0.5-32TI	0.22	£63.44
PSG0.5-35TI	0.24	£65.60
PSG0.5-38TI	0.26	£67.57
PSG0.5-40TI	0.35	£69.05
PSG0.5-42TI	0.37	£70.29
PSG0.5-45TI	0.40	£72.46
PSG0.5-48TI	0.42	£75.29
PSG0.5-50TI	0.52	£76.10
PSG0.5-52TI	0.54	£77.21
PSG0.5-55TI	0.58	£78.82
PSG0.5-58TI	0.61	£80.43
PSG0.5-60TI	0.75	£81.29
PSG0.5-62TI	0.77	£82.27
PSG0.5-65TI	0.81	£84.07
PSG0.5-68TI	0.85	£84.63
PSG0.5-70TI	0.87	£85.55
PSG0.5-72TI	0.90	£86.35
PSG0.5-75TI	0.93	£87.03
PSG0.5-78TI	0.97	£88.29
PSG0.5-80TI	1.11	£88.95
PSG0.5-82TI	1.14	£89.92
PSG0.5-85TI	1.18	£90.82
PSG0.5-90TI	1.25	£92.34
PSG0.5-100TI	1.42	£93.71
PSG0.5-120TI	1.71	£113.53
PSG0.5-130TI	1.85	£130.22
PSG0.5-140TI	1.99	£135.64
PSG0.5-150TI	2.18	£147.69
PSG0.5-200TI	2.94	£182.03
PSG0.5-250TI	3.68	£218.35

+44 (0)1246 455500
+44 (0)1246 455522

ondrives

sales@ondrives.com
www.ondrives.com

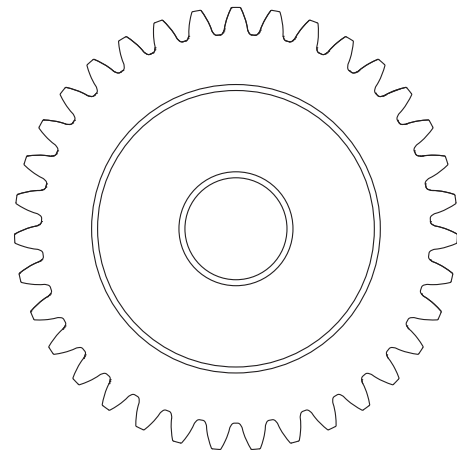
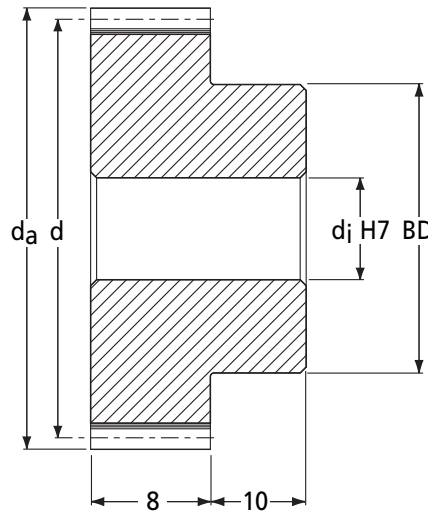
Product information updated 1st April 2011 and subject to change. Please contact Sales for the latest prices and availability.

PSG-TI
0.8m_n

PRECISION GEARS

0.8 Module Titanium Spur Gear α 20° PA

Quality Grade 7e DIN 3961/58405 (AGMA Q10)



DIN 58405 Tooth Thickness tol.

Part Number	No. of Teeth z	Ref. Dia. d	Tip Dia. d _a	Bore H7 d _j	Max. Bore H7 d _j	Hub Dia. BD	Backlash (mm) j _{t,e} (max) j _{t,i} (min)	I Inertia kgm ²	Mass kg
PSG0.8-18TI	18	14.4	16.0	5	6	11	0.096 - 0.047	2.13 x 10 ⁻⁷	0.008
PSG0.8-19TI	19	15.2	16.8	5	6	11	0.096 - 0.047	2.50 x 10 ⁻⁷	0.009
PSG0.8-20TI	20	16.0	17.6	5	6	11	0.096 - 0.047	2.92 x 10 ⁻⁷	0.010
PSG0.8-21TI	21	16.8	18.4	5	6	12	0.096 - 0.047	3.67 x 10 ⁻⁷	0.011
PSG0.8-22TI	22	17.6	19.2	5	6	12	0.096 - 0.047	4.24 x 10 ⁻⁷	0.012
PSG0.8-23TI	23	18.4	20.0	5	6	12	0.097 - 0.046	4.88 x 10 ⁻⁷	0.013
PSG0.8-24TI	24	19.2	20.8	6	8	14	0.097 - 0.046	6.33 x 10 ⁻⁷	0.015
PSG0.8-25TI	25	20.0	21.6	6	8	14	0.097 - 0.046	7.17 x 10 ⁻⁷	0.016
PSG0.8-26TI	26	20.8	22.4	6	8	14	0.097 - 0.046	8.10 x 10 ⁻⁷	0.016
PSG0.8-27TI	27	21.6	23.2	6	8	14	0.097 - 0.046	9.16 x 10 ⁻⁷	0.017
PSG0.8-28TI	28	22.4	24.0	8	10	18	0.097 - 0.046	1.30 x 10 ⁻⁶	0.021
PSG0.8-29TI	29	23.2	24.8	8	10	18	0.097 - 0.046	1.43 x 10 ⁻⁶	0.022
PSG0.8-30TI	30	24.0	25.6	8	10	18	0.097 - 0.046	1.58 x 10 ⁻⁶	0.023
PSG0.8-32TI	32	25.6	27.2	8	10	18	0.108 - 0.052	1.91 x 10 ⁻⁶	0.025
PSG0.8-35TI	35	28.0	29.6	10	12	20	0.108 - 0.052	2.74 x 10 ⁻⁶	0.029
PSG0.8-38TI	38	30.4	32.0	10	12	20	0.109 - 0.050	3.57 x 10 ⁻⁶	0.033
PSG0.8-40TI	40	32.0	33.6	10	12	20	0.109 - 0.050	4.23 x 10 ⁻⁶	0.036
PSG0.8-42TI	42	33.6	35.2	10	12	20	0.109 - 0.050	5.01 x 10 ⁻⁶	0.039
PSG0.8-45TI	45	36.0	37.6	10	12	20	0.109 - 0.050	6.40 x 10 ⁻⁶	0.043
PSG0.8-48TI	48	38.4	40.0	10	18	30	0.109 - 0.050	1.09 x 10 ⁻⁵	0.066
PSG0.8-50TI	50	40.0	41.6	10	18	30	0.109 - 0.050	1.23 x 10 ⁻⁵	0.069
PSG0.8-52TI	52	41.6	43.2	10	18	30	0.109 - 0.050	1.38 x 10 ⁻⁵	0.073
PSG0.8-55TI	55	44.0	45.6	10	18	30	0.109 - 0.050	1.63 x 10 ⁻⁵	0.078
PSG0.8-58TI	58	46.4	48.0	10	18	30	0.109 - 0.050	1.94 x 10 ⁻⁵	0.084
PSG0.8-60TI	60	48.0	49.6	10	25	40	0.109 - 0.050	2.93 x 10 ⁻⁵	0.113
PSG0.8-62TI	62	49.6	51.2	10	25	40	0.109 - 0.050	3.19 x 10 ⁻⁵	0.117
PSG0.8-65TI	65	52.0	53.6	10	25	40	0.122 - 0.055	3.62 x 10 ⁻⁵	0.124
PSG0.8-68TI	68	54.4	56.0	10	25	40	0.122 - 0.055	4.12 x 10 ⁻⁵	0.131
PSG0.8-70TI	70	56.0	57.6	10	25	40	0.122 - 0.055	4.49 x 10 ⁻⁵	0.136
PSG0.8-72TI	72	57.6	59.2	10	25	40	0.122 - 0.055	4.89 x 10 ⁻⁵	0.141
PSG0.8-75TI	75	60.0	61.6	10	30	50	0.122 - 0.055	7.17 x 10 ⁻⁵	0.180
PSG0.8-78TI	78	62.4	64.0	10	30	50	0.122 - 0.055	7.93 x 10 ⁻⁵	0.188
PSG0.8-80TI	80	64.0	65.6	10	30	50	0.122 - 0.055	8.48 x 10 ⁻⁵	0.194
PSG0.8-82TI	82	65.6	67.2	10	30	50	0.122 - 0.055	9.08 x 10 ⁻⁵	0.199
PSG0.8-85TI	85	68.0	69.6	10	30	50	0.122 - 0.055	1.01 x 10 ⁻⁴	0.208
PSG0.8-90TI	90	72.0	73.6	10	40	65	0.122 - 0.055	1.70 x 10 ⁻⁴	0.284
PSG0.8-95TI	95	76.0	77.6	10	40	65	0.122 - 0.055	1.92 x 10 ⁻⁴	0.300
PSG0.8-100TI	100	80.0	81.6	14	40	65	0.122 - 0.055	2.18 x 10 ⁻⁴	0.311
PSG0.8-110TI	110	88.0	89.6	14	40	70	0.123 - 0.053	3.11 x 10 ⁻⁴	0.372
PSG0.8-120TI	120	96.0	97.6	14	40	70	0.123 - 0.053	3.97 x 10 ⁻⁴	0.413

+44 (0)1246 455500
+44 (0)1246 455522

ondrives

sales@ondrives.com
www.ondrives.com

Product information updated 1st April 2011 and subject to change. Please contact Sales for the latest prices and availability.

PRECISION GEARS

PSG-TI
0.8m_n

0.8 Module Titanium Spur Gear α 20° PA

Quality Grade 7e DIN 3961/58405 (AGMA Q10)

Standard Part **PSG** **0.8** **50** **TI**
Modified Part **PSG** **0.8** **50** **TI** **12** **T**

PSG - Precision Spur Gear
Quality Grade 7e DIN 3961/58405
Other Quality Grades available.
See page 291

m_n Module - Cut with DIN 867 1.25/0.20/1.0
Ref. Tooth Profile Topping WD = 2.25 x m_n

Number of Teeth z

T = 1 x Tapped hole 2T = 2 x Tapped holes.
P = 1 x Pin Hole PT = 1 x Pin Hole thru.
All threads metric as standard,
refer to page 308 for sizes and prices.

To specify different bore enter size required
Example: 12 = 12mm H7 etc
For prices see page 308

Standard Material = Titanium Ti-6Al-4V
(Grade 5)

η Efficiency approx. 98%

Discounts: 6+ -5% 19+ -10%

Part Number	Titanium (Grade 5)	
	T ₂ Nm n ₂ 100min ⁻¹	Price Each 1 - 5
PSG0.8-18TI	0.28	£65.64
PSG0.8-19TI	0.30	£66.65
PSG0.8-20TI	0.40	£67.66
PSG0.8-21TI	0.42	£69.74
PSG0.8-22TI	0.44	£70.74
PSG0.8-23TI	0.46	£71.06
PSG0.8-24TI	0.48	£71.44
PSG0.8-25TI	0.50	£74.46
PSG0.8-26TI	0.61	£77.11
PSG0.8-27TI	0.63	£78.68
PSG0.8-28TI	0.66	£80.45
PSG0.8-29TI	0.68	£82.59
PSG0.8-30TI	0.77	£83.97
PSG0.8-32TI	0.82	£86.12
PSG0.8-35TI	0.90	£89.01
PSG0.8-38TI	0.98	£92.67
PSG0.8-40TI	1.32	£96.07
PSG0.8-42TI	1.38	£96.76
PSG0.8-45TI	1.48	£98.15
PSG0.8-48TI	1.58	£98.97
PSG0.8-50TI	1.95	£109.30
PSG0.8-52TI	2.03	£112.51
PSG0.8-55TI	2.15	£117.18
PSG0.8-58TI	2.26	£120.77
PSG0.8-60TI	2.79	£123.54
PSG0.8-62TI	2.88	£127.63
PSG0.8-65TI	3.02	£136.77
PSG0.8-68TI	3.16	£143.76
PSG0.8-70TI	3.25	£146.79
PSG0.8-72TI	3.34	£149.94
PSG0.8-75TI	3.48	£159.95
PSG0.8-78TI	3.62	£162.35
PSG0.8-80TI	4.56	£165.69
PSG0.8-82TI	4.68	£168.02
PSG0.8-85TI	4.85	£171.61
PSG0.8-90TI	5.13	£177.15
PSG0.8-95TI	5.42	£196.11
PSG0.8-100TI	5.84	£198.70
PSG0.8-110TI	6.13	£248.78
PSG0.8-120TI	6.42	£281.35

+44 (0)1246 455500
+44 (0)1246 455522

ondrives

sales@ondrives.com
www.ondrives.com

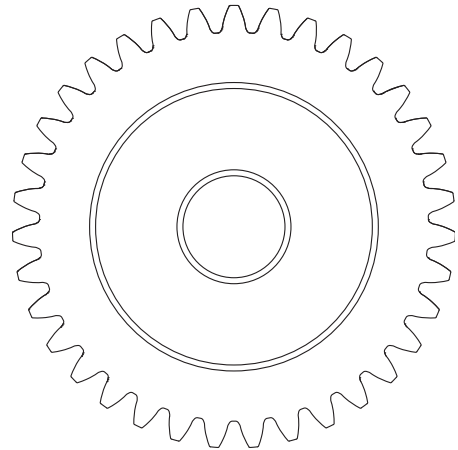
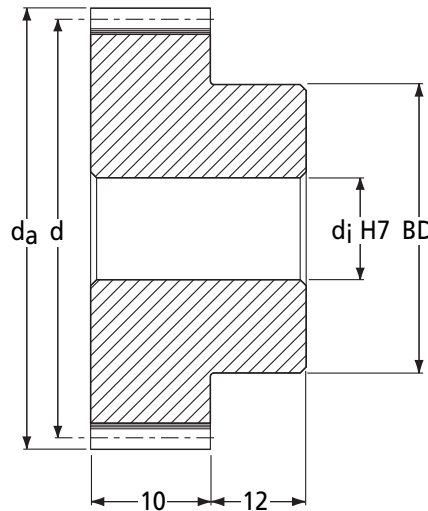
Product information updated 1st April 2011 and subject to change. Please contact Sales for the latest prices and availability.

PSG-TI
1.0m_n

PRECISION GEARS

1.0 Module Titanium Spur Gear α 20° PA

Quality Grade 7e25 DIN 3961/3967 (AGMA Q10)



DIN 3967 Tooth Thickness tol.

Part Number	No. of Teeth z	Ref. Dia. d	Tip Dia. da	Bore H7 dj	Max. Bore H7 dj	Hub Dia. BD	Backlash (mm)		I Inertia kgm ²	Mass kg
							jt.e (max)	jt.i (min)		
PSG1.0-18TI	18	18	20	5	8	15	0.127 - 0.053	7.30 x 10 ⁻⁷	0.019	
PSG1.0-19TI	19	19	21	5	8	15	0.128 - 0.052	8.40 x 10 ⁻⁷	0.020	
PSG1.0-20TI	20	20	22	5	8	15	0.128 - 0.052	9.69 x 10 ⁻⁷	0.021	
PSG1.0-21TI	21	21	23	5	8	15	0.128 - 0.052	1.12 x 10 ⁻⁶	0.023	
PSG1.0-22TI	22	22	24	5	8	15	0.128 - 0.052	1.29 x 10 ⁻⁶	0.024	
PSG1.0-23TI	23	23	25	5	8	15	0.128 - 0.052	1.49 x 10 ⁻⁶	0.026	
PSG1.0-24TI	24	24	26	6	10	20	0.128 - 0.052	2.28 x 10 ⁻⁶	0.034	
PSG1.0-25TI	25	25	27	6	10	20	0.128 - 0.052	2.53 x 10 ⁻⁶	0.035	
PSG1.0-26TI	26	26	28	6	10	20	0.128 - 0.052	2.82 x 10 ⁻⁶	0.037	
PSG1.0-27TI	27	27	29	6	10	20	0.128 - 0.052	3.14 x 10 ⁻⁶	0.039	
PSG1.0-28TI	28	28	30	6	10	20	0.128 - 0.052	3.50 x 10 ⁻⁶	0.041	
PSG1.0-29TI	29	29	31	8	12	25	0.128 - 0.052	5.07 x 10 ⁻⁶	0.050	
PSG1.0-30TI	30	30	32	8	12	25	0.128 - 0.052	5.51 x 10 ⁻⁶	0.052	
PSG1.0-32TI	32	32	34	8	12	25	0.129 - 0.051	6.54 x 10 ⁻⁶	0.056	
PSG1.0-35TI	35	35	37	8	12	25	0.129 - 0.051	8.48 x 10 ⁻⁶	0.063	
PSG1.0-38TI	38	38	40	10	18	34	0.129 - 0.051	1.59 x 10 ⁻⁵	0.090	
PSG1.0-40TI	40	40	42	10	18	34	0.129 - 0.051	1.79 x 10 ⁻⁵	0.096	
PSG1.0-42TI	42	42	44	10	18	34	0.129 - 0.051	2.03 x 10 ⁻⁵	0.101	
PSG1.0-45TI	45	45	47	10	18	34	0.129 - 0.051	2.45 x 10 ⁻⁵	0.110	
PSG1.0-48TI	48	48	50	10	18	34	0.129 - 0.051	2.97 x 10 ⁻⁵	0.120	
PSG1.0-50TI	50	50	52	10	18	34	0.129 - 0.051	3.38 x 10 ⁻⁵	0.127	
PSG1.0-52TI	52	52	54	10	22	40	0.171 - 0.069	4.47 x 10 ⁻⁵	0.152	
PSG1.0-55TI	55	55	57	10	22	40	0.171 - 0.069	5.26 x 10 ⁻⁵	0.163	
PSG1.0-58TI	58	58	60	10	22	40	0.171 - 0.069	6.19 x 10 ⁻⁵	0.175	
PSG1.0-60TI	60	60	62	10	22	40	0.171 - 0.069	6.90 x 10 ⁻⁵	0.183	
PSG1.0-62TI	62	62	64	10	22	40	0.171 - 0.069	7.68 x 10 ⁻⁵	0.192	
PSG1.0-65TI	65	65	67	10	28	50	0.171 - 0.069	1.09 x 10 ⁻⁴	0.242	
PSG1.0-68TI	68	68	70	10	28	50	0.171 - 0.069	1.24 x 10 ⁻⁴	0.256	
PSG1.0-70TI	70	70	72	10	28	50	0.171 - 0.069	1.36 x 10 ⁻⁴	0.266	
PSG1.0-72TI	72	72	74	10	28	50	0.171 - 0.069	1.48 x 10 ⁻⁴	0.275	
PSG1.0-75TI	75	75	77	10	28	50	0.171 - 0.069	1.69 x 10 ⁻⁴	0.291	
PSG1.0-78TI	78	78	80	10	35	60	0.171 - 0.069	2.27 x 10 ⁻⁴	0.352	
PSG1.0-80TI	80	80	82	10	35	60	0.171 - 0.069	2.44 x 10 ⁻⁴	0.363	
PSG1.0-82TI	82	82	84	10	35	60	0.173 - 0.067	2.62 x 10 ⁻⁴	0.375	
PSG1.0-85TI	85	85	87	10	35	60	0.173 - 0.067	2.92 x 10 ⁻⁴	0.392	
PSG1.0-90TI	90	90	92	10	35	60	0.173 - 0.067	3.50 x 10 ⁻⁴	0.422	
PSG1.0-95TI	95	95	97	10	35	60	0.173 - 0.067	4.18 x 10 ⁻⁴	0.454	
PSG1.0-100TI	100	100	102	14	40	70	0.173 - 0.067	5.56 x 10 ⁻⁴	0.535	
PSG1.0-110TI	110	110	112	14	40	70	0.173 - 0.067	7.56 x 10 ⁻⁴	0.607	
PSG1.0-120TI	120	120	122	14	40	70	0.173 - 0.067	1.02 x 10 ⁻³	0.687	

+44 (0)1246 455500
+44 (0)1246 455522

ondrives

sales@ondrives.com
www.ondrives.com

Product information updated 1st April 2011 and subject to change. Please contact Sales for the latest prices and availability.

PRECISION GEARS

PSG-TI
1.0m_n

1.0 Module Titanium Spur Gear α 20° PA

Quality Grade 7e25 DIN 3961/3967 (AGMA Q10)

Standard Part **PSG** **1.0** **50** **TI**
Modified Part **PSG** **1.0** **50** **TI** **12** **T**

PSG - Precision Spur Gear
Quality Grade 7e25 DIN 3961/3967
Other Quality Grades available.
See page 291

m_n Module - Cut with DIN 867 1.25/0.20/1.0
Ref. Tooth Profile Topping WD = 2.25 x m_n

Number of Teeth z

T = 1 x Tapped hole 2T = 2 x Tapped holes.
P = 1 x Pin Hole PT = 1 x Pin Hole thru.
All threads metric as standard,
refer to page 308 for sizes and prices.

To specify different bore enter size required
Example: 12 = 12mm H7 etc
For prices see page 308

Standard Material = Titanium Ti-6Al-4V
(Grade 5)

η Efficiency approx. 98%

Discounts: 6+ -5% 19+ -10%

Part Number	Titanium (Grade 5)	
	T ₂ Nm n ₂ 100min ⁻¹	Price Each 1 - 5
PSG1.0-18TI	0.53	£69.65
PSG1.0-19TI	0.56	£70.72
PSG1.0-20TI	0.74	£73.00
PSG1.0-21TI	0.78	£73.46
PSG1.0-22TI	0.82	£74.52
PSG1.0-23TI	0.85	£74.83
PSG1.0-24TI	0.89	£75.29
PSG1.0-25TI	0.93	£78.41
PSG1.0-26TI	1.14	£81.22
PSG1.0-27TI	1.18	£82.90
PSG1.0-28TI	1.22	£84.73
PSG1.0-29TI	1.27	£86.94
PSG1.0-30TI	1.44	£88.38
PSG1.0-32TI	1.54	£90.66
PSG1.0-35TI	1.68	£93.78
PSG1.0-38TI	1.83	£97.59
PSG1.0-40TI	2.46	£101.17
PSG1.0-42TI	2.58	£101.93
PSG1.0-45TI	2.77	£103.38
PSG1.0-48TI	2.95	£104.22
PSG1.0-50TI	3.64	£115.02
PSG1.0-52TI	3.79	£118.46
PSG1.0-55TI	4.01	£123.40
PSG1.0-58TI	4.23	£127.13
PSG1.0-60TI	5.20	£130.10
PSG1.0-62TI	5.38	£134.36
PSG1.0-65TI	5.64	£143.96
PSG1.0-68TI	5.90	£151.42
PSG1.0-70TI	6.07	£154.53
PSG1.0-72TI	6.24	£157.88
PSG1.0-75TI	6.50	£168.39
PSG1.0-78TI	6.76	£170.98
PSG1.0-80TI	8.88	£174.41
PSG1.0-82TI	9.10	£176.92
PSG1.0-85TI	9.44	£180.72
PSG1.0-90TI	9.99	£186.51
PSG1.0-95TI	10.55	£206.46
PSG1.0-100TI	11.40	£209.20
PSG1.0-110TI	12.54	£261.88
PSG1.0-120TI	13.68	£296.14

+44 (0)1246 455500
+44 (0)1246 455522

ondrives

sales@ondrives.com
www.ondrives.com

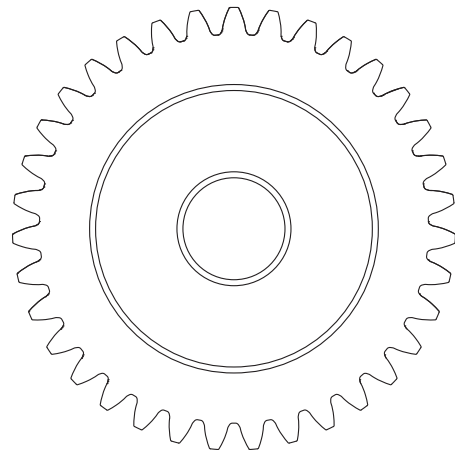
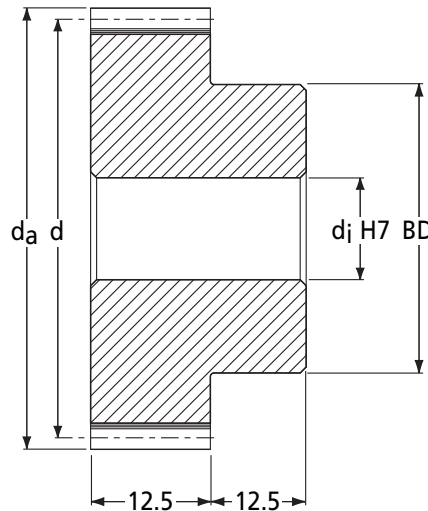
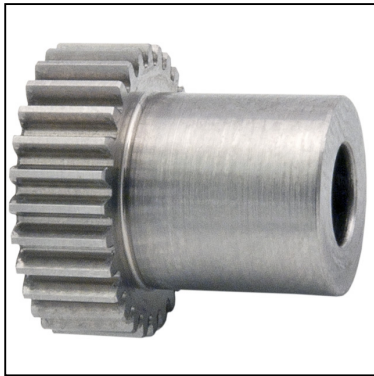
Product information updated 1st April 2011 and subject to change. Please contact Sales for the latest prices and availability.

PSG-TI
1.25m_n

PRECISION GEARS

1.25 Module Titanium Spur Gear α 20° PA

Quality Grade 7e25 DIN 3961/3967 (AGMA Q10)



DIN 3967 Tooth Thickness tol.

Part Number	No. of Teeth z	Ref. Dia. d	Tip Dia. da	Bore H7 di	Max. Bore H7 dj	Hub Dia. BD	Backlash (mm) jt.e (max) jt.i (min)	I Inertia kgm ²	Mass kg
PSG1.25-18TI	18	22.50	25.00	6	8	15	0.128 - 0.052	1.70 x 10 ⁻⁶	0.028
PSG1.25-19TI	19	23.75	26.25	6	8	15	0.128 - 0.052	2.04 x 10 ⁻⁶	0.031
PSG1.25-20TI	20	25.00	27.50	6	8	15	0.128 - 0.052	2.43 x 10 ⁻⁶	0.033
PSG1.25-21TI	21	26.25	28.75	8	12	20	0.128 - 0.052	3.45 x 10 ⁻⁶	0.041
PSG1.25-22TI	22	27.50	30.00	8	12	20	0.128 - 0.052	3.98 x 10 ⁻⁶	0.044
PSG1.25-23TI	23	28.75	31.25	8	12	20	0.128 - 0.052	4.58 x 10 ⁻⁶	0.047
PSG1.25-24TI	24	30.00	32.50	8	12	22	0.128 - 0.052	5.67 x 10 ⁻⁶	0.054
PSG1.25-25TI	25	31.25	33.75	8	12	22	0.129 - 0.051	6.44 x 10 ⁻⁶	0.057
PSG1.25-26TI	26	32.50	35.00	8	12	22	0.129 - 0.051	7.32 x 10 ⁻⁶	0.061
PSG1.25-27TI	27	33.75	36.25	8	12	22	0.129 - 0.051	8.29 x 10 ⁻⁶	0.064
PSG1.25-28TI	28	35.00	37.50	8	15	25	0.129 - 0.051	1.02 x 10 ⁻⁵	0.074
PSG1.25-29TI	29	36.25	38.75	8	15	25	0.129 - 0.051	1.15 x 10 ⁻⁵	0.078
PSG1.25-30TI	30	37.50	40.00	8	15	25	0.129 - 0.051	1.28 x 10 ⁻⁵	0.082
PSG1.25-32TI	32	40.00	42.50	8	15	25	0.129 - 0.051	1.59 x 10 ⁻⁵	0.090
PSG1.25-35TI	35	43.75	46.25	10	18	30	0.129 - 0.051	2.41 x 10 ⁻⁵	0.113
PSG1.25-38TI	38	47.50	50.00	10	18	30	0.129 - 0.051	3.18 x 10 ⁻⁵	0.127
PSG1.25-40TI	40	50.00	52.50	10	18	30	0.129 - 0.051	3.80 x 10 ⁻⁵	0.138
PSG1.25-42TI	42	52.50	55.00	10	18	30	0.171 - 0.069	4.52 x 10 ⁻⁵	0.149
PSG1.25-45TI	45	56.25	58.75	10	18	30	0.171 - 0.069	5.82 x 10 ⁻⁵	0.166
PSG1.25-48TI	48	60.00	62.50	10	25	40	0.171 - 0.069	8.35 x 10 ⁻⁵	0.216
PSG1.25-50TI	50	62.50	65.00	10	25	40	0.171 - 0.069	9.59 x 10 ⁻⁵	0.229
PSG1.25-52TI	52	65.00	67.50	10	25	40	0.171 - 0.069	1.10 x 10 ⁻⁴	0.243
PSG1.25-55TI	55	68.75	71.25	10	25	40	0.171 - 0.069	1.34 x 10 ⁻⁴	0.264
PSG1.25-58TI	58	72.50	75.00	10	25	40	0.171 - 0.069	1.62 x 10 ⁻⁴	0.287
PSG1.25-60TI	60	75.00	77.50	10	30	50	0.171 - 0.069	2.04 x 10 ⁻⁴	0.342
PSG1.25-62TI	62	77.50	80.00	10	30	50	0.171 - 0.069	2.28 x 10 ⁻⁴	0.359
PSG1.25-65TI	65	81.25	83.75	10	30	50	0.173 - 0.067	2.68 x 10 ⁻⁴	0.384
PSG1.25-68TI	68	85.00	87.50	10	30	50	0.173 - 0.067	3.15 x 10 ⁻⁴	0.411
PSG1.25-70TI	70	87.50	90.00	10	30	50	0.173 - 0.067	3.49 x 10 ⁻⁴	0.430
PSG1.25-72TI	72	90.00	92.50	10	30	50	0.173 - 0.067	3.87 x 10 ⁻⁴	0.449
PSG1.25-75TI	75	93.75	96.25	10	35	60	0.173 - 0.067	4.86 x 10 ⁻⁴	0.527
PSG1.25-78TI	78	97.50	100.00	10	35	60	0.173 - 0.067	5.57 x 10 ⁻⁴	0.558
PSG1.25-80TI	80	100.00	102.50	10	35	60	0.173 - 0.067	6.08 x 10 ⁻⁴	0.579
PSG1.25-82TI	82	102.50	105.00	10	35	60	0.173 - 0.067	6.64 x 10 ⁻⁴	0.601
PSG1.25-85TI	85	106.25	108.75	10	35	60	0.173 - 0.067	7.56 x 10 ⁻⁴	0.635
PSG1.25-90TI	90	112.50	115.00	10	40	65	0.173 - 0.067	9.59 x 10 ⁻⁴	0.721
PSG1.25-95TI	95	118.75	121.25	10	40	65	0.173 - 0.067	1.17 x 10 ⁻³	0.784
PSG1.25-100TI	100	125.00	127.50	14	40	65	0.175 - 0.065	1.41 x 10 ⁻³	0.841
PSG1.25-110TI	110	137.50	140.00	14	40	70	0.227 - 0.097	2.06 x 10 ⁻³	1.013
PSG1.25-120TI	120	150.00	152.50	14	40	70	0.227 - 0.097	2.86 x 10 ⁻³	1.168

+44 (0)1246 455500
+44 (0)1246 455522

ondrives

sales@ondrives.com
www.ondrives.com

Product information updated 1st April 2011 and subject to change. Please contact Sales for the latest prices and availability.

PRECISION GEARS

PSG-TI
1.25m_n

1.25 Module Titanium Spur Gear α 20° PA

Quality Grade 7e25 DIN 3961/3967 (AGMA Q10)

Standard Part **PSG 1.25-50 TI**
Modified Part **PSG 1.25-50 TI 12 T**

PSG - Precision Spur Gear
Quality Grade 7e25 DIN 3961/3967
Other Quality Grades available.
See page 291

m_n Module - Cut with DIN 867 1.25/0.20/1.0
Ref. Tooth Profile Topping WD = 2.25 x m_n

Number of Teeth z

T = 1 x Tapped hole 2T = 2 x Tapped holes.
P = 1 x Pin Hole PT = 1 x Pin Hole thru.
All threads metric as standard,
refer to page 308 for sizes and prices.

To specify different bore enter size required
Example: 12 = 12mm H7 etc
For prices see page 308

Standard Material = Titanium Ti-6Al-4V
(Grade 5)

η Efficiency approx. 98%

Discounts: 6+ -5% 19+ -10%

Part Number	Titanium (Grade 5)	
	T ₂ Nm n ₂ 100min ⁻¹	Price Each 1 - 5
PSG1.25-18TI	0.99	£87.06
PSG1.25-19TI	1.04	£88.38
PSG1.25-20TI	1.39	£89.71
PSG1.25-21TI	1.46	£92.54
PSG1.25-22TI	1.53	£93.87
PSG1.25-23TI	1.60	£94.31
PSG1.25-24TI	1.67	£94.81
PSG1.25-25TI	1.74	£98.72
PSG1.25-26TI	2.12	£102.31
PSG1.25-27TI	2.21	£104.39
PSG1.25-28TI	2.29	£106.72
PSG1.25-29TI	2.37	£109.49
PSG1.25-30TI	2.70	£111.38
PSG1.25-32TI	2.88	£114.21
PSG1.25-35TI	3.14	£118.12
PSG1.25-38TI	3.41	£122.91
PSG1.25-40TI	4.59	£127.44
PSG1.25-42TI	4.82	£128.39
PSG1.25-45TI	5.17	£130.22
PSG1.25-48TI	5.51	£131.29
PSG1.25-50TI	6.81	£144.96
PSG1.25-52TI	7.08	£149.24
PSG1.25-55TI	7.49	£155.48
PSG1.25-58TI	7.90	£160.14
PSG1.25-60TI	9.72	£163.86
PSG1.25-62TI	10.04	£169.28
PSG1.25-65TI	10.53	£181.37
PSG1.25-68TI	11.02	£190.70
PSG1.25-70TI	11.34	£194.67
PSG1.25-72TI	11.66	£198.89
PSG1.25-75TI	12.15	£212.18
PSG1.25-78TI	12.64	£215.39
PSG1.25-80TI	16.59	£219.74
PSG1.25-82TI	17.00	£222.89
PSG1.25-85TI	17.63	£227.68
PSG1.25-90TI	18.66	£234.99
PSG1.25-95TI	19.70	£260.12
PSG1.25-100TI	22.26	£263.59
PSG1.25-110TI	23.37	£329.99
PSG1.25-120TI	24.49	£373.14

+44 (0)1246 455500
+44 (0)1246 455522

ondrives

sales@ondrives.com
www.ondrives.com

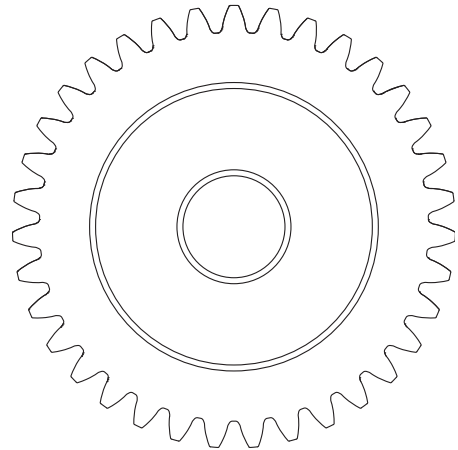
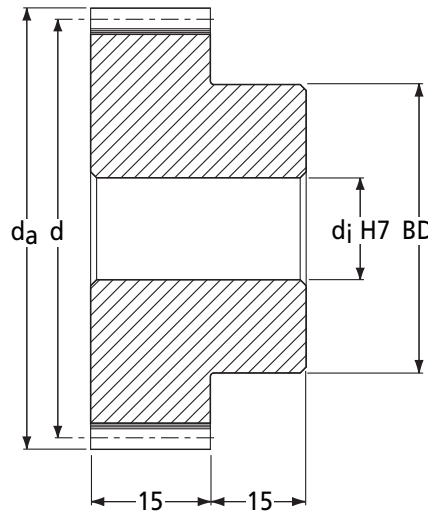
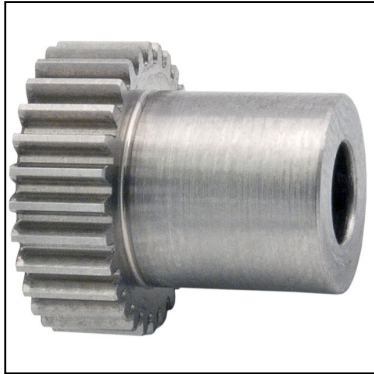
Product information updated 1st April 2011 and subject to change. Please contact Sales for the latest prices and availability.

PSG-TI
1.5m_n

PRECISION GEARS

1.5 Module Titanium Spur Gear α 20° PA

Quality Grade 7e25 DIN 3961/3967 (AGMA Q10)



DIN 3967 Tooth Thickness tol.

Part Number	No. of Teeth z	Ref. Dia. d	Tip Dia. d _a	Bore H7 d _i	Max. Bore H7 d _j	Hub Dia. BD	Backlash (mm) j _{t,e} (max) j _{t,i} (min)	I Inertia kgm ²	Mass kg
PSG1.5-18TI	18	27.0	30.0	6	12	22	0.128 - 0.052	5.10 x 10 ⁻⁶	0.059
PSG1.5-19TI	19	28.5	31.5	6	12	22	0.128 - 0.052	5.93 x 10 ⁻⁶	0.063
PSG1.5-20TI	20	30.0	33.0	6	12	22	0.128 - 0.052	6.91 x 10 ⁻⁶	0.068
PSG1.5-21TI	21	31.5	34.5	8	14	25	0.129 - 0.051	9.03 x 10 ⁻⁶	0.077
PSG1.5-22TI	22	33.0	36.0	8	14	25	0.129 - 0.051	1.03 x 10 ⁻⁵	0.082
PSG1.5-23TI	23	34.5	37.5	8	14	25	0.129 - 0.051	1.18 x 10 ⁻⁵	0.087
PSG1.5-24TI	24	36.0	39.0	8	14	25	0.129 - 0.051	1.35 x 10 ⁻⁵	0.093
PSG1.5-25TI	25	37.5	40.5	8	14	25	0.129 - 0.051	1.55 x 10 ⁻⁵	0.098
PSG1.5-26TI	26	39.0	42.0	8	14	25	0.129 - 0.051	1.76 x 10 ⁻⁵	0.104
PSG1.5-27TI	27	40.5	43.5	8	14	25	0.129 - 0.051	2.01 x 10 ⁻⁵	0.110
PSG1.5-28TI	28	42.0	45.0	8	14	25	0.129 - 0.051	2.28 x 10 ⁻⁵	0.117
PSG1.5-29TI	29	43.5	46.5	10	20	35	0.129 - 0.051	3.30 x 10 ⁻⁵	0.151
PSG1.5-30TI	30	45.0	48.0	10	20	35	0.129 - 0.051	3.63 x 10 ⁻⁵	0.158
PSG1.5-32TI	32	48.0	51.0	10	20	35	0.129 - 0.051	4.41 x 10 ⁻⁵	0.172
PSG1.5-35TI	35	52.5	55.5	10	20	35	0.171 - 0.069	5.89 x 10 ⁻⁵	0.195
PSG1.5-38TI	38	57.0	60.0	12	25	45	0.171 - 0.069	9.48 x 10 ⁻⁵	0.258
PSG1.5-40TI	40	60.0	63.0	12	25	45	0.171 - 0.069	1.10 x 10 ⁻⁴	0.276
PSG1.5-42TI	42	63.0	66.0	12	25	45	0.171 - 0.069	1.28 x 10 ⁻⁴	0.295
PSG1.5-45TI	45	67.5	70.5	12	25	45	0.171 - 0.069	1.61 x 10 ⁻⁴	0.326
PSG1.5-48TI	48	72.0	75.0	12	25	45	0.171 - 0.069	2.00 x 10 ⁻⁴	0.358
PSG1.5-50TI	50	75.0	78.0	14	30	55	0.171 - 0.069	2.63 x 10 ⁻⁴	0.428
PSG1.5-52TI	52	78.0	81.0	14	30	55	0.171 - 0.069	2.98 x 10 ⁻⁴	0.451
PSG1.5-55TI	55	82.5	85.5	14	30	55	0.173 - 0.067	3.58 x 10 ⁻⁴	0.489
PSG1.5-58TI	58	87.0	90.0	14	30	55	0.173 - 0.067	4.29 x 10 ⁻⁴	0.528
PSG1.5-60TI	60	90.0	93.0	14	30	55	0.173 - 0.067	4.83 x 10 ⁻⁴	0.556
PSG1.5-62TI	62	93.0	96.0	14	30	55	0.173 - 0.067	5.42 x 10 ⁻⁴	0.584
PSG1.5-65TI	65	97.5	100.5	14	30	55	0.173 - 0.067	6.42 x 10 ⁻⁴	0.629
PSG1.5-68TI	68	102.0	105.0	16	40	65	0.173 - 0.067	8.14 x 10 ⁻⁴	0.732
PSG1.5-70TI	70	105.0	108.0	16	40	65	0.173 - 0.067	9.00 x 10 ⁻⁴	0.764
PSG1.5-72TI	72	108.0	111.0	16	40	65	0.173 - 0.067	9.94 x 10 ⁻⁴	0.797
PSG1.5-75TI	75	112.5	115.5	16	40	65	0.173 - 0.067	1.15 x 10 ⁻³	0.849
PSG1.5-78TI	78	117.0	120.0	16	40	65	0.173 - 0.067	1.33 x 10 ⁻³	0.902
PSG1.5-80TI	80	120.0	123.0	16	40	65	0.173 - 0.067	1.45 x 10 ⁻³	0.939
PSG1.5-82TI	82	123.0	126.0	16	40	65	0.175 - 0.065	1.59 x 10 ⁻³	0.977
PSG1.5-85TI	85	127.5	130.5	16	40	65	0.227 - 0.097	1.82 x 10 ⁻³	1.035
PSG1.5-88TI	88	132.0	135.0	16	40	65	0.227 - 0.097	2.08 x 10 ⁻³	1.096
PSG1.5-90TI	90	135.0	138.0	16	40	65	0.227 - 0.097	2.26 x 10 ⁻³	1.138
PSG1.5-92TI	92	138.0	141.0	16	40	65	0.227 - 0.097	2.46 x 10 ⁻³	1.180
PSG1.5-95TI	95	142.5	145.5	16	40	65	0.227 - 0.097	2.78 x 10 ⁻³	1.246
PSG1.5-98TI	98	147.0	150.0	16	40	65	0.227 - 0.097	3.13 x 10 ⁻³	1.313

+44 (0)1246 455500
+44 (0)1246 455522

ondrives

sales@ondrives.com
www.ondrives.com

Product information updated 1st April 2011 and subject to change. Please contact Sales for the latest prices and availability.

PRECISION GEARS

PSG-TI
1.5m_n

1.5 Module Titanium Spur Gear α 20° PA

Quality Grade 7e25 DIN 3961/3967 (AGMA Q10)

Standard Part **PSG** **1.5** **50** **TI**
Modified Part **PSG** **1.5** **50** **TI** **16** **T**

PSG - Precision Spur Gear
Quality Grade 7e25 DIN 3961/3967
Other Quality Grades available.
See page 291

m_n Module - Cut with DIN 867 1.25/0.20/1.0
Ref. Tooth Profile Topping WD = 2.25 x m_n

Number of Teeth z

T = 1 x Tapped hole 2T = 2 x Tapped holes.
P = 1 x Pin Hole PT = 1 x Pin Hole thru.
All threads metric as standard,
refer to page 308 for sizes and prices.

To specify different bore enter size required
Example: 16 = 16mm H7 etc
For prices see page 308

Standard Material = Titanium Ti-6Al-4V
(Grade 5)

η Efficiency approx. 98%

Discounts: 6+ -5% 19+ -10%

Part Number	Titanium (Grade 5)	
	T ₂ Nm n ₂ 100min ⁻¹	Price Each 1 - 5
PSG1.5-18TI	1.65	£91.16
PSG1.5-19TI	1.74	£94.62
PSG1.5-20TI	2.31	£99.41
PSG1.5-21TI	2.43	£100.23
PSG1.5-22TI	2.54	£101.36
PSG1.5-23TI	2.66	£103.19
PSG1.5-24TI	2.78	£104.20
PSG1.5-25TI	2.89	£109.62
PSG1.5-26TI	3.54	£114.84
PSG1.5-27TI	3.67	£118.44
PSG1.5-28TI	3.81	£121.77
PSG1.5-29TI	3.95	£123.73
PSG1.5-30TI	4.49	£127.38
PSG1.5-32TI	4.79	£131.73
PSG1.5-35TI	5.24	£135.95
PSG1.5-38TI	5.69	£148.93
PSG1.5-40TI	7.65	£154.91
PSG1.5-42TI	8.03	£155.61
PSG1.5-45TI	8.61	£158.94
PSG1.5-48TI	9.18	£169.84
PSG1.5-50TI	11.34	£189.81
PSG1.5-52TI	11.79	£199.52
PSG1.5-55TI	12.47	£204.49
PSG1.5-58TI	13.15	£209.16
PSG1.5-60TI	16.19	£211.11
PSG1.5-62TI	16.73	£215.33
PSG1.5-65TI	17.54	£223.39
PSG1.5-68TI	18.35	£236.94
PSG1.5-70TI	18.89	£245.51
PSG1.5-72TI	19.43	£259.49
PSG1.5-75TI	20.24	£276.63
PSG1.5-78TI	21.05	£291.50
PSG1.5-80TI	27.64	£302.33
PSG1.5-82TI	28.33	£316.19
PSG1.5-85TI	29.37	£333.33
PSG1.5-88TI	30.40	£349.90
PSG1.5-90TI	31.10	£367.47
PSG1.5-92TI	31.79	£385.87
PSG1.5-95TI	32.82	£405.15
PSG1.5-98TI	33.86	£425.43

+44 (0)1246 455500
+44 (0)1246 455522

ondrives

sales@ondrives.com
www.ondrives.com

Product information updated 1st April 2011 and subject to change. Please contact Sales for the latest prices and availability.