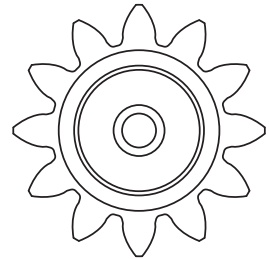
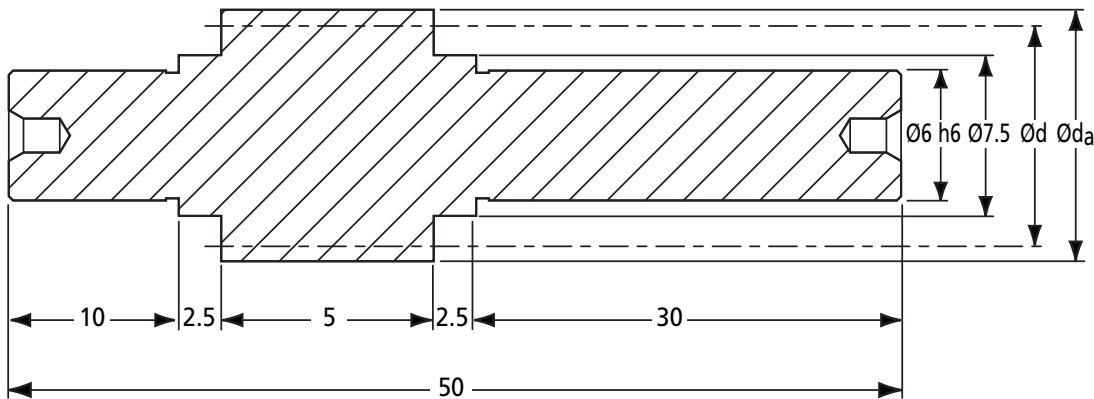


PPS
0.5m_n

PRECISION GEARS

0.5 Module Precision Pinion Shafts α 20° PA

Quality Grade 7e DIN 3961/58405 (AGMA Q10)



DIN 58405 Tooth Thickness tol.
η Efficiency approx. 98%

Discounts: 6+ -5% 19+ -10%

Part Number		No. of Teeth <i>z</i>	Ref. Dia. <i>d</i>	Tip Dia. <i>d_a</i>	<i>I</i> Inertia <i>kgm²</i>	Mass <i>kg</i>	817M40T (28HRC)		303 Stainless	
817M40T 28HRC	303 Stainless						<i>T₂</i> Nm <i>n₂100min⁻¹</i>	Price Each 1 - 5	<i>T₂</i> Nm <i>n₂100min⁻¹</i>	Price Each 1 - 5
PPS0.5-18	PPS0.5-18S	18	9.0	10.0	7.84 x 10 ⁻⁸	0.013	0.25	£27.14	0.15	£50.22
PPS0.5-19	PPS0.5-19S	19	9.5	10.5	8.45 x 10 ⁻⁸	0.013	0.27	£27.45	0.16	£50.78
PPS0.5-20	PPS0.5-20S	20	10.0	11.0	9.16 x 10 ⁻⁸	0.014	0.36	£27.97	0.21	£51.76
PPS0.5-21	PPS0.5-21S	21	10.5	11.5	9.99 x 10 ⁻⁸	0.014	0.37	£28.25	0.22	£52.26
PPS0.5-22	PPS0.5-22S	22	11.0	12.0	1.10 x 10 ⁻⁷	0.014	0.39	£28.62	0.23	£52.96
PPS0.5-23	PPS0.5-23S	23	11.5	12.5	1.20 x 10 ⁻⁷	0.015	0.41	£28.96	0.25	£53.58
PPS0.5-24	PPS0.5-24S	24	12.0	13.0	1.33 x 10 ⁻⁷	0.015	0.43	£29.29	0.26	£54.22
PPS0.5-25	PPS0.5-25S	25	12.5	13.5	1.47 x 10 ⁻⁷	0.015	0.44	£29.61	0.27	£54.78
PPS0.5-26	PPS0.5-26S	26	13.0	14.0	1.63 x 10 ⁻⁷	0.016	0.54	£30.05	0.33	£55.58
PPS0.5-27	PPS0.5-27S	27	13.5	14.5	1.81 x 10 ⁻⁷	0.016	0.57	£30.35	0.34	£56.15
PPS0.5-28	PPS0.5-28S	28	14.0	15.0	2.01 x 10 ⁻⁷	0.017	0.59	£30.67	0.35	£56.73
PPS0.5-29	PPS0.5-29S	29	14.5	15.5	2.23 x 10 ⁻⁷	0.017	0.61	£30.84	0.36	£57.07
PPS0.5-30	PPS0.5-30S	30	15.0	16.0	2.47 x 10 ⁻⁷	0.017	0.69	£30.96	0.41	£57.29

Other numbers of teeth available. Please contact Sales for details.

+44 (0)1246 455500
+44 (0)1246 455522

ondrives

sales@ondrives.com
www.ondrives.com

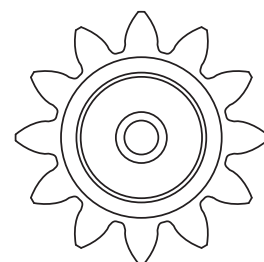
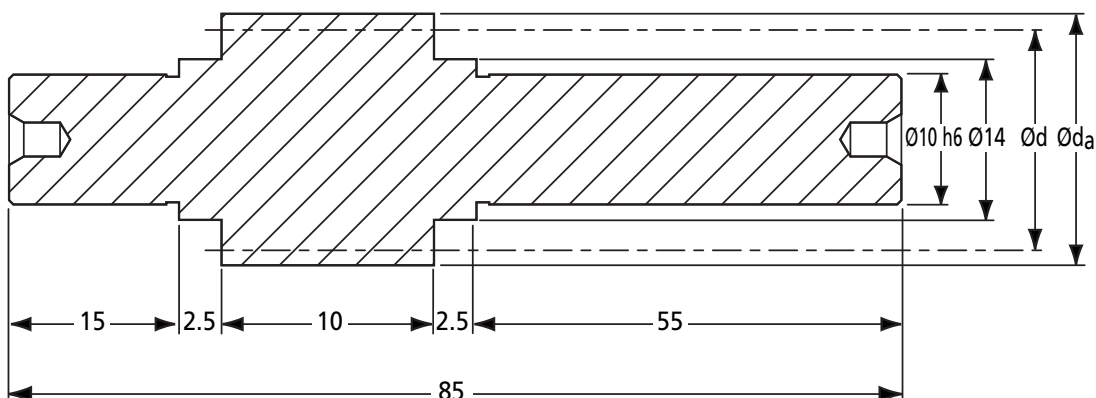
Product information updated 1st April 2011 and subject to change. Please contact Sales for the latest prices and availability.

PRECISION GEARS

1.0 Module Precision Pinion Shafts α 20° PA

Quality Grade 7e25 DIN 3961/3967 (AGMA Q10)

PPS
1.0m_n



DIN 3967 Tooth Thickness tol.
 η Efficiency approx. 98%

Discounts: 6+ -5% | 19+ -10%

Part Number		No. of Teeth <i>z</i>	Ref. Dia. <i>d</i>	Tip Dia. <i>d_a</i>	I <i>kgm²</i>	Mass <i>kg</i>	817M40T (28HRC)		303 Stainless	
817M40T 28HRC	303 Stainless						T ₂ Nm <i>n₂</i> 100min ⁻¹	Price Each 1 - 5	T ₂ Nm <i>n₂</i> 100min ⁻¹	Price Each 1 - 5
PPS1.0-18	PPS1.0-18S	18	18	20	1.53 x 10 ⁻⁶	0.069	1.8	£29.02	1.1	£53.68
PPS1.0-19	PPS1.0-19S	19	19	21	1.72 x 10 ⁻⁶	0.071	1.9	£29.46	1.1	£54.50
PPS1.0-20	PPS1.0-20S	20	20	22	1.95 x 10 ⁻⁶	0.074	2.5	£30.40	1.5	£56.26
PPS1.0-21	PPS1.0-21S	21	21	23	2.22 x 10 ⁻⁶	0.076	2.6	£30.60	1.6	£56.62
PPS1.0-22	PPS1.0-22S	22	22	24	2.52 x 10 ⁻⁶	0.079	2.7	£31.04	1.6	£57.44
PPS1.0-23	PPS1.0-23S	23	23	25	2.87 x 10 ⁻⁶	0.081	2.8	£31.18	1.7	£57.67
PPS1.0-24	PPS1.0-24S	24	24	26	3.27 x 10 ⁻⁶	0.084	3.0	£31.37	1.8	£58.03
PPS1.0-25	PPS1.0-25S	25	25	27	3.72 x 10 ⁻⁶	0.087	3.1	£32.67	1.9	£60.43
PPS1.0-26	PPS1.0-26S	26	26	28	4.23 x 10 ⁻⁶	0.090	3.8	£33.84	2.3	£62.61
PPS1.0-27	PPS1.0-27S	27	27	29	4.80 x 10 ⁻⁶	0.094	3.9	£34.54	2.4	£63.90
PPS1.0-28	PPS1.0-28S	28	28	30	5.44 x 10 ⁻⁶	0.097	4.1	£35.30	2.4	£65.31
PPS1.0-29	PPS1.0-29S	29	29	31	6.15 x 10 ⁻⁶	0.100	4.2	£36.22	2.5	£67.01
PPS1.0-30	PPS1.0-30S	30	30	32	6.93 x 10 ⁻⁶	0.104	4.8	£36.82	2.9	£68.12

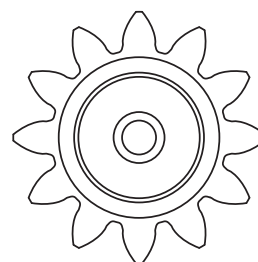
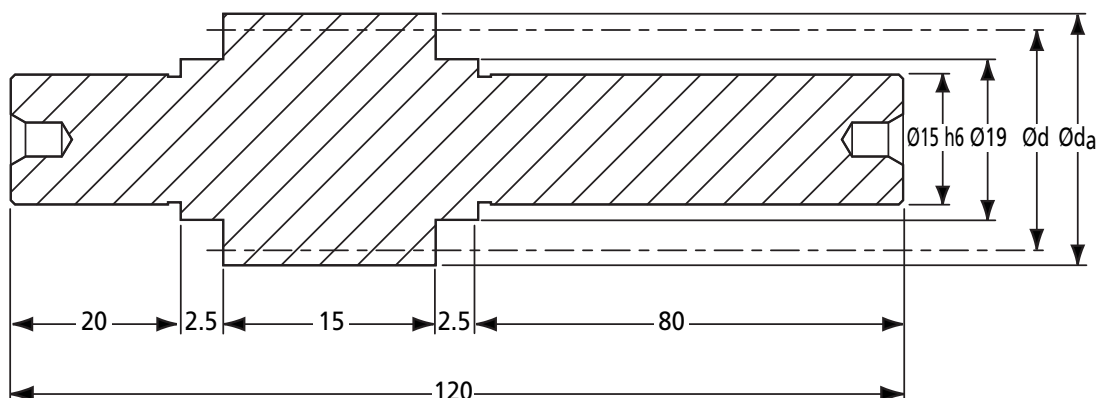
Other numbers of teeth available. Please contact Sales for details.

PPS
1.5m_n

PRECISION GEARS

1.5 Module Precision Pinion Shafts α 20° PA

Quality Grade 7e25 DIN 3961/3967 (AGMA Q10)



DIN 3967 Tooth Thickness tol.
η Efficiency approx. 98%

Discounts: 6+ -5% 19+ -10%

Part Number		No. of Teeth z	Ref. Dia. d	Tip Dia. d _a	I Inertia kgm ²	Mass kg	817M40T (28HRC)		303 Stainless	
817M40T 28HRC	303 Stainless						T ₂ Nm n ₂ 100min ⁻¹	Price Each 1 - 5	T ₂ Nm n ₂ 100min ⁻¹	Price Each 1 - 5
PPS1.5-16	PPS1.5-16S	16	24.0	27.0	8.45 x 10 ⁻⁶	0.203	4.9	£33.32	2.7	£55.65
PPS1.5-18	PPS1.5-18S	18	27.0	30.0	1.08 x 10 ⁻⁵	0.216	5.5	£34.95	3.3	£57.67
PPS1.5-19	PPS1.5-19S	19	28.5	31.5	1.23 x 10 ⁻⁵	0.224	5.8	£36.26	3.5	£59.85
PPS1.5-20	PPS1.5-20S	20	30.0	33.0	1.40 x 10 ⁻⁵	0.232	7.7	£38.10	4.6	£62.88
PPS1.5-21	PPS1.5-21S	21	31.5	34.5	1.60 x 10 ⁻⁵	0.240	8.1	£38.43	4.9	£63.40
PPS1.5-22	PPS1.5-22S	22	33.0	36.0	1.83 x 10 ⁻⁵	0.249	8.5	£38.87	5.1	£64.13
PPS1.5-23	PPS1.5-23S	23	34.5	37.5	2.10 x 10 ⁻⁵	0.259	8.9	£39.56	5.3	£65.27
PPS1.5-24	PPS1.5-24S	24	36.0	39.0	2.40 x 10 ⁻⁵	0.268	9.3	£39.95	5.6	£65.91
PPS1.5-25	PPS1.5-25S	25	37.5	40.5	2.75 x 10 ⁻⁵	0.278	9.6	£42.02	5.8	£69.33
PPS1.5-26	PPS1.5-26S	26	39.0	42.0	3.13 x 10 ⁻⁵	0.289	11.8	£44.03	7.1	£72.64
PPS1.5-27	PPS1.5-27S	27	40.5	43.5	3.56 x 10 ⁻⁵	0.300	12.2	£45.40	7.3	£74.91
PPS1.5-28	PPS1.5-28S	28	42.0	45.0	4.05 x 10 ⁻⁵	0.311	12.7	£46.68	7.6	£77.03
PPS1.5-29	PPS1.5-29S	29	43.5	46.5	4.59 x 10 ⁻⁵	0.323	13.2	£47.41	7.9	£78.23
PPS1.5-30	PPS1.5-30S	30	45.0	48.0	5.18 x 10 ⁻⁵	0.335	15.0	£48.84	9.0	£80.59

Other numbers of teeth available. Please contact Sales for details.

+44 (0)1246 455500
+44 (0)1246 455522

ondrives

sales@ondrives.com
www.ondrives.com

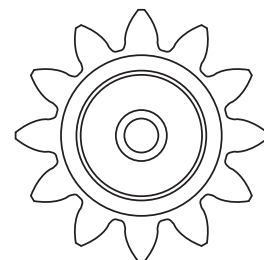
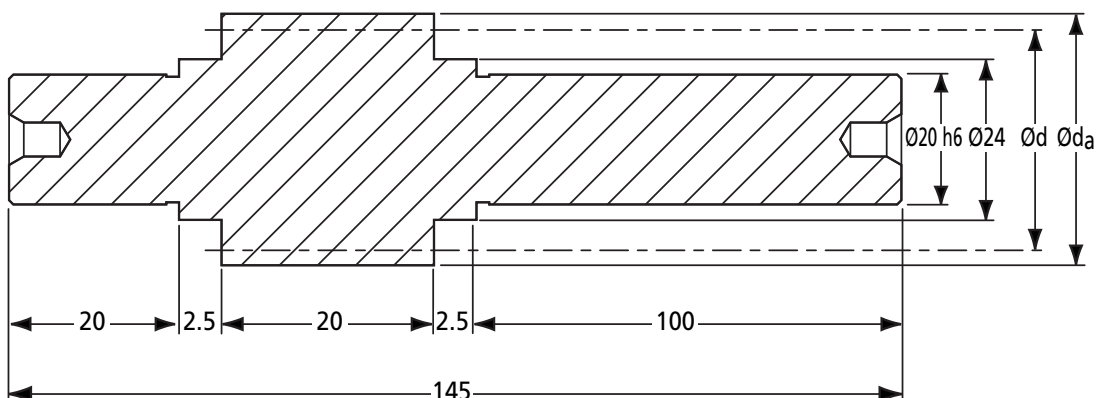
Product information updated 1st April 2011 and subject to change. Please contact Sales for the latest prices and availability.

PRECISION GEARS

2.0 Module Precision Pinion Shafts α 20° PA

Quality Grade 7e25 DIN 3961/3967 (AGMA Q10)

PPS
2.0m_n



DIN 3967 Tooth Thickness tol.
 η Efficiency approx. 98%

Discounts: 6+ -5% | 19+ -10%

Part Number		No. of Teeth <i>z</i>	Ref. Dia. <i>d</i>	Tip Dia. <i>d_a</i>	I <i>I</i> kgm ²	Mass <i>M</i> kg	817M40T (28HRC)		303 Stainless	
817M40T 28HRC	303 Stainless						T ₂ Nm <i>T₂</i> n ₂ 100min ⁻¹	Price Each 1 - 5	T ₂ Nm <i>T₂</i> n ₂ 100min ⁻¹	Price Each 1 - 5
PPS2.0-16	PPS2.0-16S	16	32	36	3.31 x 10 ⁻⁵	0.439	11.4	£40.04	6.9	£74.09
PPS2.0-18	PPS2.0-18S	18	36	40	4.29 x 10 ⁻⁵	0.472	12.3	£42.24	7.4	£69.70
PPS2.0-19	PPS2.0-19S	19	38	42	4.92 x 10 ⁻⁵	0.490	13.0	£43.20	7.8	£71.29
PPS2.0-20	PPS2.0-20S	20	40	44	5.65 x 10 ⁻⁵	0.509	17.3	£44.10	10.4	£72.77
PPS2.0-21	PPS2.0-21S	21	42	46	6.50 x 10 ⁻⁵	0.529	18.1	£45.27	10.9	£74.70
PPS2.0-22	PPS2.0-22S	22	44	48	7.48 x 10 ⁻⁵	0.550	19.0	£45.97	11.4	£75.87
PPS2.0-23	PPS2.0-23S	23	46	50	8.60 x 10 ⁻⁵	0.571	19.8	£46.94	11.9	£77.45
PPS2.0-24	PPS2.0-24S	24	48	52	9.88 x 10 ⁻⁵	0.594	20.7	£47.97	12.4	£79.15
PPS2.0-25	PPS2.0-25S	25	50	54	1.13 x 10 ⁻⁴	0.618	21.6	£50.65	12.9	£83.58
PPS2.0-26	PPS2.0-26S	26	52	56	1.29 x 10 ⁻⁴	0.643	26.4	£52.26	15.8	£86.25
PPS2.0-27	PPS2.0-27S	27	54	58	1.48 x 10 ⁻⁴	0.669	27.4	£54.11	16.4	£89.31
PPS2.0-28	PPS2.0-28S	28	56	60	1.68 x 10 ⁻⁴	0.696	28.4	£55.30	17.1	£91.24
PPS2.0-29	PPS2.0-29S	29	58	62	1.91 x 10 ⁻⁴	0.724	29.4	£56.67	17.7	£93.53
PPS2.0-30	PPS2.0-30S	30	60	64	2.16 x 10 ⁻⁴	0.753	33.5	£57.92	20.1	£95.58

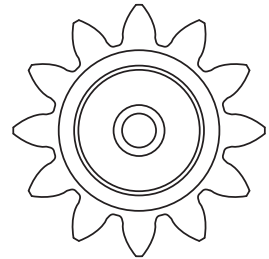
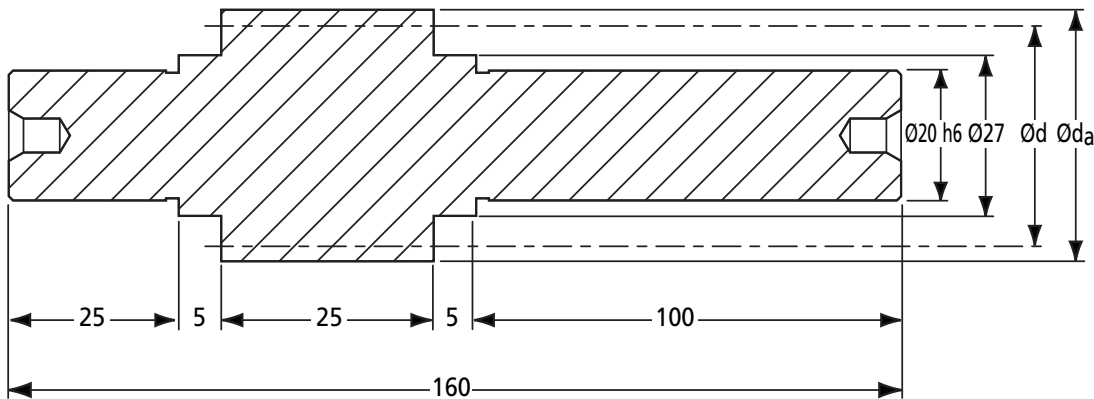
Other numbers of teeth available. Please contact Sales for details.

PPS
2.5m_n

PRECISION GEARS

2.5 Module Precision Pinion Shafts α 20° PA

Quality Grade 7e25 DIN 3961/3967 (AGMA Q10)



DIN 3967 Tooth Thickness tol.
η Efficiency approx. 98%

Discounts: 6+ -5% 19+ -10%

Part Number		No. of Teeth <i>z</i>	Ref. Dia. <i>d</i>	Tip Dia. <i>d_a</i>	<i>I</i> Inertia <i>kgm²</i>	Mass <i>kg</i>	817M40T (28HRC)		303 Stainless	
817M40T 28HRC	303 Stainless						<i>T₂</i> Nm <i>n₂100min⁻¹</i>	Price Each 1 - 5	<i>T₂</i> Nm <i>n₂100min⁻¹</i>	Price Each 1 - 5
PPS2.5-14	PPS2.5-14S	14	35.0	40.0	5.08 x 10 ⁻⁵	0.540	17.6	£50.19	9.4	£92.86
PPS2.5-16	PPS2.5-16S	16	40.0	45.0	7.15 x 10 ⁻⁵	0.597	19.8	£52.24	11.7	£96.66
PPS2.5-18	PPS2.5-18S	18	45.0	50.0	1.01 x 10 ⁻⁴	0.662	22.9	£53.77	13.8	£99.48
PPS2.5-19	PPS2.5-19S	19	47.5	52.5	1.21 x 10 ⁻⁴	0.697	24.2	£55.21	14.5	£102.15
PPS2.5-20	PPS2.5-20S	20	50.0	55.0	1.43 x 10 ⁻⁴	0.734	32.2	£57.23	19.3	£105.89
PPS2.5-21	PPS2.5-21S	21	52.5	57.5	1.69 x 10 ⁻⁴	0.773	33.8	£58.62	20.3	£108.44
PPS2.5-22	PPS2.5-22S	22	55.0	60.0	1.99 x 10 ⁻⁴	0.814	35.5	£60.72	21.3	£112.33
PPS2.5-23	PPS2.5-23S	23	57.5	62.5	2.33 x 10 ⁻⁴	0.857	37.1	£62.25	22.2	£115.17
PPS2.5-24	PPS2.5-24S	24	60.0	65.0	2.72 x 10 ⁻⁴	0.901	38.7	£64.08	23.2	£118.55
PPS2.5-25	PPS2.5-25S	25	62.5	67.5	3.16 x 10 ⁻⁴	0.948	40.3	£67.56	24.2	£124.99

Other numbers of teeth available. Please contact Sales for details.

+44 (0)1246 455500
+44 (0)1246 455522

ondrives

sales@ondrives.com
www.ondrives.com

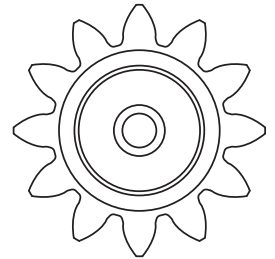
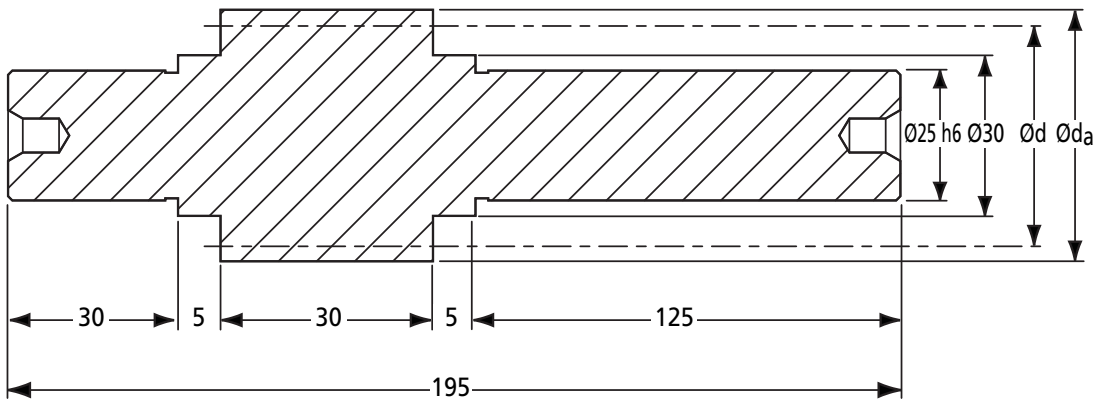
Product information updated 1st April 2011 and subject to change. Please contact Sales for the latest prices and availability.

PRECISION GEARS

3.0 Module Precision Pinion Shafts $\alpha 20^\circ$ PA

Quality Grade 7e25 DIN 3961/3967 (AGMA Q10)

PPS
3.0m_n



DIN 3967 Tooth Thickness tol.
 η Efficiency approx. 98%

Discounts: 6+ -5% 19+ -10%

Part Number		No. of Teeth z	Ref. Dia. d	Tip Dia. d_a	I Inertia kgm^2	Mass kg	817M40T (28HRC)		303 Stainless	
817M40T 28HRC	303 Stainless						T_2 Nm $n_2 100min^{-1}$	Price Each 1 - 5	T_2 Nm $n_2 100min^{-1}$	Price Each 1 - 5
PPS3.0-14	PPS3.0-14S	14	42	48	1.31×10^{-4}	0.976	31.6	£55.81	17.3	£117.24
PPS3.0-16	PPS3.0-16S	16	48	54	1.82×10^{-4}	1.074	34.1	£57.41	19.5	£120.58
PPS3.0-18	PPS3.0-18S	18	54	60	2.57×10^{-4}	1.186	38.2	£59.99	22.9	£125.98
PPS3.0-19	PPS3.0-19S	19	57	63	3.04×10^{-4}	1.246	40.3	£62.24	24.2	£130.71
PPS3.0-20	PPS3.0-20S	20	60	66	3.60×10^{-4}	1.311	53.7	£64.29	32.2	£135.00
PPS3.0-21	PPS3.0-21S	21	63	69	4.25×10^{-4}	1.378	56.4	£66.39	33.8	£139.42
PPS3.0-22	PPS3.0-22S	22	66	72	4.99×10^{-4}	1.449	59.1	£68.68	35.4	£144.21
PPS3.0-23	PPS3.0-23S	23	69	75	5.84×10^{-4}	1.523	61.8	£70.87	37.1	£148.82
PPS3.0-24	PPS3.0-24S	24	72	78	6.81×10^{-4}	1.600	64.4	£72.88	38.7	£153.05
PPS3.0-25	PPS3.0-25S	25	75	81	7.91×10^{-4}	1.681	67.1	£77.29	40.3	£162.33

Other numbers of teeth available. Please contact Sales for details.