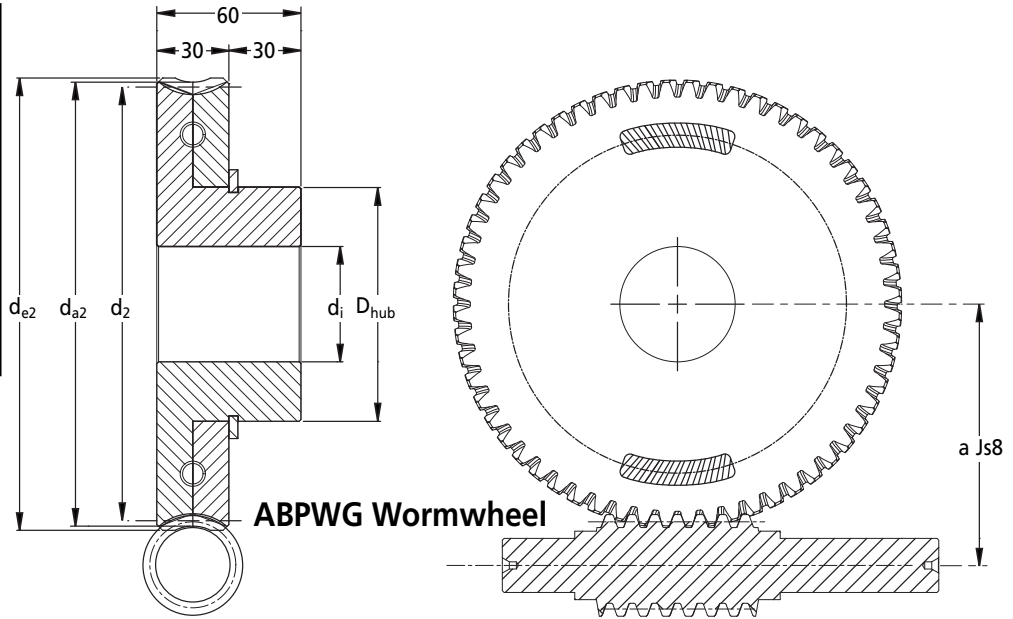
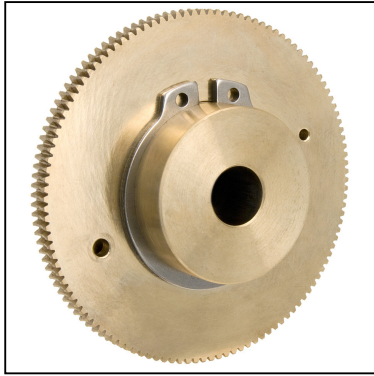


PW PSW
3.0m_x

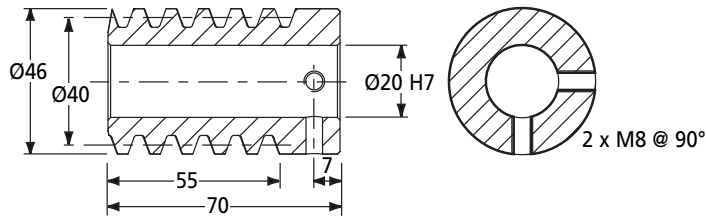
PRECISION GEARS

3.0 Module Anti-Backlash Worms & Wheels α 20° PA

Quality Grade Worm 6e25 DIN 3974/3967

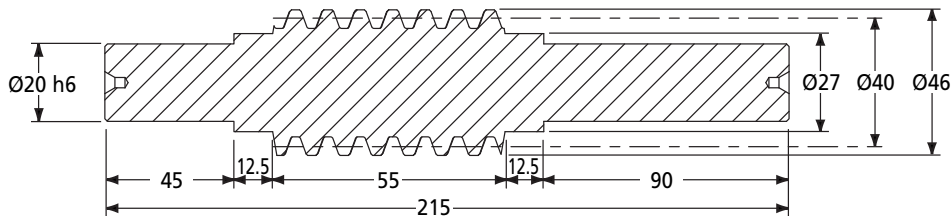


PW Worm



| 817M40T | | | 303 Stainless Steel | | |
|------------------|---------------------|------------------|---------------------|---------------------|------------------|
| Worm Part Number | No. of Starts z_1 | Price Each 1 - 5 | Worm Part Number | No. of Starts z_1 | Price Each 1 - 5 |
| PW3.0-1 | 1 | £66.93 | PW3.0-1S | 1 | £90.37 |
| PW3.0-2 | 2 | £69.22 | PW3.0-2S | 2 | £93.45 |
| PW3.0-3 | 3 | £71.23 | PW3.0-3S | 3 | £96.15 |
| PW3.0-4 | 4 | £74.01 | PW3.0-4S | 4 | £99.91 |

PSW Worm Shaft



| 817M40T | | | 303 Stainless Steel | | |
|------------------------|---------------------|------------------|------------------------|---------------------|------------------|
| Worm Shaft Part Number | No. of Starts z_1 | Price Each 1 - 5 | Worm Shaft Part Number | No. of Starts z_1 | Price Each 1 - 5 |
| PSW3.0-1 | 1 | £95.77 | PSW3.0-1S | 1 | £129.29 |
| PSW3.0-2 | 2 | £101.60 | PSW3.0-2S | 2 | £137.18 |
| PSW3.0-3 | 3 | £105.96 | PSW3.0-3S | 3 | £143.05 |
| PSW3.0-4 | 4 | £110.12 | PSW3.0-4S | 4 | £148.66 |

+44 (0)1246 455500
+44 (0)1246 455522

ondrives

sales@ondrives.com
www.ondrives.com

Product information updated 1st April 2011 and subject to change. Please contact Sales for the latest prices and availability.

PRECISION GEARS

ABPWG
3.0m_x

3.0 Module Anti-Backlash Worms & Wheels α 20° PA

Quality Grade Wormwheel 7e25 DIN 3974/3967

Standard Part -

Modified Part -

ABPWG - Anti-Backlash Precision Worm Gear
Quality Grade 7e25 DIN 3974/3967
Other Quality Grades available.
See page 296

m_x Module - Cut with DIN 867 1.25/0.20/1.0
Ref. Tooth Profile WD = 2.25 x m_x

Number of Teeth z₂

Number of Starts (1, 2, 3 or 4) on Worm
to be specified by customer

$$\text{Ratio} = \frac{(z_2) \text{ No. of teeth on wheel}}{(z_1) \text{ No. of starts on worm}}$$

T = 1 x Tapped hole 2T = 2 x Tapped holes.
P = 1 x Pin Hole PT = 1 x Pin Hole thru.
All threads metric as standard,
refer to page 308 for sizes
For prices see page 308

K- Keyway supplied to
DIN 6885 - Js9 tolerance.
For prices see page 308

To specify different bore enter size required
Example: 30 = 30mm H7 etc
For prices see page 308

Z1 worm profile

DIN 3967 Tooth Thickness tol.

Discounts: 6+ -5% 19+ -10%

| Part Number | No. of Teeth z ₂ | Centre Distance a | Ref Dia. d ₂ | Wheel Throat d _{a2} | Tip Dia. d _{e2} | Bore Dia. H7 d _i | Max Bore Dia. H7 d _i | Hub Dia. D _{hub} | Torque n ₁ 100min ⁻¹ T ₂ Nm | Price Each 1 - 5 |
|---------------|-----------------------------|-------------------|-------------------------|------------------------------|--------------------------|-----------------------------|---------------------------------|---------------------------|--|------------------|
| ABPWG3.0-25-1 | 25 | 57.50 | 75 | 81 | 84 | 12 | 16 | 35 | 4.19 | £176.21 |
| ABPWG3.0-26-1 | 26 | 59.00 | 78 | 84 | 87 | 12 | 16 | 35 | 4.31 | £201.28 |
| ABPWG3.0-27-1 | 27 | 60.50 | 81 | 87 | 90 | 12 | 16 | 35 | 4.43 | £215.72 |
| ABPWG3.0-28-1 | 28 | 62.00 | 84 | 90 | 93 | 12 | 16 | 35 | 4.55 | £232.45 |
| ABPWG3.0-29-1 | 29 | 63.50 | 87 | 93 | 96 | 12 | 16 | 35 | 4.68 | £243.29 |
| ABPWG3.0-30-1 | 30 | 65.00 | 90 | 96 | 99 | 14 | 30 | 50 | 5.41 | £253.68 |
| ABPWG3.0-32-1 | 32 | 68.00 | 96 | 102 | 105 | 14 | 30 | 50 | 5.66 | £299.96 |
| ABPWG3.0-35-1 | 35 | 72.50 | 105 | 111 | 114 | 14 | 30 | 50 | 6.02 | £345.37 |
| ABPWG3.0-38-1 | 38 | 77.00 | 114 | 120 | 123 | 14 | 30 | 50 | 6.39 | £389.60 |
| ABPWG3.0-40-1 | 40 | 80.00 | 120 | 126 | 129 | 16 | 40 | 65 | 7.25 | £451.12 |

Material

Bronze CA104. RH lead angle.

+44 (0)1246 455500

+44 (0)1246 455522

ondrives

sales@ondrives.com

www.ondrives.com

Product information updated 1st April 2011 and subject to change. Please contact Sales for the latest prices and availability.