

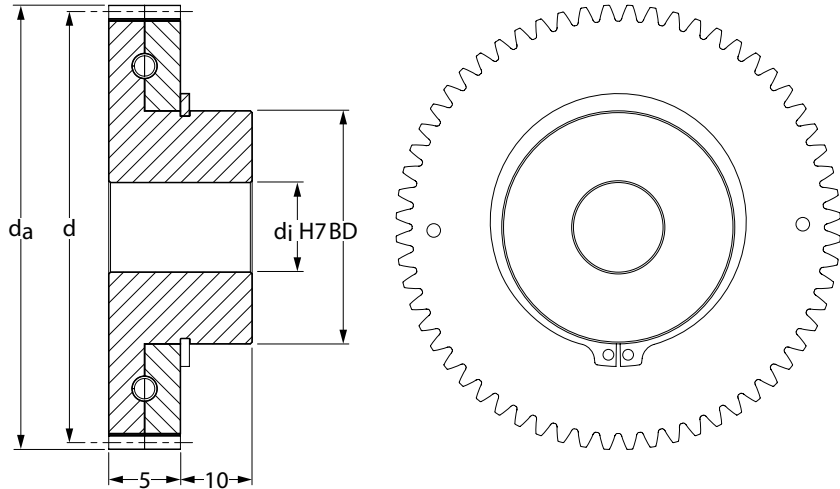
**ABPSG**  
**ABPSG-S**  
**0.5m<sub>n</sub>**

*CAD Drawings Available On Request*

# PRECISION GEARS

## 0.5 Module Anti-Backlash Spur Gear α 20° PA

Quality Grade 7e DIN 3961/58405 (AGMA Q10)



DIN 58405 Tooth Thickness tol.

Part Number		No. of Teeth	Ref. Dia.	Tip Dia.	Bore H7	Max. Bore H7	Hub Dia.
817M40T	303 Stainless	<i>z</i>	<i>d</i>	<i>d<sub>a</sub></i>	<i>d<sub>j</sub></i>	<i>d<sub>j</sub></i>	<i>BD</i>
<a href="#">ABPSG0.5-50</a>	<a href="#">ABPSG0.5-50S</a>	50	25.0	26.0	5	6	13
<a href="#">ABPSG0.5-52</a>	<a href="#">ABPSG0.5-52S</a>	52	26.0	27.0	6	8	15
<a href="#">ABPSG0.5-55</a>	<a href="#">ABPSG0.5-55S</a>	55	27.5	28.5	6	8	15
<a href="#">ABPSG0.5-58</a>	<a href="#">ABPSG0.5-58S</a>	58	29.0	30.0	6	8	15
<a href="#">ABPSG0.5-60</a>	<a href="#">ABPSG0.5-60S</a>	60	30.0	31.0	6	8	15
<a href="#">ABPSG0.5-62</a>	<a href="#">ABPSG0.5-62S</a>	62	31.0	32.0	6	8	15
<a href="#">ABPSG0.5-65</a>	<a href="#">ABPSG0.5-65S</a>	65	32.5	33.5	6	8	15
<a href="#">ABPSG0.5-68</a>	<a href="#">ABPSG0.5-68S</a>	68	34.0	35.0	6	8	15
<a href="#">ABPSG0.5-70</a>	<a href="#">ABPSG0.5-70S</a>	70	35.0	36.0	6	8	15
<a href="#">ABPSG0.5-72</a>	<a href="#">ABPSG0.5-72S</a>	72	36.0	37.0	6	8	15
<a href="#">ABPSG0.5-75</a>	<a href="#">ABPSG0.5-75S</a>	75	37.5	38.5	6	8	15
<a href="#">ABPSG0.5-78</a>	<a href="#">ABPSG0.5-78S</a>	78	39.0	40.0	8	12	25
<a href="#">ABPSG0.5-80</a>	<a href="#">ABPSG0.5-80S</a>	80	40.0	41.0	8	12	25
<a href="#">ABPSG0.5-82</a>	<a href="#">ABPSG0.5-82S</a>	82	41.0	42.0	8	12	25
<a href="#">ABPSG0.5-85</a>	<a href="#">ABPSG0.5-85S</a>	85	42.5	43.5	8	12	25
<a href="#">ABPSG0.5-90</a>	<a href="#">ABPSG0.5-90S</a>	90	45.0	46.0	8	12	25
<a href="#">ABPSG0.5-95</a>	<a href="#">ABPSG0.5-95S</a>	95	47.5	48.5	8	12	25
<a href="#">ABPSG0.5-100</a>	<a href="#">ABPSG0.5-100S</a>	100	50.0	51.0	8	12	25
<a href="#">ABPSG0.5-105</a>	<a href="#">ABPSG0.5-105S</a>	105	52.5	53.5	10	14	30
<a href="#">ABPSG0.5-110</a>	<a href="#">ABPSG0.5-110S</a>	110	55.0	56.0	10	14	30
<a href="#">ABPSG0.5-115</a>	<a href="#">ABPSG0.5-115S</a>	115	57.5	58.5	10	14	30
<a href="#">ABPSG0.5-120</a>	<a href="#">ABPSG0.5-120S</a>	120	60.0	61.0	10	14	30
<a href="#">ABPSG0.5-130</a>	<a href="#">ABPSG0.5-130S</a>	130	65.0	66.0	10	14	30
<a href="#">ABPSG0.5-140</a>	<a href="#">ABPSG0.5-140S</a>	140	70.0	71.0	12	25	45
<a href="#">ABPSG0.5-150</a>	<a href="#">ABPSG0.5-150S</a>	150	75.0	76.0	12	25	45
<a href="#">ABPSG0.5-160</a>	<a href="#">ABPSG0.5-160S</a>	160	80.0	81.0	12	25	45
<a href="#">ABPSG0.5-170</a>	<a href="#">ABPSG0.5-170S</a>	170	85.0	86.0	12	25	45
<a href="#">ABPSG0.5-180</a>	<a href="#">ABPSG0.5-180S</a>	180	90.0	91.0	14	30	50
<a href="#">ABPSG0.5-190</a>	<a href="#">ABPSG0.5-190S</a>	190	95.0	96.0	14	30	50
<a href="#">ABPSG0.5-200</a>	<a href="#">ABPSG0.5-200S</a>	200	100.0	101.0	14	30	50
<a href="#">ABPSG0.5-210</a>	<a href="#">ABPSG0.5-210S</a>	210	105.0	106.0	14	30	50
<a href="#">ABPSG0.5-220</a>	<a href="#">ABPSG0.5-220S</a>	220	110.0	111.0	16	40	65
<a href="#">ABPSG0.5-230</a>	<a href="#">ABPSG0.5-230S</a>	230	115.0	116.0	16	40	65
<a href="#">ABPSG0.5-240</a>	<a href="#">ABPSG0.5-240S</a>	240	120.0	121.0	16	40	65
<a href="#">ABPSG0.5-250</a>	<a href="#">ABPSG0.5-250S</a>	250	125.0	126.0	16	40	65



+44 (0)1246 455500



+44 (0)1246 455522

**ondrives**



sales@ondrives.com



www.ondrives.com

Product information updated March 2017 and subject to change. Please click the product links for prices and availability.

**ABPSG**  
**ABPSG-S**  
**0.5m<sub>n</sub>**

**CAD**  
**Drawings**  
**Available**  
**On Request**

# PRECISION GEARS

## 0.5 Module Anti-Backlash Spur Gear α 20° PA

Quality Grade 7e DIN 3961/58405 (AGMA Q10)

Standard Part **ABPSG** **0.5** **50**

Modified Part **ABPSG** **0.5** **50** **S** **6** **K** **T**

ABPSG - Precision Anti-Backlash Spur Gear  
Quality Grade 7e DIN 3961/58405  
Other Quality Grades available.  
See Technical

m<sub>n</sub> Module - Cut with DIN 867 1.25/0.20/1.0  
Ref. Tooth Profile Topping WD = 2.25 x m<sub>n</sub>

Number of Teeth **z**

Standard Material = 817M40T  
**S** = 303 Stainless Steel

**T** = 1 x Tapped hole    **2T** = 2 x Tapped holes  
**P** = 1 x Pin Hole      **PT** = 1 x Pin Hole through  
All threads metric as standard.  
See Technical

**K**- Keyway supplied to  
DIN 6885 - Js9 tolerance.  
See Technical

To specify different bore enter size required  
Example: 6 = 6mm H7 etc  
See Technical

η Efficiency approx. 98%

Part Number 817M40T	Inertia kgm <sup>2</sup>	Mass kg	Torque T <sub>2</sub> Nm n <sub>2</sub> 100 Rpm	Part Number 303 Stainless	Inertia kgm <sup>2</sup>	Mass kg	Torque T <sub>2</sub> Nm n <sub>2</sub> 100 Rpm
<a href="#">ABPSG0.5-50</a>	1.30 x 10 <sup>-6</sup>	0.027	0.21	<a href="#">ABPSG0.5-50S</a>	1.33 x 10 <sup>-6</sup>	0.028	0.21
<a href="#">ABPSG0.5-52</a>	1.58 x 10 <sup>-6</sup>	0.031	0.23	<a href="#">ABPSG0.5-52S</a>	1.61 x 10 <sup>-6</sup>	0.032	0.23
<a href="#">ABPSG0.5-55</a>	1.95 x 10 <sup>-6</sup>	0.034	0.24	<a href="#">ABPSG0.5-55S</a>	1.99 x 10 <sup>-6</sup>	0.034	0.24
<a href="#">ABPSG0.5-58</a>	2.38 x 10 <sup>-6</sup>	0.036	0.25	<a href="#">ABPSG0.5-58S</a>	2.43 x 10 <sup>-6</sup>	0.037	0.25
<a href="#">ABPSG0.5-60</a>	2.72 x 10 <sup>-6</sup>	0.038	0.25	<a href="#">ABPSG0.5-60S</a>	2.77 x 10 <sup>-6</sup>	0.039	0.25
<a href="#">ABPSG0.5-62</a>	3.09 x 10 <sup>-6</sup>	0.040	0.26	<a href="#">ABPSG0.5-62S</a>	3.15 x 10 <sup>-6</sup>	0.041	0.26
<a href="#">ABPSG0.5-65</a>	3.73 x 10 <sup>-6</sup>	0.043	0.27	<a href="#">ABPSG0.5-65S</a>	3.80 x 10 <sup>-6</sup>	0.044	0.27
<a href="#">ABPSG0.5-68</a>	4.46 x 10 <sup>-6</sup>	0.046	0.27	<a href="#">ABPSG0.5-68S</a>	4.55 x 10 <sup>-6</sup>	0.047	0.27
<a href="#">ABPSG0.5-70</a>	5.01 x 10 <sup>-6</sup>	0.048	0.28	<a href="#">ABPSG0.5-70S</a>	5.11 x 10 <sup>-6</sup>	0.049	0.28
<a href="#">ABPSG0.5-72</a>	5.61 x 10 <sup>-6</sup>	0.050	0.29	<a href="#">ABPSG0.5-72S</a>	5.72 x 10 <sup>-6</sup>	0.051	0.29
<a href="#">ABPSG0.5-75</a>	6.62 x 10 <sup>-6</sup>	0.054	0.29	<a href="#">ABPSG0.5-75S</a>	6.75 x 10 <sup>-6</sup>	0.055	0.29
<a href="#">ABPSG0.5-78</a>	9.62 x 10 <sup>-6</sup>	0.079	0.36	<a href="#">ABPSG0.5-78S</a>	9.81 x 10 <sup>-6</sup>	0.081	0.36
<a href="#">ABPSG0.5-80</a>	1.05 x 10 <sup>-5</sup>	0.082	0.37	<a href="#">ABPSG0.5-80S</a>	1.07 x 10 <sup>-5</sup>	0.083	0.37
<a href="#">ABPSG0.5-82</a>	1.13 x 10 <sup>-5</sup>	0.084	0.37	<a href="#">ABPSG0.5-82S</a>	1.16 x 10 <sup>-5</sup>	0.086	0.37
<a href="#">ABPSG0.5-85</a>	1.28 x 10 <sup>-5</sup>	0.088	0.38	<a href="#">ABPSG0.5-85S</a>	1.31 x 10 <sup>-5</sup>	0.090	0.38
<a href="#">ABPSG0.5-90</a>	1.57 x 10 <sup>-5</sup>	0.095	0.39	<a href="#">ABPSG0.5-90S</a>	1.60 x 10 <sup>-5</sup>	0.097	0.39
<a href="#">ABPSG0.5-95</a>	1.91 x 10 <sup>-5</sup>	0.102	0.41	<a href="#">ABPSG0.5-95S</a>	1.95 x 10 <sup>-5</sup>	0.104	0.41
<a href="#">ABPSG0.5-100</a>	2.31 x 10 <sup>-5</sup>	0.109	0.42	<a href="#">ABPSG0.5-100S</a>	2.36 x 10 <sup>-5</sup>	0.111	0.42
<a href="#">ABPSG0.5-105</a>	2.96 x 10 <sup>-5</sup>	0.131	0.47	<a href="#">ABPSG0.5-105S</a>	3.02 x 10 <sup>-5</sup>	0.133	0.47
<a href="#">ABPSG0.5-110</a>	3.50 x 10 <sup>-5</sup>	0.139	0.48	<a href="#">ABPSG0.5-110S</a>	3.57 x 10 <sup>-5</sup>	0.142	0.48
<a href="#">ABPSG0.5-115</a>	4.12 x 10 <sup>-5</sup>	0.148	0.49	<a href="#">ABPSG0.5-115S</a>	4.20 x 10 <sup>-5</sup>	0.151	0.49
<a href="#">ABPSG0.5-120</a>	4.84 x 10 <sup>-5</sup>	0.157	0.51	<a href="#">ABPSG0.5-120S</a>	4.93 x 10 <sup>-5</sup>	0.160	0.51
<a href="#">ABPSG0.5-130</a>	6.56 x 10 <sup>-5</sup>	0.176	0.54	<a href="#">ABPSG0.5-130S</a>	6.69 x 10 <sup>-5</sup>	0.179	0.54
<a href="#">ABPSG0.5-140</a>	1.08 x 10 <sup>-4</sup>	0.262	0.65	<a href="#">ABPSG0.5-140S</a>	1.10 x 10 <sup>-4</sup>	0.267	0.65
<a href="#">ABPSG0.5-150</a>	1.36 x 10 <sup>-4</sup>	0.284	0.68	<a href="#">ABPSG0.5-150S</a>	1.38 x 10 <sup>-4</sup>	0.290	0.68
<a href="#">ABPSG0.5-160</a>	1.69 x 10 <sup>-4</sup>	0.308	0.71	<a href="#">ABPSG0.5-160S</a>	1.72 x 10 <sup>-4</sup>	0.314	0.71
<a href="#">ABPSG0.5-170</a>	2.09 x 10 <sup>-4</sup>	0.334	0.74	<a href="#">ABPSG0.5-170S</a>	2.13 x 10 <sup>-4</sup>	0.340	0.74
<a href="#">ABPSG0.5-180</a>	2.69 x 10 <sup>-4</sup>	0.385	0.80	<a href="#">ABPSG0.5-180S</a>	2.74 x 10 <sup>-4</sup>	0.392	0.80
<a href="#">ABPSG0.5-190</a>	3.26 x 10 <sup>-4</sup>	0.414	0.82	<a href="#">ABPSG0.5-190S</a>	3.32 x 10 <sup>-4</sup>	0.421	0.82
<a href="#">ABPSG0.5-200</a>	3.93 x 10 <sup>-4</sup>	0.444	0.85	<a href="#">ABPSG0.5-200S</a>	4.01 x 10 <sup>-4</sup>	0.452	0.85
<a href="#">ABPSG0.5-210</a>	4.72 x 10 <sup>-4</sup>	0.475	0.88	<a href="#">ABPSG0.5-210S</a>	4.81 x 10 <sup>-4</sup>	0.484	0.88
<a href="#">ABPSG0.5-220</a>	6.38 x 10 <sup>-4</sup>	0.609	1.00	<a href="#">ABPSG0.5-220S</a>	6.50 x 10 <sup>-4</sup>	0.621	1.00
<a href="#">ABPSG0.5-230</a>	7.42 x 10 <sup>-4</sup>	0.644	1.02	<a href="#">ABPSG0.5-230S</a>	7.56 x 10 <sup>-4</sup>	0.656	1.02
<a href="#">ABPSG0.5-240</a>	8.61 x 10 <sup>-4</sup>	0.680	1.05	<a href="#">ABPSG0.5-240S</a>	8.77 x 10 <sup>-4</sup>	0.693	1.05
<a href="#">ABPSG0.5-250</a>	9.96 x 10 <sup>-4</sup>	0.718	1.08	<a href="#">ABPSG0.5-250S</a>	1.01 x 10 <sup>-3</sup>	0.731	1.08



+44 (0)1246 455500

+44 (0)1246 455522

**ondrives**



sales@ondrives.com

www.ondrives.com

Product information updated March 2017 and subject to change. Please click the product links for prices and availability.

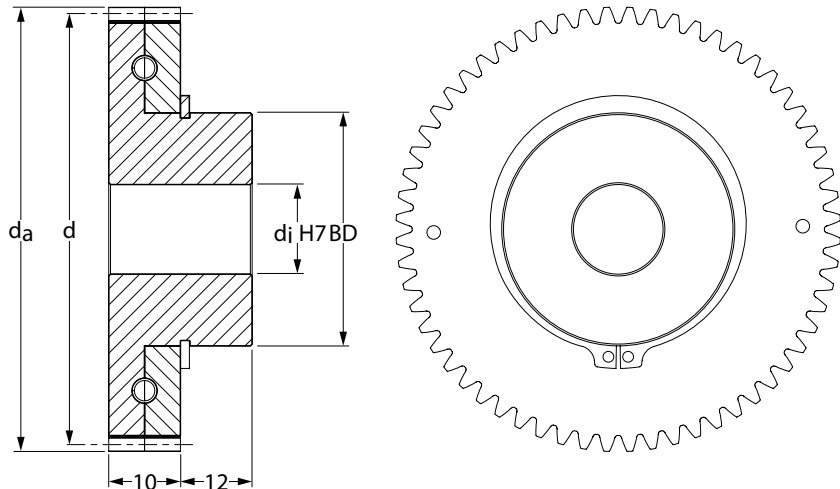
**ABPSG**  
**ABPSG-S**  
**1.0mn**

*CAD Drawings Available On Request*

# PRECISION GEARS

## 1.0 Module Anti-Backlash Spur Gear $\alpha$ 20° PA

Quality Grade 7e25 DIN 3961/3967 (AGMA Q10)



DIN 58405 Tooth Thickness tol.

Part Number		No. of Teeth	Ref. Dia.	Tip Dia.	Bore H7	Max. Bore H7	Hub Dia.
817M40T	303 Stainless	<i>z</i>	<i>d</i>	<i>d<sub>a</sub></i>	<i>d<sub>j</sub></i>	<i>d<sub>j</sub></i>	<i>BD</i>
<a href="#">ABPSG1.0-38</a>	<a href="#">ABPSG1.0-38S</a>	38	38	40	8	10	20
<a href="#">ABPSG1.0-40</a>	<a href="#">ABPSG1.0-40S</a>	40	40	42	8	10	20
<a href="#">ABPSG1.0-42</a>	<a href="#">ABPSG1.0-42S</a>	42	42	44	8	10	20
<a href="#">ABPSG1.0-45</a>	<a href="#">ABPSG1.0-45S</a>	45	45	47	8	10	20
<a href="#">ABPSG1.0-48</a>	<a href="#">ABPSG1.0-48S</a>	48	48	50	8	10	20
<a href="#">ABPSG1.0-50</a>	<a href="#">ABPSG1.0-50S</a>	50	50	52	8	10	20
<a href="#">ABPSG1.0-52</a>	<a href="#">ABPSG1.0-52S</a>	52	52	54	8	10	20
<a href="#">ABPSG1.0-55</a>	<a href="#">ABPSG1.0-55S</a>	55	55	57	8	10	20
<a href="#">ABPSG1.0-58</a>	<a href="#">ABPSG1.0-58S</a>	58	58	60	10	20	35
<a href="#">ABPSG1.0-60</a>	<a href="#">ABPSG1.0-60S</a>	60	60	62	10	20	35
<a href="#">ABPSG1.0-62</a>	<a href="#">ABPSG1.0-62S</a>	62	62	64	10	20	35
<a href="#">ABPSG1.0-65</a>	<a href="#">ABPSG1.0-65S</a>	65	65	67	10	20	35
<a href="#">ABPSG1.0-68</a>	<a href="#">ABPSG1.0-68S</a>	68	68	70	10	20	35
<a href="#">ABPSG1.0-70</a>	<a href="#">ABPSG1.0-70S</a>	70	70	72	10	20	35
<a href="#">ABPSG1.0-72</a>	<a href="#">ABPSG1.0-72S</a>	72	72	74	10	20	35
<a href="#">ABPSG1.0-75</a>	<a href="#">ABPSG1.0-75S</a>	75	75	77	10	20	35
<a href="#">ABPSG1.0-78</a>	<a href="#">ABPSG1.0-78S</a>	78	78	80	12	25	45
<a href="#">ABPSG1.0-80</a>	<a href="#">ABPSG1.0-80S</a>	80	80	82	12	25	45
<a href="#">ABPSG1.0-82</a>	<a href="#">ABPSG1.0-82S</a>	82	82	84	12	25	45
<a href="#">ABPSG1.0-85</a>	<a href="#">ABPSG1.0-85S</a>	85	85	87	12	25	45
<a href="#">ABPSG1.0-90</a>	<a href="#">ABPSG1.0-90S</a>	90	90	92	12	25	45
<a href="#">ABPSG1.0-95</a>	<a href="#">ABPSG1.0-95S</a>	95	95	97	12	25	45
<a href="#">ABPSG1.0-100</a>	<a href="#">ABPSG1.0-100S</a>	100	100	102	14	40	65
<a href="#">ABPSG1.0-105</a>	<a href="#">ABPSG1.0-105S</a>	105	105	107	14	40	65
<a href="#">ABPSG1.0-110</a>	<a href="#">ABPSG1.0-110S</a>	110	110	112	14	40	65
<a href="#">ABPSG1.0-115</a>	<a href="#">ABPSG1.0-115S</a>	115	115	117	14	40	65
<a href="#">ABPSG1.0-120</a>	<a href="#">ABPSG1.0-120S</a>	120	120	122	14	40	65



+44 (0)1246 455500



+44 (0)1246 455522

**ondrives**



sales@ondrives.com



www.ondrives.com

Product information updated March 2017 and subject to change. Please click the product links for prices and availability.

**ABPSG**  
**ABPSG-S**  
**1.0m<sub>n</sub>**

**CAD**  
Drawings  
Available  
On Request

# PRECISION GEARS

## 1.0 Module Anti-Backlash Spur Gear α 20° PA

Quality Grade 7e25 DIN 3961/3967 (AGMA Q10)

Standard Part **ABPSG 1.0-50**

Modified Part **ABPSG 1.0-50 S 10 K T**

ABPSG - Precision Anti-Backlash Spur Gear  
Quality Grade 7e DIN 3961/3967  
Other Quality Grades available.  
See Technical

m<sub>n</sub> Module - Cut with DIN 867 1.25/0.20/1.0  
Ref. Tooth Profile Topping WD = 2.25 x m<sub>n</sub>

Number of Teeth **z**

Standard Material = 817M40T  
**S** = 303 Stainless Steel

**T** = 1 x Tapped hole    **2T** = 2 x Tapped holes  
**P** = 1 x Pin Hole      **PT** = 1 x Pin Hole through  
All threads metric as standard.  
See Technical

**K**- Keyway supplied to  
DIN 6885 - Js9 tolerance.  
See Technical

To specify different bore enter size required  
Example: 10 = 10mm H7 etc  
See Technical

η Efficiency approx. 98%

Part Number 817M40T	Inertia kgm <sup>2</sup>	Mass kg	Torque T <sub>2</sub> Nm n <sub>2</sub> 100 Rpm	Part Number 303 Stainless	Inertia kgm <sup>2</sup>	Mass kg	Torque T <sub>2</sub> Nm n <sub>2</sub> 100 Rpm
<a href="#">ABPSG1.0-38</a>	1.25 x 10 <sup>-5</sup>	0.109	0.35	<a href="#">ABPSG1.0-38S</a>	1.28 x 10 <sup>-5</sup>	0.111	0.35
<a href="#">ABPSG1.0-40</a>	1.54 x 10 <sup>-5</sup>	0.119	0.37	<a href="#">ABPSG1.0-40S</a>	1.57 x 10 <sup>-5</sup>	0.121	0.37
<a href="#">ABPSG1.0-42</a>	1.88 x 10 <sup>-5</sup>	0.129	0.38	<a href="#">ABPSG1.0-42S</a>	1.92 x 10 <sup>-5</sup>	0.131	0.38
<a href="#">ABPSG1.0-45</a>	2.51 x 10 <sup>-5</sup>	0.145	0.40	<a href="#">ABPSG1.0-45S</a>	2.55 x 10 <sup>-5</sup>	0.147	0.40
<a href="#">ABPSG1.0-48</a>	3.28 x 10 <sup>-5</sup>	0.162	0.42	<a href="#">ABPSG1.0-48S</a>	3.34 x 10 <sup>-5</sup>	0.165	0.42
<a href="#">ABPSG1.0-50</a>	3.89 x 10 <sup>-5</sup>	0.174	0.43	<a href="#">ABPSG1.0-50S</a>	3.96 x 10 <sup>-5</sup>	0.177	0.43
<a href="#">ABPSG1.0-52</a>	4.58 x 10 <sup>-5</sup>	0.186	0.44	<a href="#">ABPSG1.0-52S</a>	4.66 x 10 <sup>-5</sup>	0.190	0.44
<a href="#">ABPSG1.0-55</a>	5.78 x 10 <sup>-5</sup>	0.206	0.46	<a href="#">ABPSG1.0-55S</a>	5.89 x 10 <sup>-5</sup>	0.210	0.46
<a href="#">ABPSG1.0-58</a>	8.12 x 10 <sup>-5</sup>	0.283	0.47	<a href="#">ABPSG1.0-58S</a>	8.27 x 10 <sup>-5</sup>	0.288	0.47
<a href="#">ABPSG1.0-60</a>	9.20 x 10 <sup>-5</sup>	0.297	0.48	<a href="#">ABPSG1.0-60S</a>	9.38 x 10 <sup>-5</sup>	0.303	0.48
<a href="#">ABPSG1.0-62</a>	1.04 x 10 <sup>-4</sup>	0.312	0.49	<a href="#">ABPSG1.0-62S</a>	1.06 x 10 <sup>-4</sup>	0.318	0.49
<a href="#">ABPSG1.0-65</a>	1.25 x 10 <sup>-4</sup>	0.336	0.51	<a href="#">ABPSG1.0-65S</a>	1.27 x 10 <sup>-4</sup>	0.342	0.51
<a href="#">ABPSG1.0-68</a>	1.48 x 10 <sup>-4</sup>	0.360	0.52	<a href="#">ABPSG1.0-68S</a>	1.51 x 10 <sup>-4</sup>	0.367	0.52
<a href="#">ABPSG1.0-70</a>	1.66 x 10 <sup>-4</sup>	0.377	0.53	<a href="#">ABPSG1.0-70S</a>	1.69 x 10 <sup>-4</sup>	0.385	0.53
<a href="#">ABPSG1.0-72</a>	1.86 x 10 <sup>-4</sup>	0.395	0.54	<a href="#">ABPSG1.0-72S</a>	1.89 x 10 <sup>-4</sup>	0.402	0.54
<a href="#">ABPSG1.0-75</a>	2.18 x 10 <sup>-4</sup>	0.422	0.56	<a href="#">ABPSG1.0-75S</a>	2.23 x 10 <sup>-4</sup>	0.430	0.56
<a href="#">ABPSG1.0-78</a>	2.73 x 10 <sup>-4</sup>	0.503	0.63	<a href="#">ABPSG1.0-78S</a>	2.78 x 10 <sup>-4</sup>	0.513	0.63
<a href="#">ABPSG1.0-80</a>	3.00 x 10 <sup>-4</sup>	0.523	0.64	<a href="#">ABPSG1.0-80S</a>	3.05 x 10 <sup>-4</sup>	0.533	0.64
<a href="#">ABPSG1.0-82</a>	3.29 x 10 <sup>-4</sup>	0.543	0.65	<a href="#">ABPSG1.0-82S</a>	3.35 x 10 <sup>-4</sup>	0.553	0.65
<a href="#">ABPSG1.0-85</a>	3.77 x 10 <sup>-4</sup>	0.573	0.66	<a href="#">ABPSG1.0-85S</a>	3.84 x 10 <sup>-4</sup>	0.584	0.66
<a href="#">ABPSG1.0-90</a>	4.70 x 10 <sup>-4</sup>	0.627	0.69	<a href="#">ABPSG1.0-90S</a>	4.79 x 10 <sup>-4</sup>	0.639	0.69
<a href="#">ABPSG1.0-95</a>	5.81 x 10 <sup>-4</sup>	0.684	0.72	<a href="#">ABPSG1.0-95S</a>	5.92 x 10 <sup>-4</sup>	0.697	0.72
<a href="#">ABPSG1.0-100</a>	8.21 x 10 <sup>-4</sup>	0.900	0.85	<a href="#">ABPSG1.0-100S</a>	8.37 x 10 <sup>-4</sup>	0.917	0.85
<a href="#">ABPSG1.0-105</a>	9.73 x 10 <sup>-4</sup>	0.963	0.87	<a href="#">ABPSG1.0-105S</a>	9.91 x 10 <sup>-4</sup>	0.981	0.87
<a href="#">ABPSG1.0-110</a>	1.15 x 10 <sup>-3</sup>	1.029	0.90	<a href="#">ABPSG1.0-110S</a>	1.17 x 10 <sup>-3</sup>	1.049	0.90
<a href="#">ABPSG1.0-115</a>	1.35 x 10 <sup>-3</sup>	1.098	0.93	<a href="#">ABPSG1.0-115S</a>	1.38 x 10 <sup>-3</sup>	1.119	0.93
<a href="#">ABPSG1.0-120</a>	1.58 x 10 <sup>-3</sup>	1.170	0.95	<a href="#">ABPSG1.0-120S</a>	1.61 x 10 <sup>-3</sup>	1.193	0.95

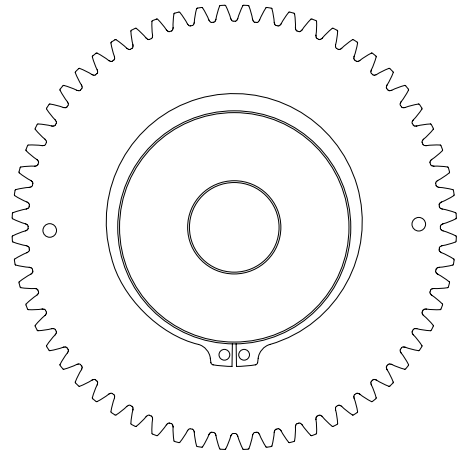
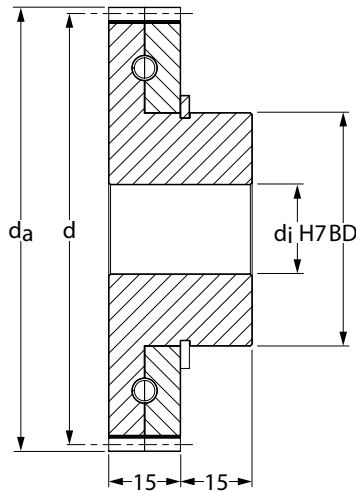
**ABPSG**  
**ABPSG-S**  
**1.5mn**

*CAD Drawings Available On Request*

# PRECISION GEARS

## 1.5 Module Anti-Backlash Spur Gear $\alpha$ 20° PA

Quality Grade 7e25 DIN 3961/3967 (AGMA Q10)



DIN 58405 Tooth Thickness tol.

Part Number		No. of Teeth	Ref. Dia.	Tip Dia.	Bore H7	Max. Bore H7	Hub Dia.
		<i>z</i>	<i>d</i>	<i>d<sub>a</sub></i>	<i>d<sub>j</sub></i>	<i>d<sub>j</sub></i>	<i>BD</i>
<a href="#">817M40T</a>	<a href="#">303 Stainless</a>						
<a href="#">ABPSG1.5-28</a>	<a href="#">ABPSG1.5-28S</a>	28	42.0	45.0	8	12	22
<a href="#">ABPSG1.5-29</a>	<a href="#">ABPSG1.5-29S</a>	29	43.5	46.5	8	12	22
<a href="#">ABPSG1.5-30</a>	<a href="#">ABPSG1.5-30S</a>	30	45.0	48.0	8	12	22
<a href="#">ABPSG1.5-32</a>	<a href="#">ABPSG1.5-32S</a>	32	48.0	51.0	8	12	22
<a href="#">ABPSG1.5-35</a>	<a href="#">ABPSG1.5-35S</a>	35	52.5	55.5	8	12	22
<a href="#">ABPSG1.5-38</a>	<a href="#">ABPSG1.5-38S</a>	38	57.0	60.0	8	12	22
<a href="#">ABPSG1.5-40</a>	<a href="#">ABPSG1.5-40S</a>	40	60.0	63.0	8	12	22
<a href="#">ABPSG1.5-42</a>	<a href="#">ABPSG1.5-42S</a>	42	63.0	66.0	10	20	35
<a href="#">ABPSG1.5-45</a>	<a href="#">ABPSG1.5-45S</a>	45	67.5	70.5	10	20	35
<a href="#">ABPSG1.5-48</a>	<a href="#">ABPSG1.5-48S</a>	48	72.0	75.0	10	20	35
<a href="#">ABPSG1.5-50</a>	<a href="#">ABPSG1.5-50S</a>	50	75.0	78.0	10	20	35
<a href="#">ABPSG1.5-52</a>	<a href="#">ABPSG1.5-52S</a>	52	78.0	81.0	10	20	35
<a href="#">ABPSG1.5-55</a>	<a href="#">ABPSG1.5-55S</a>	55	82.5	85.5	12	25	45
<a href="#">ABPSG1.5-58</a>	<a href="#">ABPSG1.5-58S</a>	58	87.0	90.0	12	25	45
<a href="#">ABPSG1.5-60</a>	<a href="#">ABPSG1.5-60S</a>	60	90.0	93.0	12	25	45
<a href="#">ABPSG1.5-62</a>	<a href="#">ABPSG1.5-62S</a>	62	93.0	96.0	12	25	45
<a href="#">ABPSG1.5-65</a>	<a href="#">ABPSG1.5-65S</a>	65	97.5	100.5	12	25	45
<a href="#">ABPSG1.5-68</a>	<a href="#">ABPSG1.5-68S</a>	68	102.0	105.0	14	40	65
<a href="#">ABPSG1.5-70</a>	<a href="#">ABPSG1.5-70S</a>	70	105.0	108.0	14	40	65
<a href="#">ABPSG1.5-72</a>	<a href="#">ABPSG1.5-72S</a>	72	108.0	111.0	14	40	65
<a href="#">ABPSG1.5-75</a>	<a href="#">ABPSG1.5-75S</a>	75	112.5	115.5	14	40	65
<a href="#">ABPSG1.5-78</a>	<a href="#">ABPSG1.5-78S</a>	78	117.0	120.0	14	40	65
<a href="#">ABPSG1.5-80</a>	<a href="#">ABPSG1.5-80S</a>	80	120.0	123.0	14	40	65
<a href="#">ABPSG1.5-82</a>	<a href="#">ABPSG1.5-82S</a>	82	123.0	126.0	14	40	65



+44 (0)1246 455500



+44 (0)1246 455522

**ondrives**



sales@ondrives.com



www.ondrives.com

Product information updated March 2017 and subject to change. Please click the product links for prices and availability.

**ABPSG**  
**ABPSG-S**  
**1.5m<sub>n</sub>**

*CAD*  
*Drawings*  
*Available*  
*On Request*

# PRECISION GEARS

## 1.5 Module Anti-Backlash Spur Gear α 20° PA

Quality Grade 7e25 DIN 3961/3967 (AGMA Q10)

Standard Part **ABPSG 1.5 50**

Modified Part **ABPSG 1.5 50 S 10 K T**

ABPSG - Precision Anti-Backlash Spur Gear  
 Quality Grade 7e DIN 3961/3967  
 Other Quality Grades available.  
 See Technical

m<sub>n</sub> Module - Cut with DIN 867 1.25/0.20/1.0  
 Ref. Tooth Profile Topping WD = 2.25 x m<sub>n</sub>

Number of Teeth **z**

Standard Material = 817M40T  
**S** = 303 Stainless Steel

**T** = 1 x Tapped hole    **2T** = 2 x Tapped holes  
**P** = 1 x Pin Hole      **PT** = 1 x Pin Hole through  
 All threads metric as standard.  
 See Technical

**K**- Keyway supplied to  
 DIN 6885 - Js9 tolerance.  
 See Technical

To specify different bore enter size required  
 Example: 10 = 10mm H7 etc  
 See Technical

η Efficiency approx. 98%

Part Number 817M40T	Inertia kgm <sup>2</sup>	Mass kg	Torque T <sub>2</sub> Nm n <sub>2</sub> 100 Rpm	Part Number 303 Stainless	Inertia kgm <sup>2</sup>	Mass kg	Torque T <sub>2</sub> Nm n <sub>2</sub> 100 Rpm
<a href="#">ABPSG1.5-28</a>	2.65 x 10 <sup>-5</sup>	0.194	0.68	<a href="#">ABPSG1.5-28S</a>	2.70 x 10 <sup>-5</sup>	0.198	0.68
<a href="#">ABPSG1.5-29</a>	3.06 x 10 <sup>-5</sup>	0.206	0.69	<a href="#">ABPSG1.5-29S</a>	3.12 x 10 <sup>-5</sup>	0.210	0.69
<a href="#">ABPSG1.5-30</a>	3.51 x 10 <sup>-5</sup>	0.218	0.71	<a href="#">ABPSG1.5-30S</a>	3.58 x 10 <sup>-5</sup>	0.222	0.71
<a href="#">ABPSG1.5-32</a>	4.59 x 10 <sup>-5</sup>	0.244	0.74	<a href="#">ABPSG1.5-32S</a>	4.68 x 10 <sup>-5</sup>	0.248	0.74
<a href="#">ABPSG1.5-35</a>	6.67 x 10 <sup>-5</sup>	0.285	0.80	<a href="#">ABPSG1.5-35S</a>	6.80 x 10 <sup>-5</sup>	0.291	0.80
<a href="#">ABPSG1.5-38</a>	9.42 x 10 <sup>-5</sup>	0.331	0.85	<a href="#">ABPSG1.5-38S</a>	9.60 x 10 <sup>-5</sup>	0.337	0.85
<a href="#">ABPSG1.5-40</a>	1.17 x 10 <sup>-4</sup>	0.363	0.88	<a href="#">ABPSG1.5-40S</a>	1.19 x 10 <sup>-4</sup>	0.370	0.88
<a href="#">ABPSG1.5-42</a>	1.53 x 10 <sup>-4</sup>	0.459	1.07	<a href="#">ABPSG1.5-42S</a>	1.56 x 10 <sup>-4</sup>	0.467	1.07
<a href="#">ABPSG1.5-45</a>	2.01 x 10 <sup>-4</sup>	0.513	1.12	<a href="#">ABPSG1.5-45S</a>	2.05 x 10 <sup>-4</sup>	0.522	1.12
<a href="#">ABPSG1.5-48</a>	2.60 x 10 <sup>-4</sup>	0.570	1.17	<a href="#">ABPSG1.5-48S</a>	2.65 x 10 <sup>-4</sup>	0.581	1.17
<a href="#">ABPSG1.5-50</a>	3.07 x 10 <sup>-4</sup>	0.611	1.20	<a href="#">ABPSG1.5-50S</a>	3.13 x 10 <sup>-4</sup>	0.623	1.20
<a href="#">ABPSG1.5-52</a>	3.60 x 10 <sup>-4</sup>	0.653	1.23	<a href="#">ABPSG1.5-52S</a>	3.67 x 10 <sup>-4</sup>	0.666	1.23
<a href="#">ABPSG1.5-55</a>	4.72 x 10 <sup>-4</sup>	0.785	1.47	<a href="#">ABPSG1.5-55S</a>	4.81 x 10 <sup>-4</sup>	0.800	1.47
<a href="#">ABPSG1.5-58</a>	5.81 x 10 <sup>-4</sup>	0.856	1.52	<a href="#">ABPSG1.5-58S</a>	5.92 x 10 <sup>-4</sup>	0.872	1.52
<a href="#">ABPSG1.5-60</a>	6.65 x 10 <sup>-4</sup>	0.905	1.55	<a href="#">ABPSG1.5-60S</a>	6.77 x 10 <sup>-4</sup>	0.922	1.55
<a href="#">ABPSG1.5-62</a>	7.57 x 10 <sup>-4</sup>	0.955	1.59	<a href="#">ABPSG1.5-62S</a>	7.72 x 10 <sup>-4</sup>	0.973	1.59
<a href="#">ABPSG1.5-65</a>	9.15 x 10 <sup>-4</sup>	1.034	1.64	<a href="#">ABPSG1.5-65S</a>	9.32 x 10 <sup>-4</sup>	1.054	1.64
<a href="#">ABPSG1.5-68</a>	1.23 x 10 <sup>-3</sup>	1.311	1.93	<a href="#">ABPSG1.5-68S</a>	1.26 x 10 <sup>-3</sup>	1.336	1.93
<a href="#">ABPSG1.5-70</a>	1.37 x 10 <sup>-3</sup>	1.368	1.97	<a href="#">ABPSG1.5-70S</a>	1.39 x 10 <sup>-3</sup>	1.394	1.97
<a href="#">ABPSG1.5-72</a>	1.52 x 10 <sup>-3</sup>	1.427	2.00	<a href="#">ABPSG1.5-72S</a>	1.55 x 10 <sup>-3</sup>	1.454	2.00
<a href="#">ABPSG1.5-75</a>	1.76 x 10 <sup>-3</sup>	1.518	2.06	<a href="#">ABPSG1.5-75S</a>	1.80 x 10 <sup>-3</sup>	1.547	2.06
<a href="#">ABPSG1.5-78</a>	2.05 x 10 <sup>-3</sup>	1.613	2.11	<a href="#">ABPSG1.5-78S</a>	2.08 x 10 <sup>-3</sup>	1.644	2.11
<a href="#">ABPSG1.5-80</a>	2.25 x 10 <sup>-3</sup>	1.679	2.15	<a href="#">ABPSG1.5-80S</a>	2.30 x 10 <sup>-3</sup>	1.711	2.15
<a href="#">ABPSG1.5-82</a>	2.48 x 10 <sup>-3</sup>	1.746	2.18	<a href="#">ABPSG1.5-82S</a>	2.52 x 10 <sup>-3</sup>	1.780	2.18



+44 (0)1246 455500



+44 (0)1246 455522

**ondrives**



sales@ondrives.com



www.ondrives.com

Product information updated March 2017 and subject to change. Please click the product links for prices and availability.

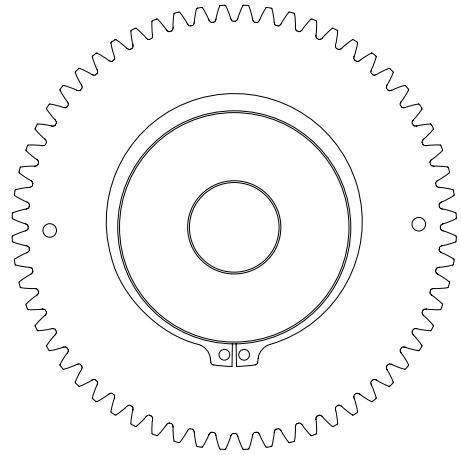
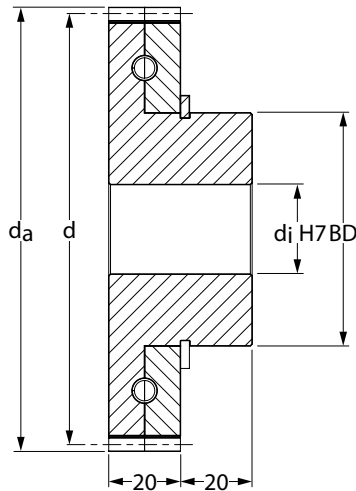
**ABPSG**  
**ABPSG-S**  
**2.0mn**

*CAD Drawings Available On Request*

# PRECISION GEARS

## 2.0 Module Anti-Backlash Spur Gear $\alpha$ 20° PA

Quality Grade 7e25 DIN 3961/3967 (AGMA Q10)



DIN 58405 Tooth Thickness tol.

Part Number		No. of Teeth	Ref. Dia.	Tip Dia.	Bore H7	Max. Bore H7	Hub Dia.
817M40T	303 Stainless	<i>z</i>	<i>d</i>	<i>d<sub>a</sub></i>	<i>d<sub>j</sub></i>	<i>d<sub>j</sub></i>	<i>BD</i>
<a href="#">ABPSG2.0-38</a>	<a href="#">ABPSG2.0-38S</a>	38	76	80	12	22	45
<a href="#">ABPSG2.0-40</a>	<a href="#">ABPSG2.0-40S</a>	40	80	84	12	22	55
<a href="#">ABPSG2.0-42</a>	<a href="#">ABPSG2.0-42S</a>	42	84	88	12	22	55
<a href="#">ABPSG2.0-45</a>	<a href="#">ABPSG2.0-45S</a>	45	90	94	12	22	55
<a href="#">ABPSG2.0-48</a>	<a href="#">ABPSG2.0-48S</a>	48	96	100	12	22	55
<a href="#">ABPSG2.0-50</a>	<a href="#">ABPSG2.0-50S</a>	50	100	104	16	40	65
<a href="#">ABPSG2.0-52</a>	<a href="#">ABPSG2.0-52S</a>	52	104	108	16	40	65
<a href="#">ABPSG2.0-55</a>	<a href="#">ABPSG2.0-55S</a>	55	110	114	16	40	65
<a href="#">ABPSG2.0-58</a>	<a href="#">ABPSG2.0-58S</a>	58	116	120	16	40	65
<a href="#">ABPSG2.0-60</a>	<a href="#">ABPSG2.0-60S</a>	60	120	124	16	40	65
<a href="#">ABPSG2.0-62</a>	<a href="#">ABPSG2.0-62S</a>	62	124	128	16	40	65



+44 (0)1246 455500



+44 (0)1246 455522

**ondrives**



sales@ondrives.com



www.ondrives.com

Product information updated March 2017 and subject to change. Please click the product links for prices and availability.

**ABPSG**  
**ABPSG-S**  
**2.0m<sub>n</sub>**

*CAD Drawings Available On Request*

# PRECISION GEARS

## 2.0 Module Anti-Backlash Spur Gear α 20° PA

Quality Grade 7e25 DIN 3961/3967 (AGMA Q10)

Standard Part **ABPSG 2.0-50**

Modified Part **ABPSG 2.0-50 S 20 K T**

ABPSG - Precision Anti-Backlash Spur Gear  
 Quality Grade 7e DIN 3961/3967  
 Other Quality Grades available.  
 See Technical

m<sub>n</sub> Module - Cut with DIN 867 1.25/0.20/1.0  
 Ref. Tooth Profile Topping WD = 2.25 x m<sub>n</sub>

Number of Teeth **z**

Standard Material = 817M40T  
**S** = 303 Stainless Steel

**T** = 1 x Tapped hole    **2T** = 2 x Tapped holes  
**P** = 1 x Pin Hole      **PT** = 1 x Pin Hole through  
 All threads metric as standard.  
 See Technical

**K**- Keyway supplied to  
 DIN 6885 - Js9 tolerance.  
 See Technical

To specify different bore enter size required  
 Example: 20 = 20mm H7 etc  
 See Technical

η Efficiency approx. 98%

Part Number 817M40T	Inertia kgm <sup>2</sup>	Mass kg	Torque T <sub>2</sub> Nm n <sub>2</sub> 100 Rpm	Part Number 303 Stainless	Inertia kgm <sup>2</sup>	Mass kg	Torque T <sub>2</sub> Nm n <sub>2</sub> 100 Rpm
<a href="#">ABPSG2.0-38</a>	4.38 x 10 <sup>-4</sup>	0.920	2.74	<a href="#">ABPSG2.0-38S</a>	4.47 x 10 <sup>-4</sup>	0.937	2.74
<a href="#">ABPSG2.0-40</a>	6.07 x 10 <sup>-4</sup>	1.119	2.84	<a href="#">ABPSG2.0-40S</a>	6.18 x 10 <sup>-4</sup>	1.141	2.84
<a href="#">ABPSG2.0-42</a>	7.18 x 10 <sup>-4</sup>	1.200	2.94	<a href="#">ABPSG2.0-42S</a>	7.32 x 10 <sup>-4</sup>	1.223	2.94
<a href="#">ABPSG2.0-45</a>	9.21 x 10 <sup>-4</sup>	1.328	3.09	<a href="#">ABPSG2.0-45S</a>	9.38 x 10 <sup>-4</sup>	1.353	3.09
<a href="#">ABPSG2.0-48</a>	1.17 x 10 <sup>-3</sup>	1.465	3.24	<a href="#">ABPSG2.0-48S</a>	1.19 x 10 <sup>-3</sup>	1.493	3.24
<a href="#">ABPSG2.0-50</a>	1.45 x 10 <sup>-3</sup>	1.681	3.96	<a href="#">ABPSG2.0-50S</a>	1.48 x 10 <sup>-3</sup>	1.713	3.96
<a href="#">ABPSG2.0-52</a>	1.67 x 10 <sup>-3</sup>	1.781	4.06	<a href="#">ABPSG2.0-52S</a>	1.71 x 10 <sup>-3</sup>	1.815	4.06
<a href="#">ABPSG2.0-55</a>	2.06 x 10 <sup>-3</sup>	1.939	4.20	<a href="#">ABPSG2.0-55S</a>	2.10 x 10 <sup>-3</sup>	1.976	4.20
<a href="#">ABPSG2.0-58</a>	2.52 x 10 <sup>-3</sup>	2.105	4.35	<a href="#">ABPSG2.0-58S</a>	2.57 x 10 <sup>-3</sup>	2.146	4.35
<a href="#">ABPSG2.0-60</a>	2.87 x 10 <sup>-3</sup>	2.221	4.45	<a href="#">ABPSG2.0-60S</a>	2.93 x 10 <sup>-3</sup>	2.264	4.45
<a href="#">ABPSG2.0-62</a>	3.26 x 10 <sup>-3</sup>	2.341	4.55	<a href="#">ABPSG2.0-62S</a>	3.32 x 10 <sup>-3</sup>	2.386	4.55



+44 (0)1246 455500



+44 (0)1246 455522

**ondrives**



sales@ondrives.com



www.ondrives.com

Product information updated March 2017 and subject to change. Please click the product links for prices and availability.



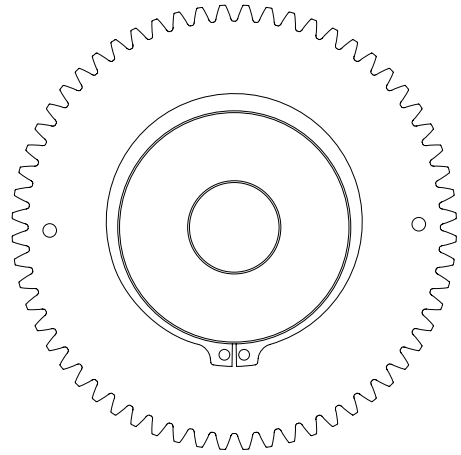
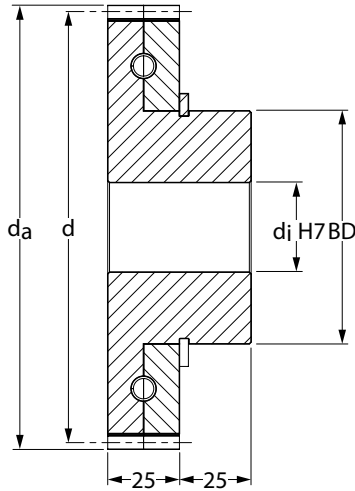
**ABPSG**  
**ABPSG-S**  
**2.5mn**

*CAD Drawings Available On Request*

# PRECISION GEARS

## 2.5 Module Anti-Backlash Spur Gear $\alpha$ 20° PA

Quality Grade 7e25 DIN 3961/3967 (AGMA Q10)



DIN 58405 Tooth Thickness tol.

Part Number		No. of Teeth	Ref. Dia.	Tip Dia.	Bore H7	Max. Bore H7	Hub Dia.
817M40T	303 Stainless	<i>z</i>	<i>d</i>	<i>d<sub>a</sub></i>	<i>d<sub>j</sub></i>	<i>d<sub>j</sub></i>	<i>BD</i>
<a href="#">ABPSG2.5-30</a>	<a href="#">ABPSG2.5-30S</a>	30	75.0	80.0	12	20	35
<a href="#">ABPSG2.5-32</a>	<a href="#">ABPSG2.5-32S</a>	32	80.0	85.0	14	25	45
<a href="#">ABPSG2.5-35</a>	<a href="#">ABPSG2.5-35S</a>	35	87.5	92.5	14	25	45
<a href="#">ABPSG2.5-38</a>	<a href="#">ABPSG2.5-38S</a>	38	95.0	100.0	14	25	45
<a href="#">ABPSG2.5-40</a>	<a href="#">ABPSG2.5-40S</a>	40	100.0	105.0	14	25	45
<a href="#">ABPSG2.5-42</a>	<a href="#">ABPSG2.5-42S</a>	42	105.0	110.0	16	40	65
<a href="#">ABPSG2.5-45</a>	<a href="#">ABPSG2.5-45S</a>	45	112.5	117.5	16	40	65
<a href="#">ABPSG2.5-48</a>	<a href="#">ABPSG2.5-48S</a>	48	120.0	125.0	16	40	65
<a href="#">ABPSG2.5-50</a>	<a href="#">ABPSG2.5-50S</a>	50	125.0	130.0	16	40	65



+44 (0)1246 455500



+44 (0)1246 455522

**ondrives**



sales@ondrives.com



www.ondrives.com

Product information updated March 2017 and subject to change. Please click the product links for prices and availability.

**ABPSG**  
**ABPSG-S**  
**2.5m<sub>n</sub>**

*CAD Drawings Available On Request*

# PRECISION GEARS

## 2.5 Module Anti-Backlash Spur Gear α 20° PA

Quality Grade 7e25 DIN 3961/3967 (AGMA Q10)

Standard Part **ABPSG 2.5 50**

Modified Part **ABPSG 2.5 50 S 20 K T**

ABPSG - Precision Anti-Backlash Spur Gear  
 Quality Grade 7e DIN 3961/3967  
 Other Quality Grades available.  
 See Technical

m<sub>n</sub> Module - Cut with DIN 867 1.25/0.20/1.0  
 Ref. Tooth Profile Topping WD = 2.25 x m<sub>n</sub>

Number of Teeth **z**

Standard Material = 817M40T  
**S** = 303 Stainless Steel

**T** = 1 x Tapped hole    **2T** = 2 x Tapped holes  
**P** = 1 x Pin Hole      **PT** = 1 x Pin Hole through  
 All threads metric as standard.  
 See Technical

**K**- Keyway supplied to  
 DIN 6885 - Js9 tolerance.  
 See Technical

To specify different bore enter size required  
 Example: 20 = 20mm H7 etc  
 See Technical

η Efficiency approx. 98%

Part Number 817M40T	Inertia kgm <sup>2</sup>	Mass kg	Torque T <sub>2</sub> Nm n <sub>2</sub> 100 Rpm	Part Number 303 Stainless	Inertia kgm <sup>2</sup>	Mass kg	Torque T <sub>2</sub> Nm n <sub>2</sub> 100 Rpm
<a href="#">ABPSG2.5-30</a>	4.54 x 10 <sup>-4</sup>	1.002	2.73	<a href="#">ABPSG2.5-30S</a>	4.63 x 10 <sup>-4</sup>	1.021	2.73
<a href="#">ABPSG2.5-32</a>	6.25 x 10 <sup>-4</sup>	1.228	3.13	<a href="#">ABPSG2.5-32S</a>	6.37 x 10 <sup>-4</sup>	1.251	3.13
<a href="#">ABPSG2.5-35</a>	8.92 x 10 <sup>-4</sup>	1.420	3.33	<a href="#">ABPSG2.5-35S</a>	9.09 x 10 <sup>-4</sup>	1.447	3.33
<a href="#">ABPSG2.5-38</a>	1.24 x 10 <sup>-3</sup>	1.629	3.52	<a href="#">ABPSG2.5-38S</a>	1.27 x 10 <sup>-3</sup>	1.661	3.52
<a href="#">ABPSG2.5-40</a>	1.54 x 10 <sup>-3</sup>	1.779	3.66	<a href="#">ABPSG2.5-40S</a>	1.56 x 10 <sup>-3</sup>	1.813	3.66
<a href="#">ABPSG2.5-42</a>	2.09 x 10 <sup>-3</sup>	2.256	4.31	<a href="#">ABPSG2.5-42S</a>	2.13 x 10 <sup>-3</sup>	2.299	4.31
<a href="#">ABPSG2.5-45</a>	2.71 x 10 <sup>-3</sup>	2.506	4.51	<a href="#">ABPSG2.5-45S</a>	2.76 x 10 <sup>-3</sup>	2.554	4.51
<a href="#">ABPSG2.5-48</a>	3.47 x 10 <sup>-3</sup>	2.774	4.71	<a href="#">ABPSG2.5-48S</a>	3.54 x 10 <sup>-3</sup>	2.827	4.71
<a href="#">ABPSG2.5-50</a>	4.07 x 10 <sup>-3</sup>	2.962	4.84	<a href="#">ABPSG2.5-50S</a>	4.15 x 10 <sup>-3</sup>	3.018	4.84



+44 (0)1246 455500



+44 (0)1246 455522

**ondrives**



sales@ondrives.com



www.ondrives.com

Product information updated March 2017 and subject to change. Please click the product links for prices and availability.

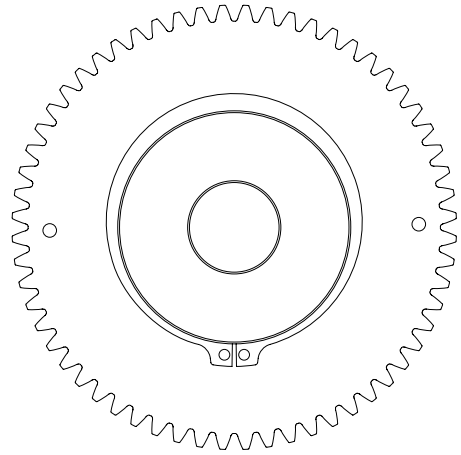
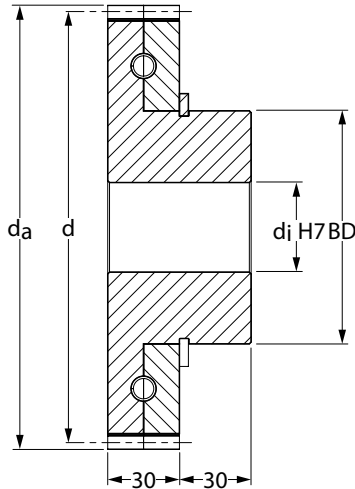
**ABPSG**  
**ABPSG-S**  
**3.0mn**

*CAD Drawings Available On Request*

# PRECISION GEARS

## 3.0 Module Anti-Backlash Spur Gear $\alpha$ 20° PA

Quality Grade 7e25 DIN 3961/3967 (AGMA Q10)



DIN 58405 Tooth Thickness tol.

Part Number		No. of Teeth	Ref. Dia.	Tip Dia.	Bore H7	Max. Bore H7	Hub Dia.
817M40T	303 Stainless	<i>z</i>	<i>d</i>	<i>da</i>	<i>dj</i>	<i>dj</i>	<i>BD</i>
<a href="#">ABPSG3.0-25</a>	<a href="#">ABPSG3.0-25S</a>	25	75	81	12	16	35
<a href="#">ABPSG3.0-26</a>	<a href="#">ABPSG3.0-26S</a>	26	78	84	12	16	35
<a href="#">ABPSG3.0-27</a>	<a href="#">ABPSG3.0-27S</a>	27	81	87	12	16	35
<a href="#">ABPSG3.0-28</a>	<a href="#">ABPSG3.0-28S</a>	28	84	90	12	16	35
<a href="#">ABPSG3.0-29</a>	<a href="#">ABPSG3.0-29S</a>	29	87	93	12	16	35
<a href="#">ABPSG3.0-30</a>	<a href="#">ABPSG3.0-30S</a>	30	90	96	14	30	50
<a href="#">ABPSG3.0-32</a>	<a href="#">ABPSG3.0-32S</a>	32	96	102	14	30	50
<a href="#">ABPSG3.0-35</a>	<a href="#">ABPSG3.0-35S</a>	35	105	111	14	30	50
<a href="#">ABPSG3.0-38</a>	<a href="#">ABPSG3.0-38S</a>	38	114	120	14	30	50
<a href="#">ABPSG3.0-40</a>	<a href="#">ABPSG3.0-40S</a>	40	120	126	16	40	65



+44 (0)1246 455500



+44 (0)1246 455522

**ondrives**



sales@ondrives.com



www.ondrives.com

Product information updated March 2017 and subject to change. Please click the product links for prices and availability.

**ABPSG**  
**ABPSG-S**  
**3.0m<sub>n</sub>**

*CAD Drawings Available On Request*

# PRECISION GEARS

## 3.0 Module Anti-Backlash Spur Gear α 20° PA

Quality Grade 7e25 DIN 3961/3967 (AGMA Q10)

Standard Part **ABPSG 3.0-40**

Modified Part **ABPSG 3.0-40 S 20 K T**

ABPSG - Precision Anti-Backlash Spur Gear  
 Quality Grade 7e DIN 3961/3967  
 Other Quality Grades available.  
 See Technical

m<sub>n</sub> Module - Cut with DIN 867 1.25/0.20/1.0  
 Ref. Tooth Profile Topping WD = 2.25 x m<sub>n</sub>

Number of Teeth **z**

Standard Material = 817M40T  
**S** = 303 Stainless Steel

**T** = 1 x Tapped hole    **2T** = 2 x Tapped holes  
**P** = 1 x Pin Hole      **PT** = 1 x Pin Hole through  
 All threads metric as standard.  
 See Technical

**K**- Keyway supplied to  
 DIN 6885 - Js9 tolerance.  
 See Technical

To specify different bore enter size required  
 Example: 20 = 20mm H7 etc  
 See Technical

η Efficiency approx. 98%

Part Number 817M40T	Inertia kgm <sup>2</sup>	Mass kg	Torque T <sub>2</sub> Nm n <sub>2</sub> 100 Rpm	Part Number 303 Stainless	Inertia kgm <sup>2</sup>	Mass kg	Torque T <sub>2</sub> Nm n <sub>2</sub> 100 Rpm
<a href="#">ABPSG3.0-25</a>	5.24 x 10 <sup>-4</sup>	1.201	4.19	<a href="#">ABPSG3.0-25S</a>	5.34 x 10 <sup>-4</sup>	1.224	4.19
<a href="#">ABPSG3.0-26</a>	6.16 x 10 <sup>-4</sup>	1.286	4.31	<a href="#">ABPSG3.0-26S</a>	6.28 x 10 <sup>-4</sup>	1.310	4.31
<a href="#">ABPSG3.0-27</a>	7.21 x 10 <sup>-4</sup>	1.373	4.43	<a href="#">ABPSG3.0-27S</a>	7.34 x 10 <sup>-4</sup>	1.399	4.43
<a href="#">ABPSG3.0-28</a>	8.39 x 10 <sup>-4</sup>	1.464	4.55	<a href="#">ABPSG3.0-28S</a>	8.55 x 10 <sup>-4</sup>	1.492	4.55
<a href="#">ABPSG3.0-29</a>	9.72 x 10 <sup>-4</sup>	1.558	4.68	<a href="#">ABPSG3.0-29S</a>	9.90 x 10 <sup>-4</sup>	1.587	4.68
<a href="#">ABPSG3.0-30</a>	1.20 x 10 <sup>-3</sup>	1.872	5.41	<a href="#">ABPSG3.0-30S</a>	1.22 x 10 <sup>-3</sup>	1.907	5.41
<a href="#">ABPSG3.0-32</a>	1.55 x 10 <sup>-3</sup>	2.076	5.66	<a href="#">ABPSG3.0-32S</a>	1.58 x 10 <sup>-3</sup>	2.116	5.66
<a href="#">ABPSG3.0-35</a>	2.22 x 10 <sup>-3</sup>	2.408	6.02	<a href="#">ABPSG3.0-35S</a>	2.26 x 10 <sup>-3</sup>	2.455	6.02
<a href="#">ABPSG3.0-38</a>	3.10 x 10 <sup>-3</sup>	2.771	6.39	<a href="#">ABPSG3.0-38S</a>	3.16 x 10 <sup>-3</sup>	2.823	6.39
<a href="#">ABPSG3.0-40</a>	4.04 x 10 <sup>-3</sup>	3.325	7.25	<a href="#">ABPSG3.0-40S</a>	4.12 x 10 <sup>-3</sup>	3.389	7.25



+44 (0)1246 455500



+44 (0)1246 455522

**ondrives**



sales@ondrives.com



www.ondrives.com

Product information updated March 2017 and subject to change. Please click the product links for prices and availability.